

# Shower system with thermostat for wall mounting

MODEL # 26379

GROHE America, Inc | 200 North Gary Avenue, Suite G, Roselle, IL 60172  
Phone: +1 (800) 444-7643 | Fax: +1 (800) 225-2778 | us-customerservice@grohe.com

Pure Freude an Wasser

**GROHE**



**Product Description:**  
Shower system with thermostat for wall mounting

**Standard Specification:**

- Consisting of:
- Horizontal 500 mm shower arm\*
  - Exposed SmartControl thermostat
  - Allows change between:
    - Head shower and hand shower (to be ordered separately)\*\*
    - Hand shower wall holder (27 055 000)
  - GROHE StarLight®** finish
  - GROHE CoolTouch** No risk of scalding
  - GROHE TurboStat®** Compact cartridge with wax thermostatic element
  - Safety stop at 100°F
  - SmartControl push for ON-OFF, turn for volume adjustment from EcoJoy to Full Flow
  - GROHE EasyReach shower tray made of safety glass
  - Inner WaterGuide** for a longer life
  - Twistfree** to prevent hose from twisting
- \*Shower head weight of up to 2 kg acceptable  
\*\* Recommended: Veris shower head (27 471 000); Power & Soul hand shower (27 673 000)

**Color:**  
 26379 000 chrome

# RAINSHOWER® VERIS 300

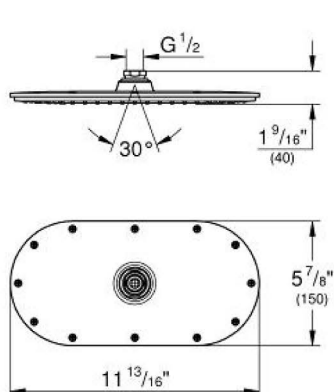
Head shower 1 spray

MODEL # 27471

GROHE America, Inc | 200 North Gary Avenue, Suite G, Roselle, IL 60172  
Phone: +1 (800) 444-7643 | Fax: +1 (800) 225-2778 | us-customerservice@grohe.com

Pure Freude an Wasser

**GROHE**



**Product Description:**  
Head shower 1 spray

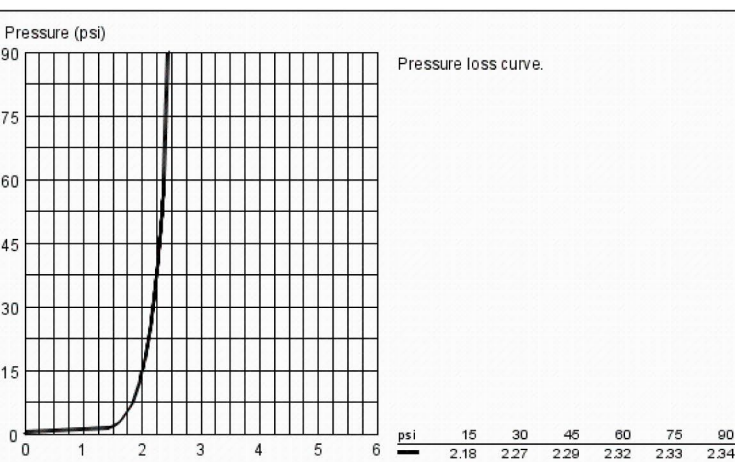
**Standard Specification:**

- Rain spray
- 11 13/16" x 5 15/16"
- Metal
- Ball joint with turning angle ± 15°
- 1/2" Connection thread
- GROHE EcoJoy®** 2.4 g flow limiter
- GROHE DreamSpray®** perfect spray pattern
- GROHE StarLight®** finish
- SpeedClean®** anti-lime system

**Applicable Codes & Standards:**

- Energy Policy Act of 1992
- ASME A112.18.1/CSA B125.1

**Color:**  
 27471 000 chrome



# POWER&SOUL® 130

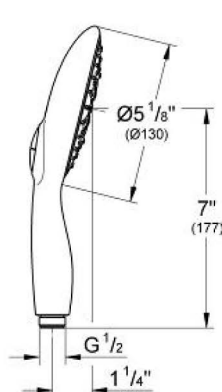
Hand Shower

MODEL # 27673

GROHE America, Inc | 200 North Gary Avenue, Suite G, Roselle, IL 60172  
Phone: +1 (800) 444-7643 | Fax: +1 (800) 225-2778 | us-customerservice@grohe.com

Pure Freude an Wasser

**GROHE**



**Product Description:**  
Hand Shower

**Standard Specification:**

- GROHE Rain O<sup>2</sup>, Rain, • **GROHE EcoJoy®** 2.4 g flow limiter
- GROHE DreamSpray®** perfect spray pattern
- GROHE One-click showering** spray selection via push button
- GROHE StarLight®** finish
- SpeedClean®** anti-lime system
- Inner WaterGuide** for a longer life
- Universal mounting system (fits all standard shower hoses)
- Suitable for instantaneous heater
- Max Flow Rate 2.5 gpm (9.5 L/min)
- Min. recommended pressure: 15 psi

**Applicable Codes & Standards:**

- Energy Policy Act of 1992
- ASME A112.18.1/CSA B125.1

**Color:**  
 27673 000 chrome  
 27673 EN0 brushed nickel

