

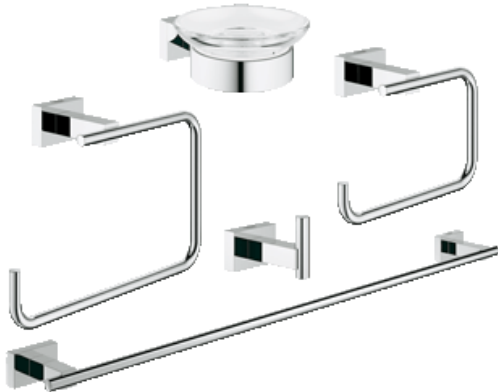
ESSENTIALS CUBE

MODEL # 40758

Pure Freude an Wasser



GROHE America, Inc | 200 North Gary Avenue, Suite G, Roselle, IL 60172
Phone: +1 (800) 444-7643 | Fax: +1 (800) 225-2778 | us-customerservice@grohe.com



Product Description:

Standard Specification:

- GROHE StarLight® finish

Color:

- 40758 001 chrome

