

29331

PLUS PRESSURE BALANCE VALVE TRIM WITH CARTRIDGE

Pure Freude
an Wasser






STANDARD SPECIFICATION:

- GROHE StarLight®
- GROHE SilkMove®
- Metal handle
- Metal trim plate with GROHE QuickFix®
- Includes pressure balance cartridge with double ceramic technology
- Flow Rate: 5.2gpm (bottom) and 3.0 gpm (top port) at 45 psi (19 l/min)
- For use with GrohSafe 3.0 Rough-in Valve (35 110, 35 111, 35 112, 35 113, 35 114, 35 115, 35 116)



PRODUCT FEATURES:

-  GROHE StarLight®
-  GROHE SilkMove®
-  GROHE QuickFix®

CERTIFICATIONS:



- ADA
- CSA B125.1
- ASME A112.18.1

AVAILABLE FINISHES:

29331003

 StarLight® Chrome

29331EN3

 Brushed Nickel InfinityFinish™

NOTE: Install this product according to the installation guide. ADA, CSA compliant when installed to the specific requirements of these regulations.

Tel: 1.630.582.7711 Fax: 1.630.582.7722

We reserve the right to make revisions without notice to product specifications.

For the most current Specification Sheet, go to www.grohe.us.

03-19-2020

PART OF **LIXIL**

29331

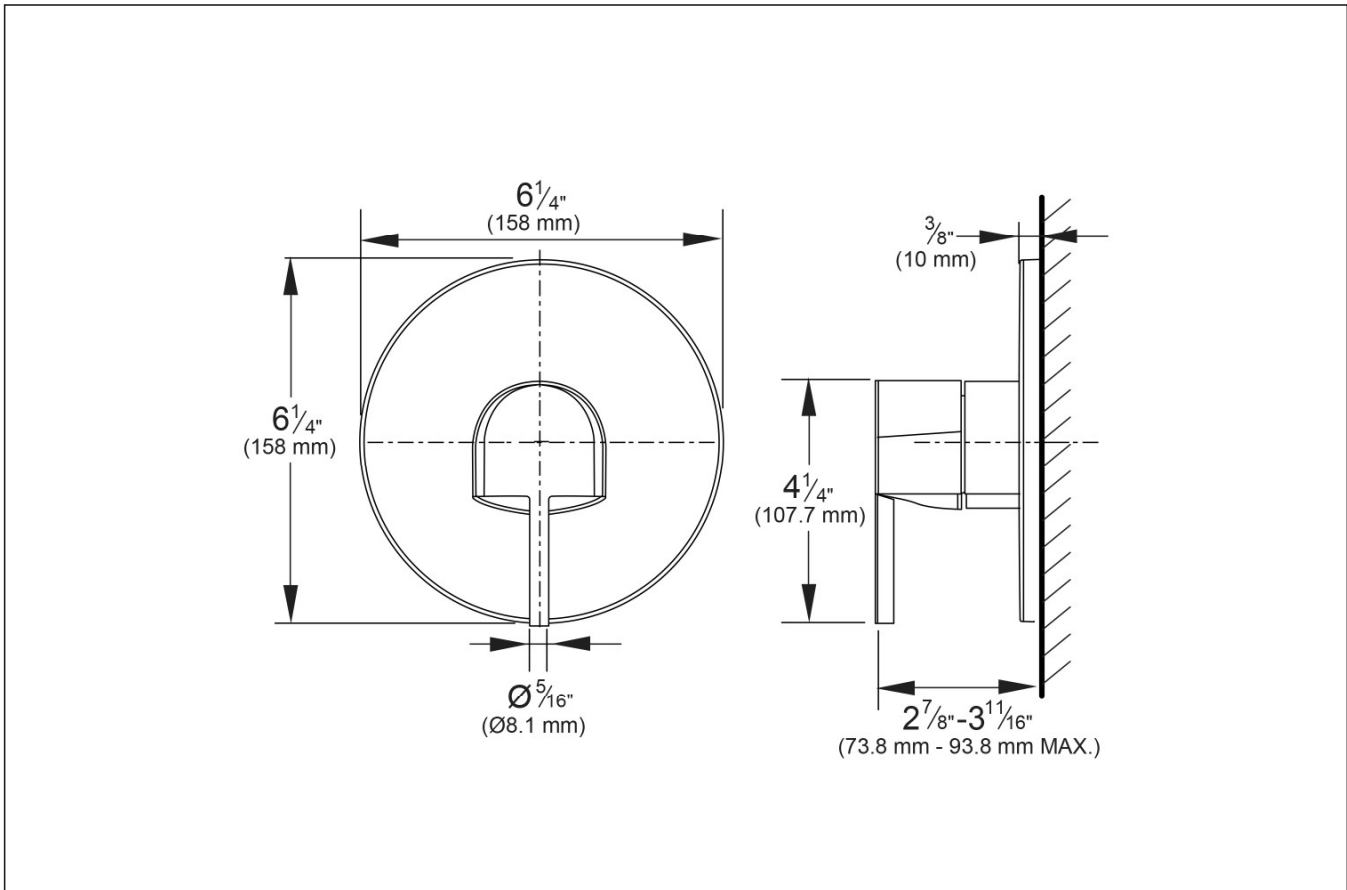
PLUS PRESSURE BALANCE VALVE TRIM WITH CARTRIDGE

Pure Freude
an Wasser



TECHNICAL DATA:

Product Height	6-1/4 in
Product Length	6-1/4 in
Product Width	3-11/16 in



Tel: 1.630.582.7711 Fax: 1.630.582.7722
We reserve the right to make revisions without notice to product specifications.
For the most current Specification Sheet, go to www.grohe.us.
03-19-2020

PART OF LIXIL

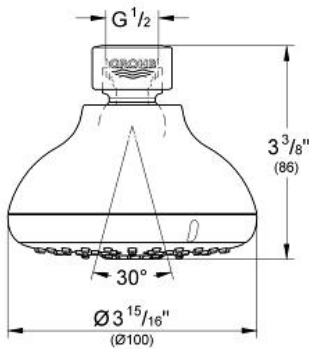
NEW TEMPESTA 100 Shower Head 4 Sprays

MODEL # 27606001

Pure Freude an Wasser

GROHE

GROHE America, Inc | 200 North Gary Avenue, Suite G, Roselle, IL 60172
Phone: +1 (800) 444-7643 | Fax: +1 (800) 225-2778 | us-customerservice@grohe.com



Product Description: Shower Head 4 Sprays

Standard Specification:

- 4 Sprays: GROHE Rain O², Rain, Massage and Jet
- Rotating ball joint ± 15°
- 1/2" Connection thread
- 2.5 gpm (9.5 l/min) flow limiter
- **GROHE DreamSpray** perfect spray pattern
- **GROHE StarLight** chrome finish
- **SpeedClean**® anti-lime system
- Inner WaterGuide for a longer life
- Max Flow Rate 2.5 gpm (9.5 L/min)
- Min. recommended pressure: 15 psi

Applicable Codes & Standards:

- Energy Policy Act of 1992
- ASME A112.18.1/CSA B125.1

Color:

- 27606001 StarLight Chrome

5 5/8" Tubular Shower Arm

MODEL # 27414

Pure Freude an Wasser

GROHE

GROHE America, Inc | 200 North Gary Avenue, Suite G, Roselle, IL 60172
Phone: +1 (800) 444-7643 | Fax: +1 (800) 225-2778 | us-customerservice@grohe.com



Product Description:

5 5/8" Tubular Shower Arm

Standard Specification:

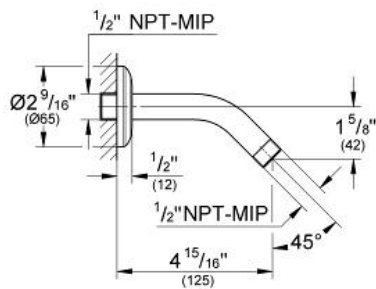
- 1/2" Connection thread
- Projection 5 5/8"
- GROHE StarLight® finish

Applicable Codes & Standards:

- Energy Policy Act of 1992
- ASME A112.18.1/CSA B125.1

Color:

- 27414 000 chrome
- 27414 EN0 brushed nickel



GROHSAFE 3.0
Shower Rough-In Valve
MODEL # 35110000

*Pure Freude
an Wasser*



Product Description:
GROHSAFE 3.0
Shower Rough-In Valve

Standard Specification:

- 1/2" Universal inlets
- 1/2" Universal outlets
- Handle limit stop
- Includes plug for 3-port installation
- Universal connection is 1/2" male threads by copper sweat
- Service stops
- Max flow rate (top port) 3.0 gpm at 45 psi (11 l/min), (bottom port) 5.2 gpm at 45 psi (19 l/min)
- Cartridge ships with the trim

Color:

- 35110000 Starlight Chrome