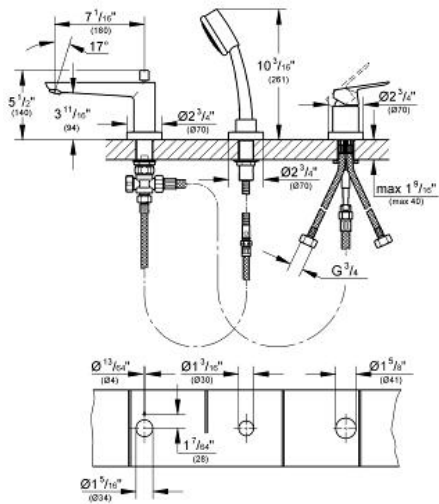


BAULOOP
Roman Tub Filler
MODEL # 19592

Pure Freude an Wasser



GROHE America, Inc | 200 North Gary Avenue, Suite G, Roselle, IL 60172
Phone: +1 (800) 444-7643 | Fax: +1 (800) 225-2778 | us-customerservice@grohe.com



Product Description:
Roman Tub Filler

Standard Specification:

- OHM operating element
- 1 13/16" ceramic cartridge
- Metal lever
- Bath spout with flow control and diverter
- Hand shower New Tempesta Cosmopolitan 100, 1 spray, 2.0 gal (26 082 001)
- 79" metal shower hose
- Stainless Steel Braided Flexible Supplies
- Chrome Finish
- Max Flow Rate 7 gpm (26.5 L/min), 2.5 gpm (9.5 L/min) for Shower Hand

Applicable Codes & Standards:

- Energy Policy Act of 1992
- ASME A112.18.1/CSA B125.1
- US Federal and State material regulations
- ICC/ANSI A117.1

Color:

- 19592 000 chrome