

OSW-P – 120/277V PIR/Single Level Wall Switch Sensor (Ground Required)

Catalog#	Prepared by
Project	Date
Comments	Type

Overview

The OSW-P-1001-MV Passive Infrared Single Level or 3-way Occupancy Sensing Wall Switch is a motion sensing lighting control and conventional wall switch all-in-one that is used to for energy savings and convenience.

Features

- Replaces single or 3-way switches
- No neutral wire
- Integral Daylight Sensor
- Choice of Manual On or Auto On operation
- Works with Incandescent, LED, Fluorescent, CFL, MLV, ELV or 1/2 HP motor load
- NEMA WD7 Standard robotic method utilized to verify coverage patterns

Reinforced color matched tamper resistant lens



EATON

Powering Business Worldwide

Specifications

Technology	Passive Infrared (PIR)
Electrical Ratings	<p>120 VAC: Incandescent/Magnetic Low Voltage/Magnetic Ballast – Max. load: 15A, 1800W, 60 Hz</p> <p>LED/Compact Fluorescent/Electronic Low Voltage/Electronic Ballast – Max. load: 10A, 1200W, 60 Hz</p> <p>Motor Load: 1/2 HP @ 125 VAC</p>
	<p>277 VAC: Magnetic Low Voltage/Magnetic Ballast/LED/Compact Fluorescent/Electronic Low Voltage/Electronic Ballast - Max. Load: 8A, 2200W, 60 Hz</p>
No Minimum Load Requirement	
Time Delays	Selectable 5 seconds/test, 5 minutes (factory default), 10 and 30 minutes
Coverage	Major motion - 1000 sq. ft. Minor motion - 300 sq. ft.
Light Level Sensing	0 to 200 foot-candles
Operating Environment	Temperature: 32°F – 104°F (0°C to 40°C) Relative humidity: 20% to 90% non-condensing For indoor use only
Housing	Durable, injection molded housing. Resin complies with UL 94V-0
Size	Mounting Plate/Strap Dimensions: 4.2" H x 1.8" W (106.5mm x 46mm) Product Housing Dimensions: 2.87" H x 1.6" W x 1.42" D (72.8mm x 40.7mm x 36mm)
LED Indicators	Red LED for Ultrasonic detection
Standards	FCC Compliant cULus Listed RoHS Compliant

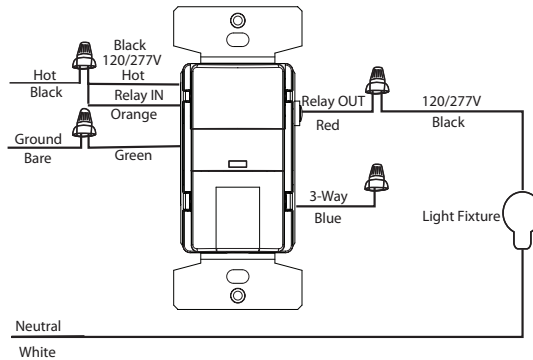


Applications

- Private offices
- Small conference rooms
- Lunch/break rooms
- Small classrooms
- Small restrooms (no stalls)
- Small lounge rooms
- Small waiting rooms
- Small closets
- Small storage areas

Wiring Diagram

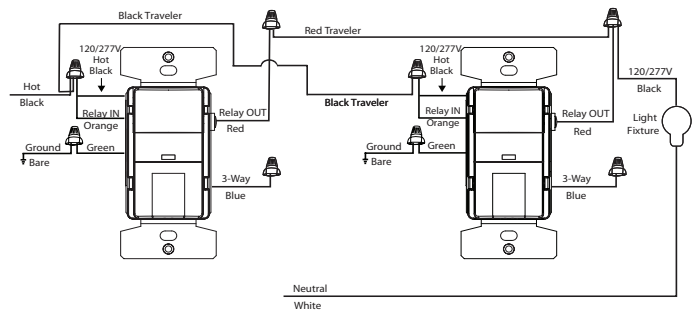
Single Level Switching



Description/Operation

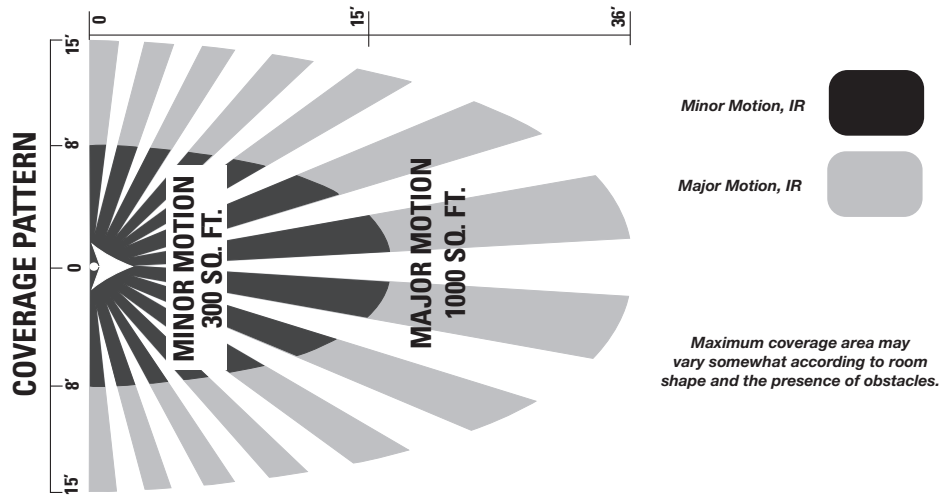
OSW-P-1001-MV is designed to detect motion from a heat-emitting source (such as a person entering a room) within its field-of-view and automatically switch lights ON. These sensors have multi-segmented lenses. For units to sense motion, the person must cross between two segments. The distance between segments increases the farther you are from the sensor, so motion has to be larger the farther you are from the unit. PIR sensors are considered line-of-sight sensors, meaning that the sensor must be able to have a direct line-of-sight to the person making the motion. In Automatic On Mode, the lights turn ON when a person enters the room. In Manual On Mode, the lights are turned ON by pressing the pushbutton. The sensor provides true multi-way ON/OFF control. When lights have been activated, the lights will remain ON as long as one of the sensor(s) continue to detect motion. The occupant may manually turn OFF the lighting by pressing the ON/OFF button on any of the connected devices. If the room becomes vacant and the lights are ON, the lights will turn OFF when the unit that detected motion last times-out.

Three-way wiring

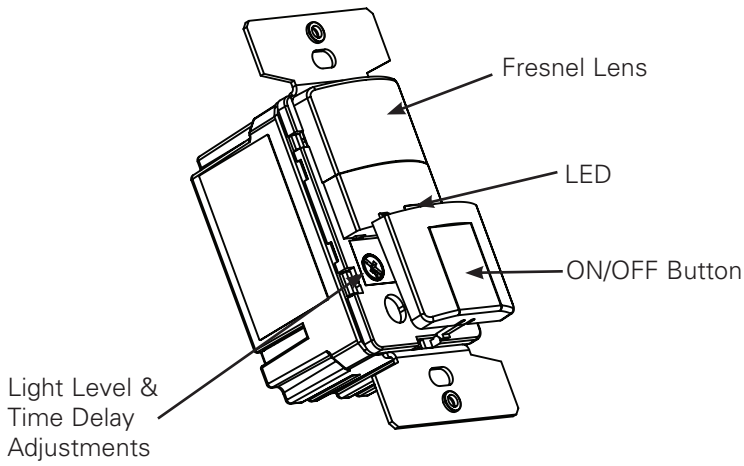


*For additional wiring diagrams refer to Installation Instructions

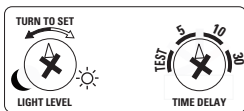
Coverage



Controls



Light Levels & Time Delay Adjustments



Ordering

*Wallplate Not Included

Catalog #	Ratings	Coverage	Voltage
OSW-P-1001-MV-*	Incandescent: 0 - 1800W @ 120V	180°; 1000 sq. ft.	120/277 VAC
(* - W, V, LA, G, B)	Fluorescent: 0 - 1200W @ 120V		60 Hz
	Fluorescent: 0 - 2200W @ 277V		
	Max. Load/Relay		

* White, Ivory, Light Almond, Gray, Black

Note: Not all colors are available in stock and some color options may have extended lead times.

Eaton
1000 Eaton Boulevard
Cleveland, OH 44122
United States
Eaton.com

Eaton's Cooper Controls Business
203 Cooper Circle
Peachtree City, GA 30269
coopercontrol.com

© 2014 Eaton
All Rights Reserved
Printed in USA
Publication No. ACC140985
November 3, 2014

Eaton is a registered trademark.
All other trademarks are property
of their respective owners.