

LK16 & LK32 – LiteKeeper 16 & 32

Catalog#	Prepared by
Project	Date
Comments	Type

Overview

The LiteKeeper stand-alone lighting control panel is an all-inclusive premium grade system for applications that would traditionally use a timeclock in conjunction with contactors. Control up to 32 relays per panel. Several relay options and more standard features than any other stand-alone panel on the market combine to create a state of the art stand-alone lighting control system.


Features

- Capable of mixed load voltages (120/277/347 VAC) as well as mixed sources (i.e. normal and emergency power)
- Manual and programmable control of each relay via a simple keypad and 4 line LCD display
- Normally open, latched, and two pole parallel relays available
- Flush mount kit and voltage separation barrier available
- Capable of controlling receptacle loads
- LED ready



August 2016

Specifications

Enclosure	NEMA 1 surface mount, lockable
Size	LK16: 18"H x 15"W x 6.25"D (up to 16 relays) LK32: 30"H x 15"W x 6.25"D (up to 32 relays)
Transformer Ratings	Multi-tapped 120/277 VAC internally fused standard Optional 347 VAC internally fused
Power Use Ratings	Fully loaded panel 75 watts
Operating Environment	Temperature: 32°F to 122°F (0°C to 50°C)
Master Override	ON/AUTO/OFF
Programming	Onboard keypad and LCD display Optional PC Software
Standard Relay Ratings	20A, 120/277VAC per relay 10A, 120/277VAC electronic Ballast, (LED) Normally open Max wire size: 10 AWG Mechanical operations: 10 million
Latching Relay Ratings	20A, 120/277 electronic ballast (LED) 15A, 347 VAC Maximum wire size: 6 AWG Mechanical operations: 10 million Provides a system SCCR rating of 10,000A
Two Pole Relay Ratings	20A, 208/240/480 VAC Normally open Maximum wire size: 6 AWG Mechanical operations: 10 million
Standards	UL 916 Listed UL 924 with RIM 

System Includes

- UL listed – UL 916 standard
- NEMA 1 enclosure
- 32 low voltage input connections
- Digital Switch interface
- Time schedules with astronomic clock
- Prioritization and masking of switch inputs, time schedules and remotes
- Timed inputs
- Occupant warn-off and overrides
- Keypad and 4 line LCD display
- RS-232 port standard
- UL Listed - UL 924 with RIM
- Control receptacle loads with latching relay card

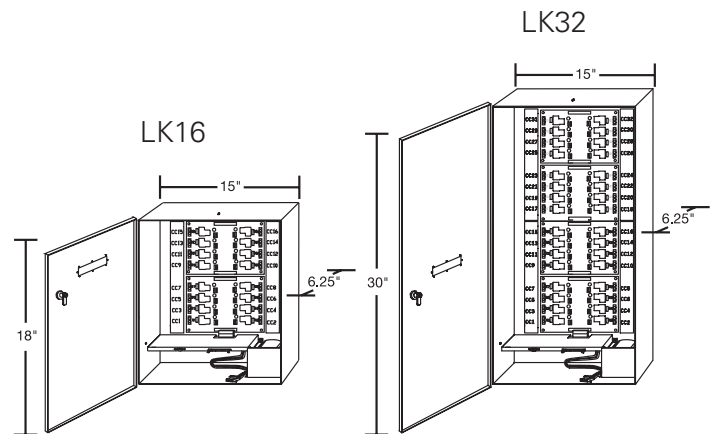
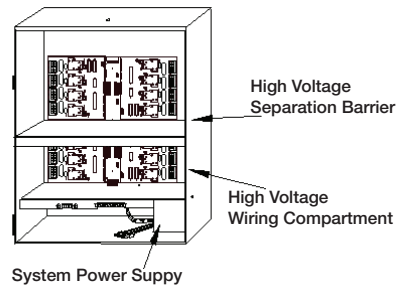
Accessories

- Keeper Enterprise Software
- Ethernet Interface Module
- Automation Interface Module
- Greengate Digital Switch (GDS)
- Dry Contact Switches
- Contact Input Photosensor
- Occupancy Sensor
- Voltage Separation Barrier
- Flush Mount Kit
- CEPC (UL 924 Accessory)
- RRU

Dimensions

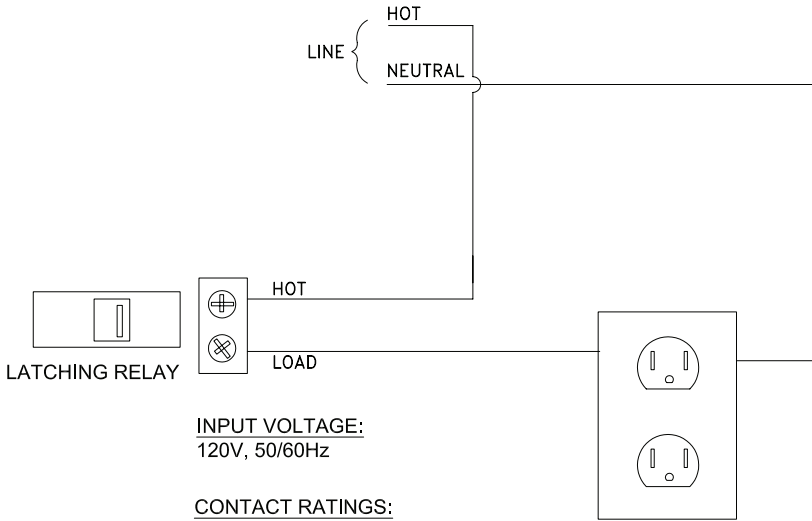
Enclosure

High Voltage Barrier and Dividers



Wiring Diagram

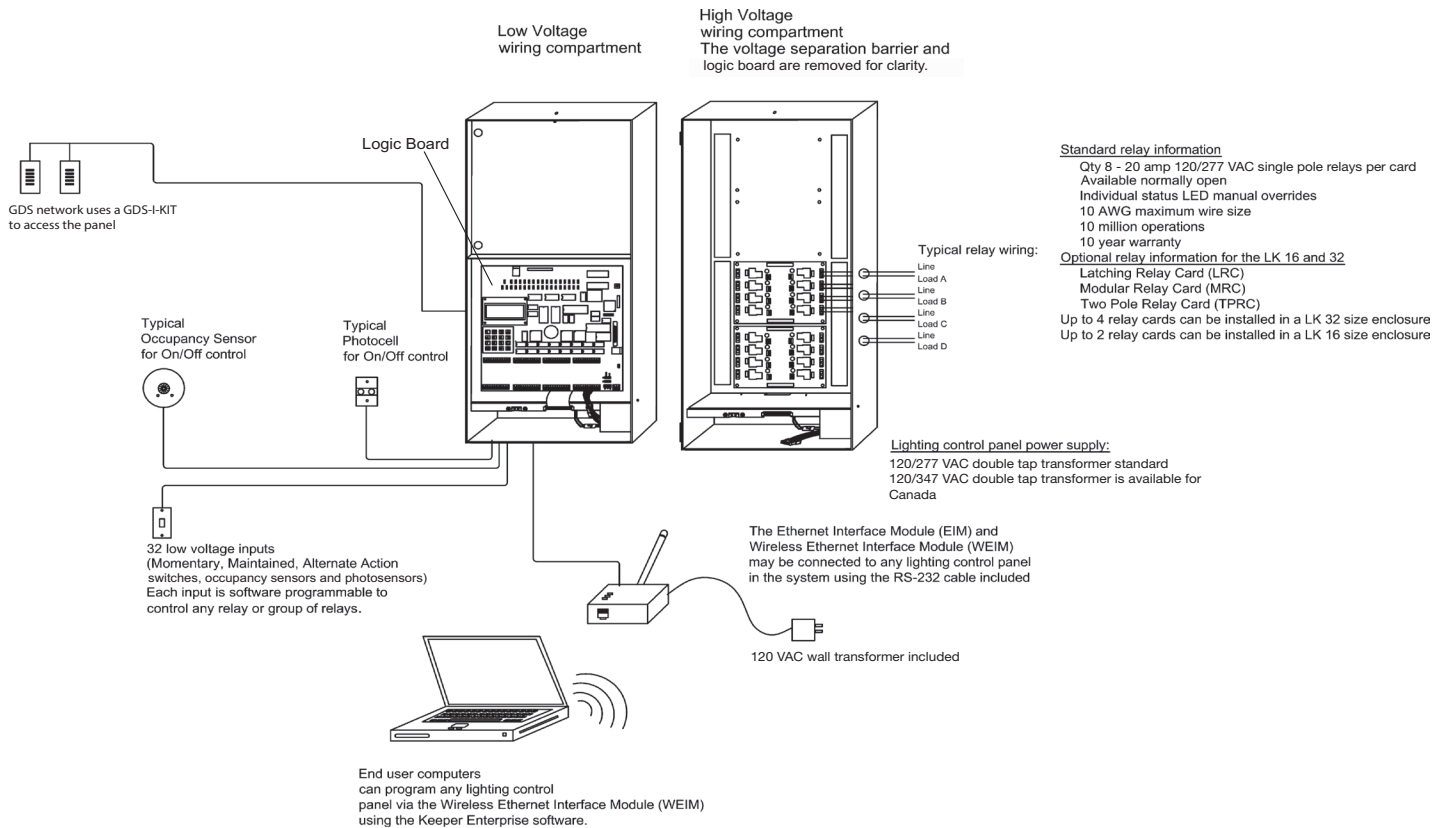
Latching Relay Receptacle Control



INPUT VOLTAGE:
120V, 50/60Hz

CONTACT RATINGS:
20A 120VAC BALLAST
16A 120VAC INCANDESCENT
20A 277VAC BALLAST
1.5HP 120VAC

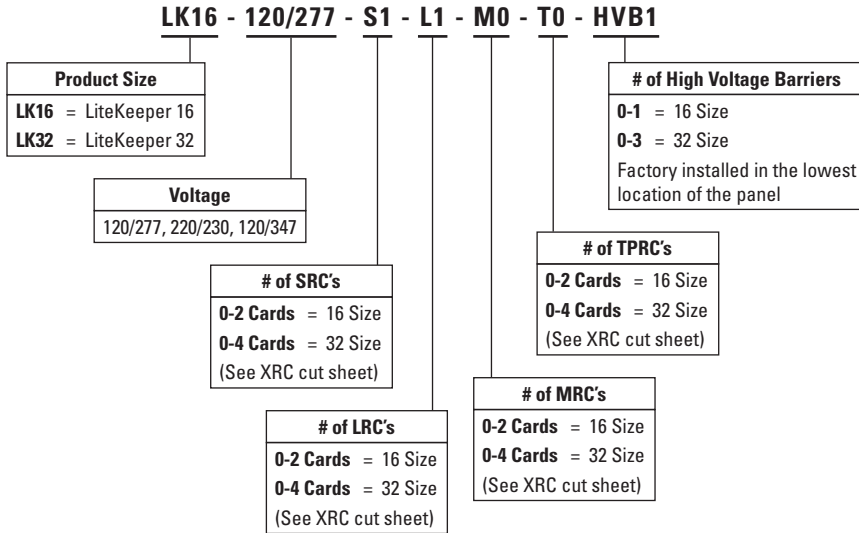
Sample One-Line



August 2016

Ordering

All LiteKeeper lighting control panels require a Logic Board (LK-LB). The logic board is shipped separately from the enclosure and is listed as a separate line item. When ordering any of the below models, you must also order the LK-LB.



Additional Options

Catalog #	Description
LK-LB	LiteKeeper Logic Board (required per enclosure)
LK 16 FK	LiteKeeper 16 size Flushmount Kit (option)
LK 32 FK	LiteKeeper 32 size Flushmount Kit (option)

Eaton
 1000 Eaton Boulevard
 Cleveland, OH 44122
 United States
 Eaton.com

Eaton
 Lighting systems
 1121 Highway 74 South
 Peachtree City, GA 30269
 www.eaton.com/lightingsystems

© 2016 Eaton
 All Rights Reserved
 Printed in USA
 Publication No. TD503055EN
 August 18, 2016

Eaton is a registered trademark.
 All other trademarks are property of their respective owners.