

ONW-D – NeoSwitch Dual Tech/Dual Relay Wall Switch Sensor (Ground Required)

Catalog#	Prepared by
Project	Date
Comments	Type

Overview

The Dual Technology Dual Relay Occupancy Sensing Wall Switch is a motion sensing lighting control and conventional wall switch all-in-one that is used for energy savings and convenience. The unit contains two relays that allow the control of two separate loads. It does not require a neutral wire for installation making it ideal for retrofit applications.

Features

- Air-gap switch ensures no leakage current to load
- Selectable built-in light level sensor
- NEMA WD7 Guide robotic method utilized to verify coverage patterns
- Additional pushbutton with light/fan graphic included
- LED Rated



PIR
Activated



Ultrasonic
Activated



Self-Adjusting



EATON

Powering Business Worldwide

Specifications

Technology	Passive Infrared (PIR) and Ultrasonic (US)
Electrical Ratings (Per Relay)	<p>120 VAC: Incandescent/Tungsten – Max. load: 6.7 amps, 800W, 50/60 Hz Fluorescent/Ballast – Max. load: 10 amps, 1200W, 50/60 Hz Electronic Ballast (LED) 3A</p> <hr/> <p>Motor Load: ¼ HP @ 125 VAC</p> <hr/> <p>277 VAC: Fluorescent/Ballast – Max. load: 9.8 amps, 2700W, 50/60 Hz Electronic Ballast (LED) 3A</p>
Ballast Compatibility	Compatible with LED loads, magnetic and electronic ballasts
Time Delays	Self-Adjusting, 15 seconds/test (10 min. Auto), Selectable 5, 15, 30 minutes
Coverage	Major motion - 36' x 30' Minor motion - 20' x 16'
Light Level Sensing	0 to 200 foot-candles
Operating Environment	Temperature: 32°F - 104°F (0°C - 40°C) Relative humidity: 20% to 90% non-condensing For indoor use only
Housing	Durable, injection molded housing. ABS resin complies with UL 94V-0
Size	Mounting Plate/Strap Dimensions: 4.195"H x 1.732"W (106.55mm x 44mm) Product Housing Dimensions: 2.618"H x 1.752"W x 1.9"D (66.5mm x 44.5mm x 48.26mm)
LED Indicators	Red LED for PIR detection; Green LED for Ultrasonic detection
Standards	FCC Compliant cULus Listed RoHS Compliant



Operation

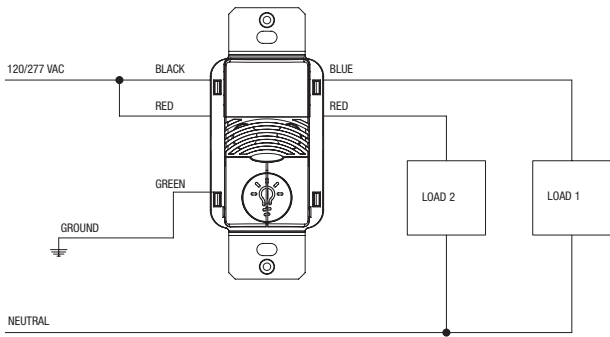
The ONW-D-1001-DMV combines Ultrasonic (US) and Passive Infrared (PIR) sensor technologies to monitor a room for occupancy to deliver maximum energy savings and ensure the greatest sensitivity and coverage for tough applications without the threat of false triggers. PIR is used to turn the lights ON and then either or both technologies are used to keep the lights ON. In Automatic On Mode, the lights turn ON when a person enters the room. In Manual On Mode, the lights are turned ON by pressing the universally recognized light icon pushbutton. Each relay can be set independently to Automatic or Manual On Mode. The sensor includes self-adaptive technology that continuously self-adjust sensitivity and time delay in real-time, maximizing the potential energy savings that are available in the particular application.

Applications

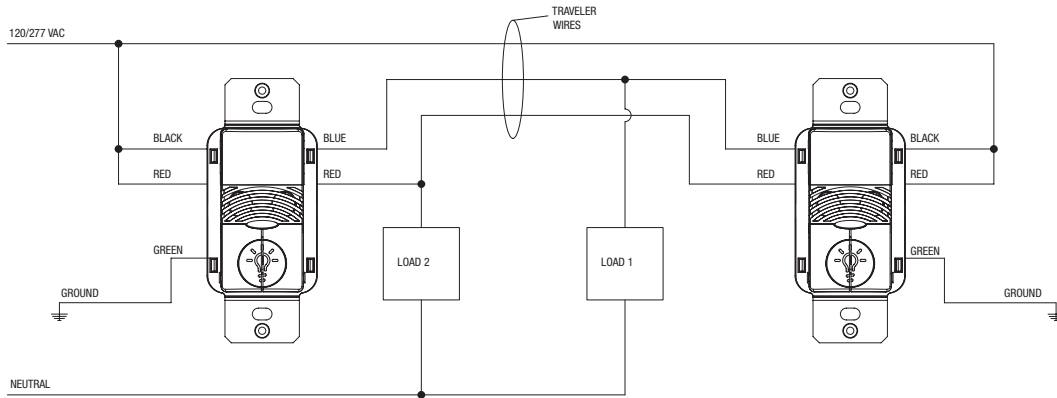
- Private Offices
- Small Conference Rooms
- Lunch/Break Rooms
- Small Classrooms
- Small Restrooms (1-2 Stalls)
- Small Lounges
- Small Waiting Rooms
- Small Closets
- Small Storage Areas

Wiring Diagrams

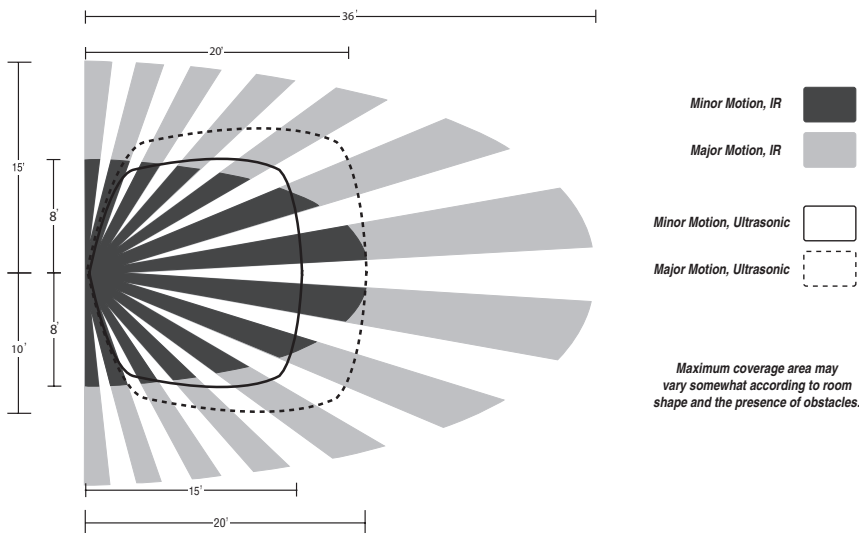
120/277 VAC dual level single circuit wiring diagram



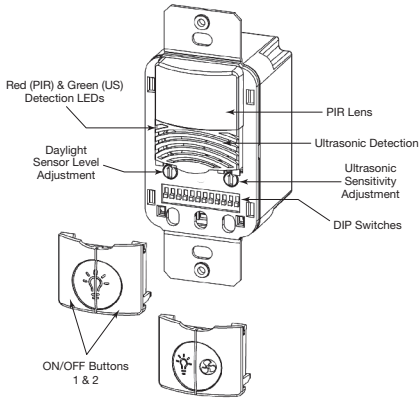
Three-way wiring diagram: Lights will turn OFF automatically when sensor that detected motion last, times out.



Coverage



Controls

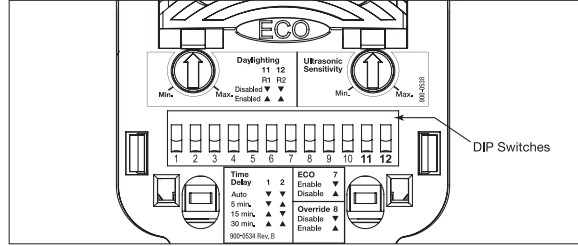


DIP Switch Legend

DIP Switch	Time Delay		Activation		PIR Sensitivity	Walk-Through Mode	EcoMeter	Override	Bathroom	Relay Swap	Daylighting	
	1	2	Relay 1	Relay 2	5	6	7	8	9	10	Relay 1	Relay 2
Auto*	▼	▼	Auto ▼	Auto ▼	Full ▼	Disable ▼	Enable ▼	Disable ▼	Disable ▼	Normal ▼	Disable ▼	Disable ▼
5 Minutes	▼ ▲	▲	Manual ▲	Manual ▲	50% ▲	Enable ▲	Disable ▲	Enable ▲	Enable ▲	Swap ▲	Enable ▲	Enable ▲
15 Minutes	▲	▲										
30 Minutes	▲	▲										

*Self-Adjusts to 10 min. user mode

Default =



Ordering

*One single gang wallplate included.

Catalog #	Ratings	Coverage	Voltage
ONW-D-1001-DMV-*	Incandescent: 0-800W @ 120V Fluorescent: 0-1200W @ 120V Fluorescent: 0-2700W @ 277V Max Load/Relay	180°; 1000 sq. ft.	120/277 VAC, 50/60 Hz

* White, Ivory, Light Almond, Gray, Black

Note: Not all colors are available in stock and some color options may have extended lead times.

Eaton
1121 Highway 74 South
Peachtree City, GA 30269
P: 770-486-4800
www.eaton.com/lightingsystems
For service or technical assistance:
1-800-553-3879

© 2018 Eaton
All Rights Reserved
Printed in USA
Publication No. TD503112EN
March 1, 2018

Specifications and dimensions subject to change without notice.