

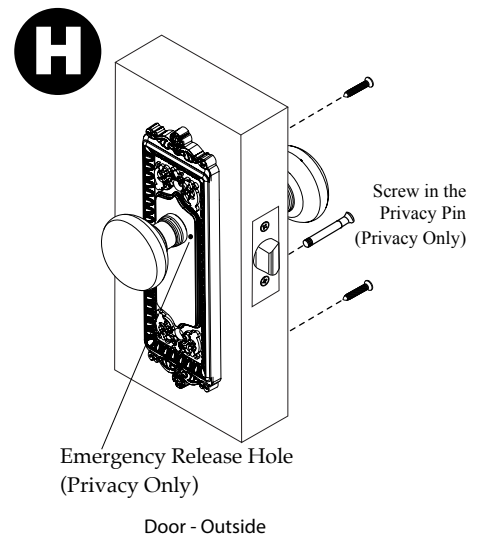
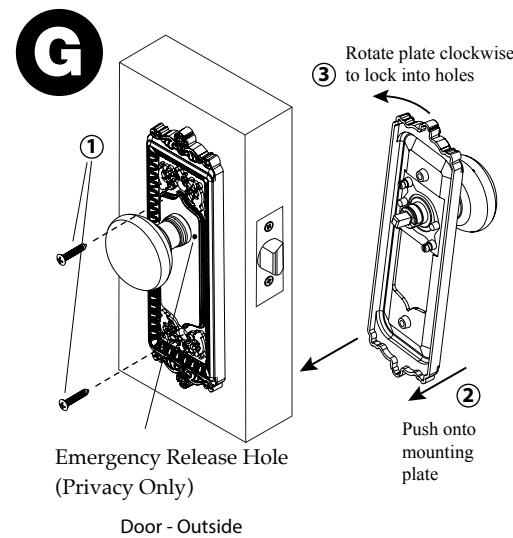
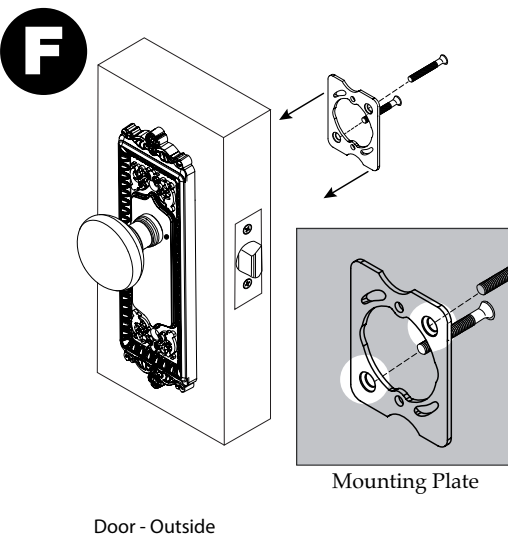
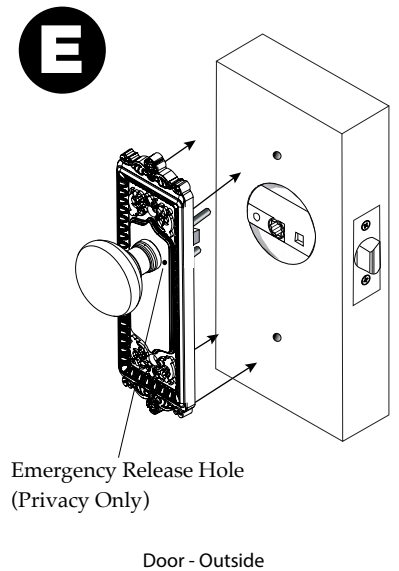
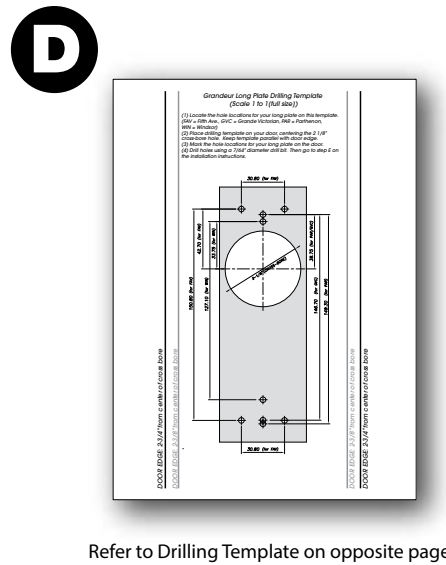
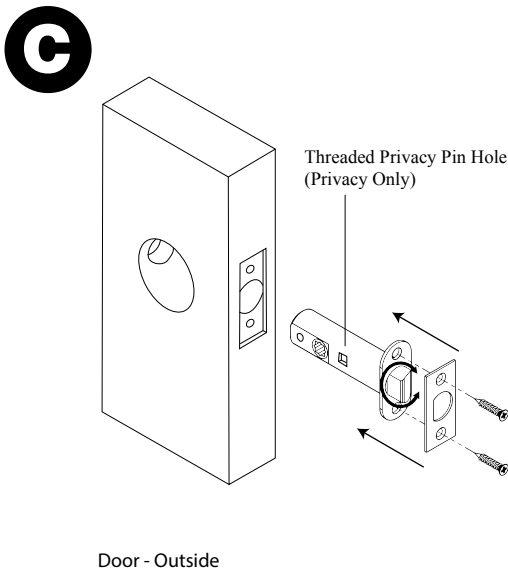
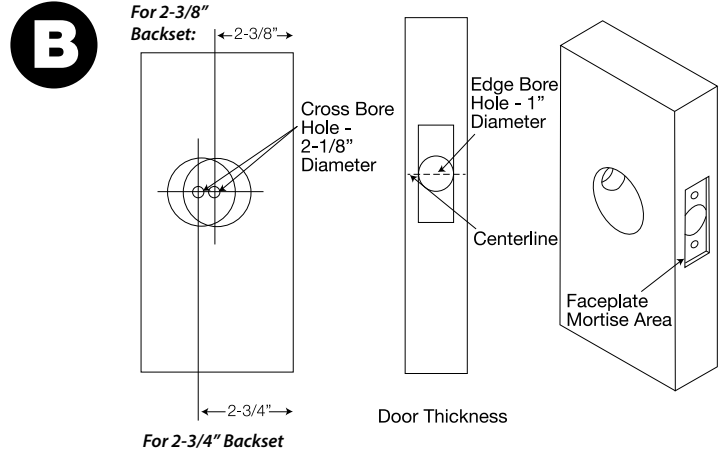
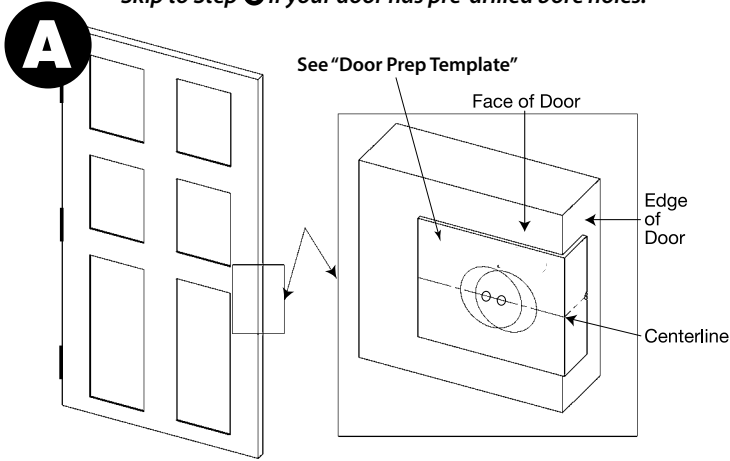
# Long Plate Door Hardware Installation Instructions

Updated June 2016

## Passage/Privacy

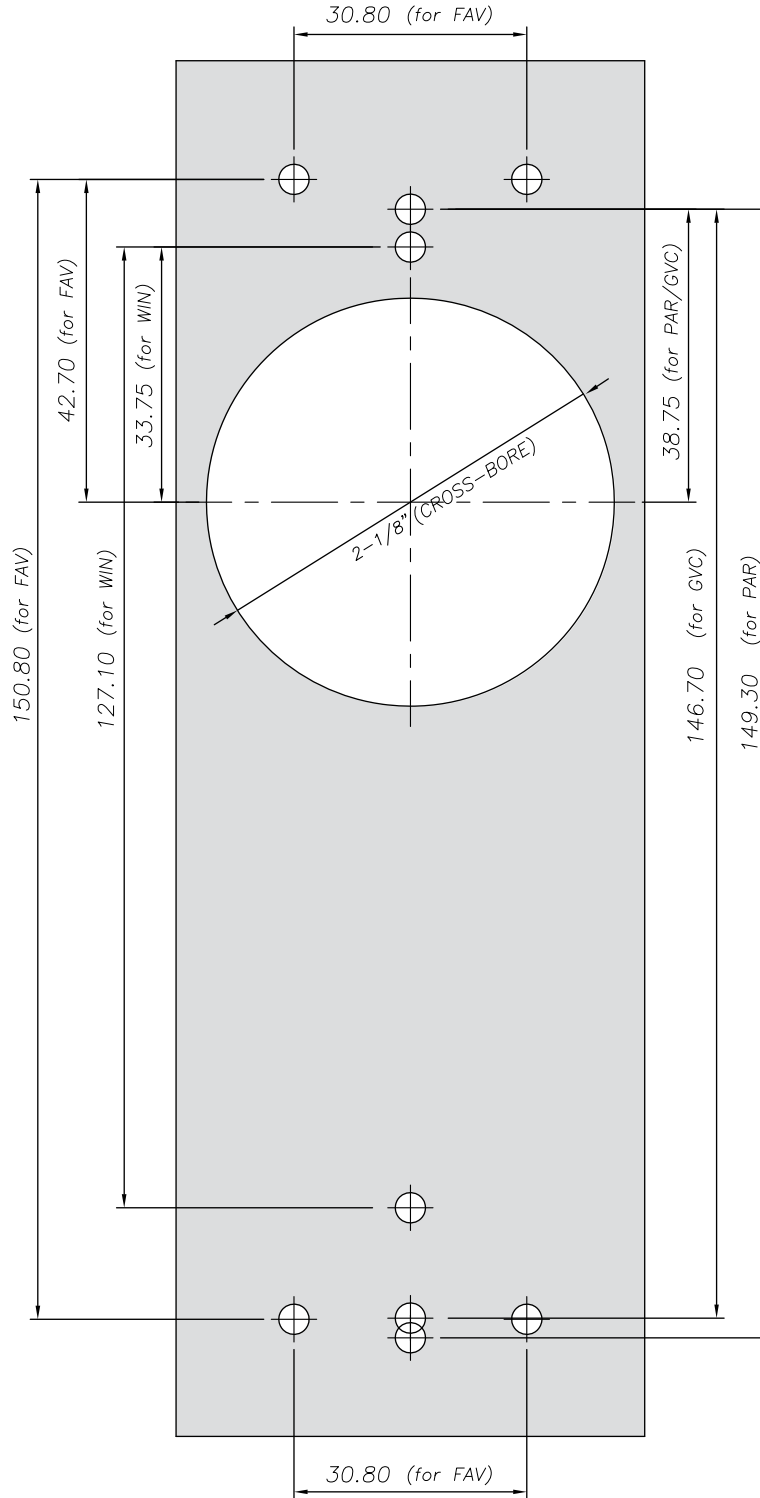
Note: Passages and privacies fit doors 1-3/8" to 1-3/4" thick

Skip to Step **C** if your door has pre-drilled bore holes.



# Grandeur Long Plate Drilling Template (Scale 1 to 1 (full size))

- (1) Locate the hole locations for your long plate on this template.  
(FAV = Fifth Ave., GVC = Grande Victorian, PAR = Parthenon, WIN = Windsor)
- (2) Place drilling template on your door, centering the 2 1/8" cross-bore hole. Keep template parallel with door edge.
- (3) Mark the hole locations for your long plate on the door.
- (4) Drill holes using a 7/64" diameter drill bit. Then go to step E on the installation instructions.



**DOOR EDGE: 2-3/4" from center of cross bore**

**DOOR EDGE: 2-3/8" from center of cross bore**

**DOOR EDGE: 2-3/8" from center of cross bore**

**DOOR EDGE: 2-3/4" from center of cross bore**

