

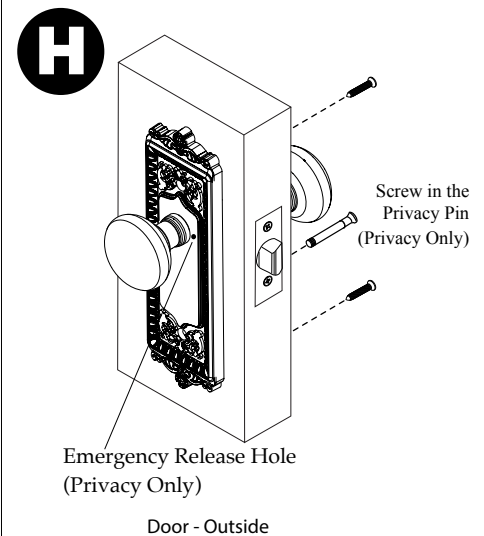
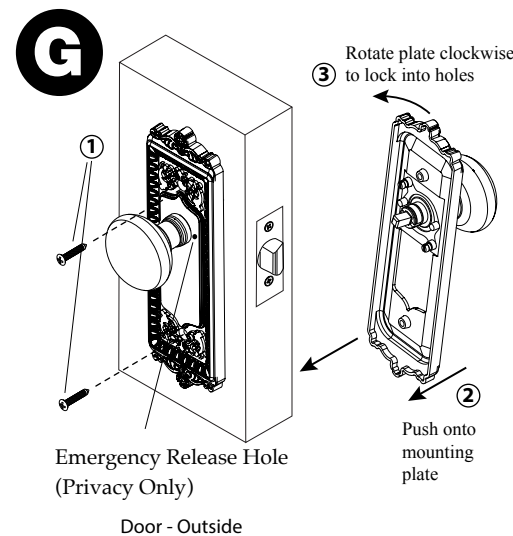
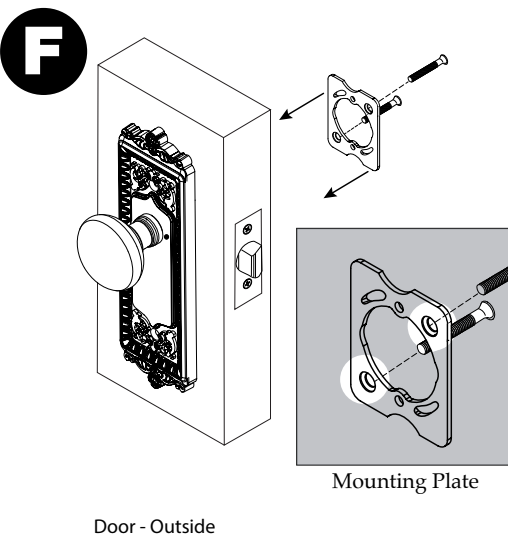
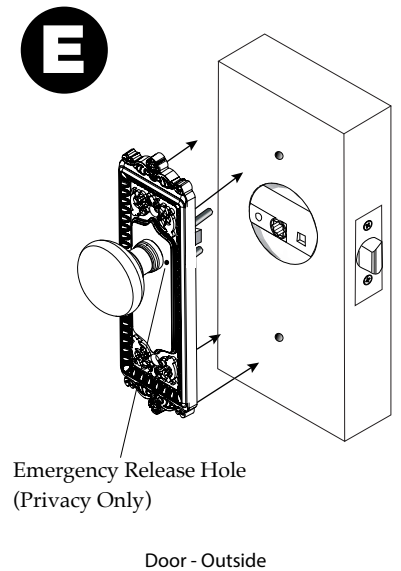
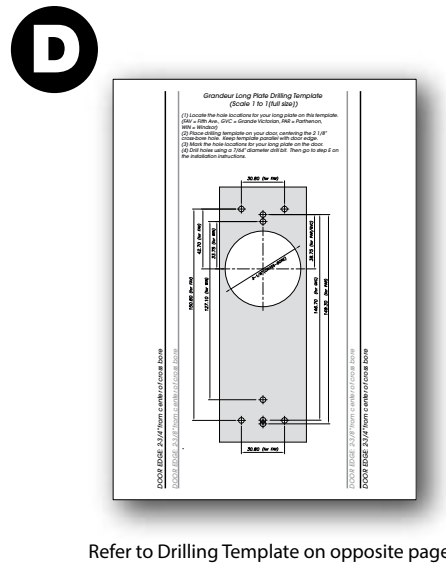
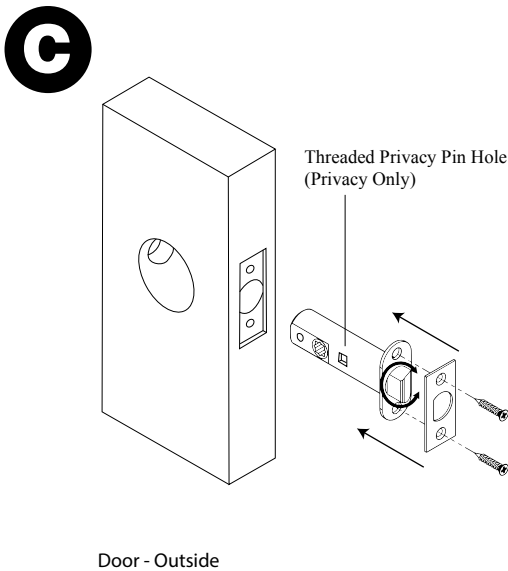
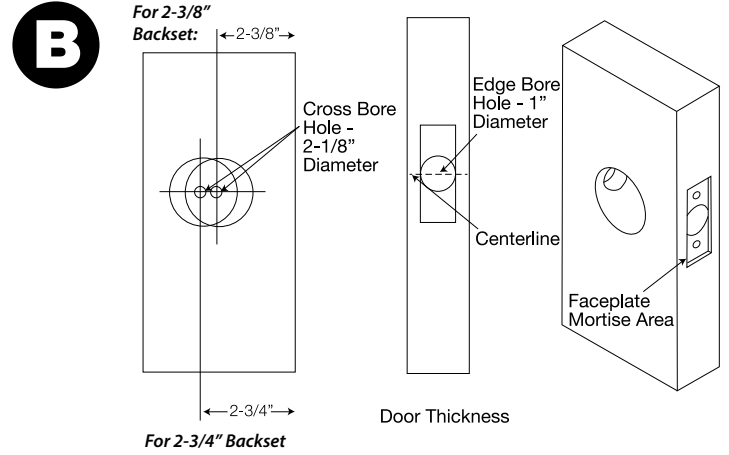
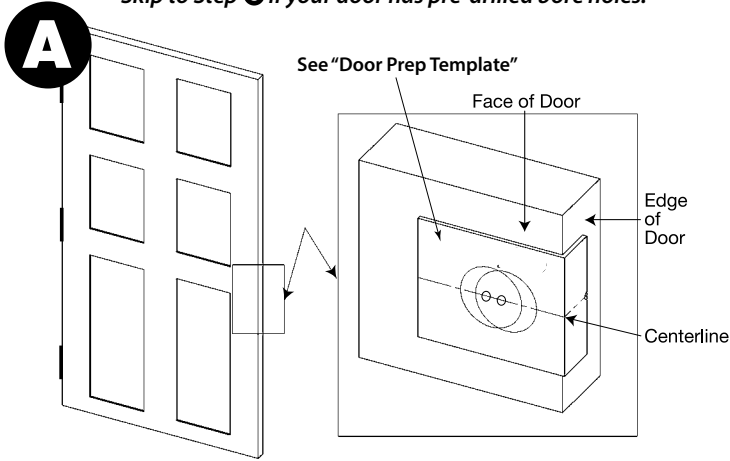
Long Plate Door Hardware Installation Instructions

Updated June 2016

Passage/Privacy

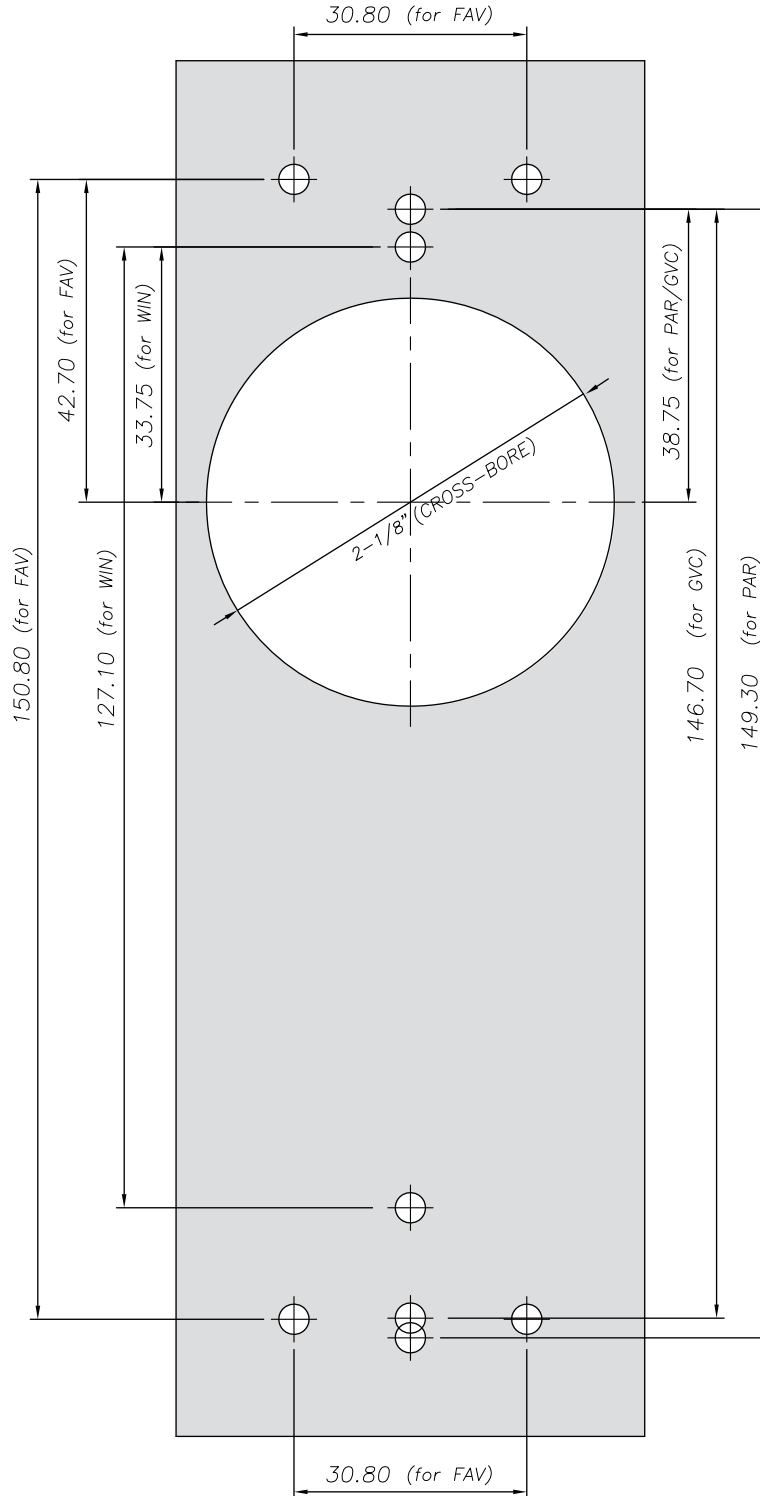
Note: Passages and privacies fit doors 1-3/8" to 1-3/4" thick

Skip to Step **C** if your door has pre-drilled bore holes.



Grandeur Long Plate Drilling Template (Scale 1 to 1 (full size))

- (1) Locate the hole locations for your long plate on this template.
(FAV = Fifth Ave., GVC = Grande Victorian, PAR = Parthenon, WIN = Windsor)
- (2) Place drilling template on your door, centering the 2 1/8" cross-bore hole. Keep template parallel with door edge.
- (3) Mark the hole locations for your long plate on the door.
- (4) Drill holes using a 7/64" diameter drill bit. Then go to step E on the installation instructions.

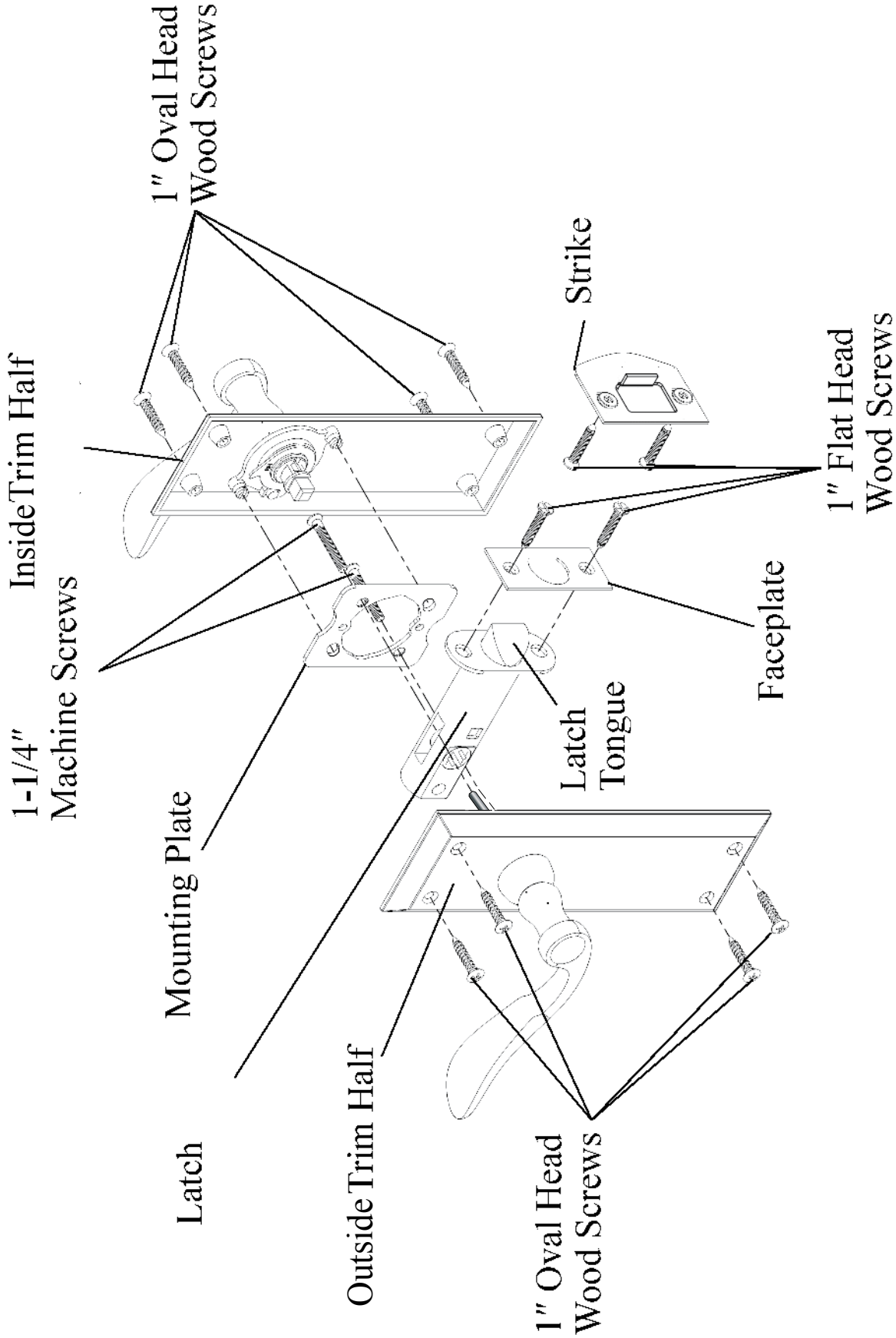


DOOR EDGE: 2-3/4" from center of cross bore

DOOR EDGE: 2-3/8" from center of cross bore

DOOR EDGE: 2-3/8" from center of cross bore

DOOR EDGE: 2-3/4" from center of cross bore

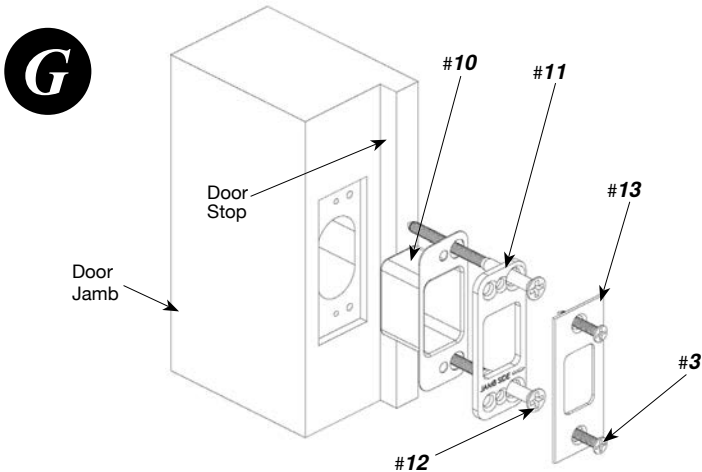
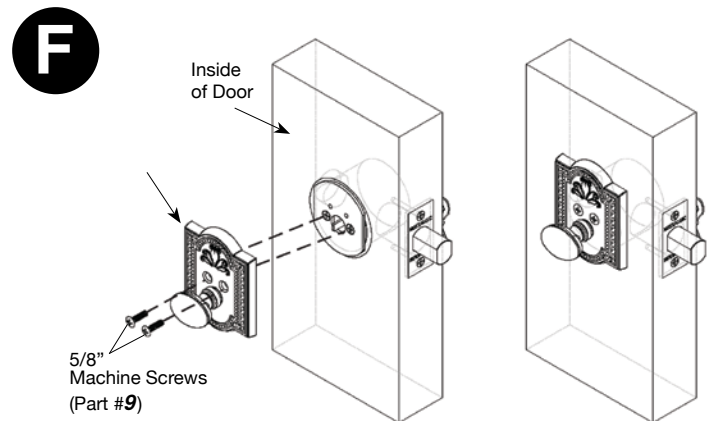
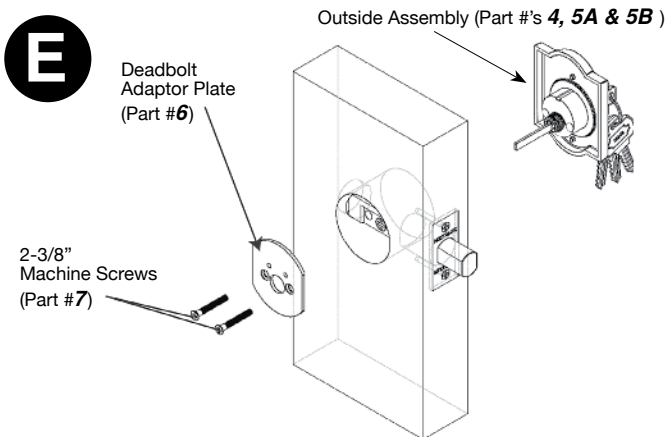
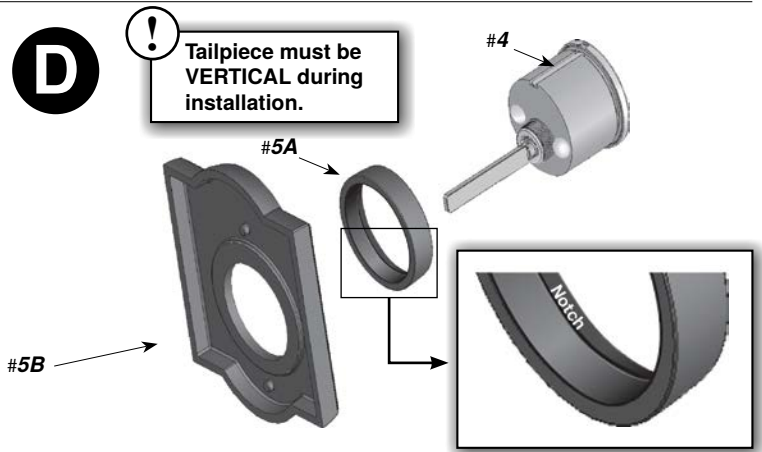
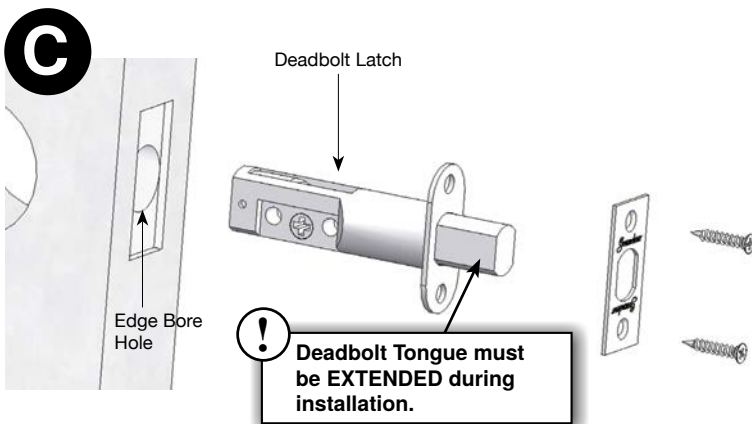
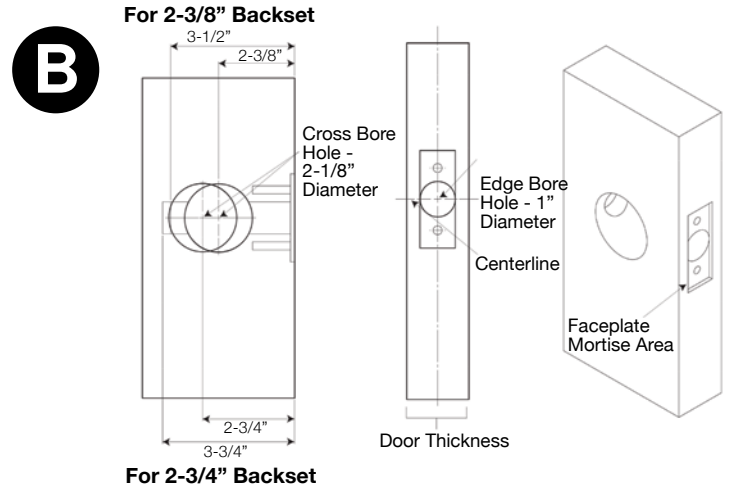
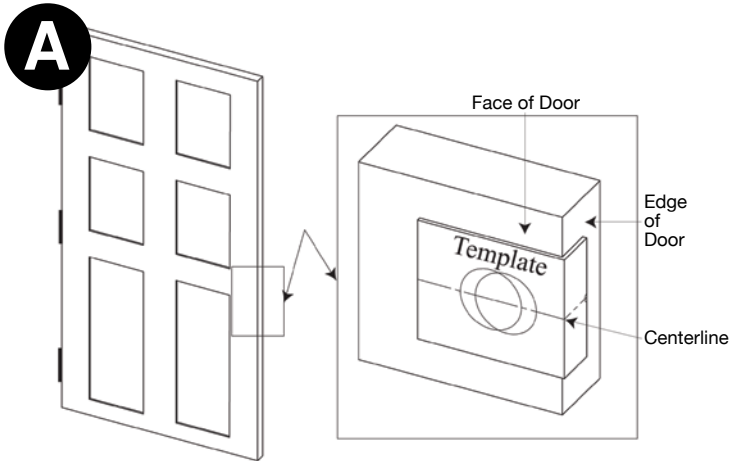


Door Hardware Installation Instructions

Updated June 2016

Single Cylinder Deadbolt

*NOTE: Deadbolts fit doors 1-3/4" to 2-1/4" thick.
For thicker doors, please call customer service.*

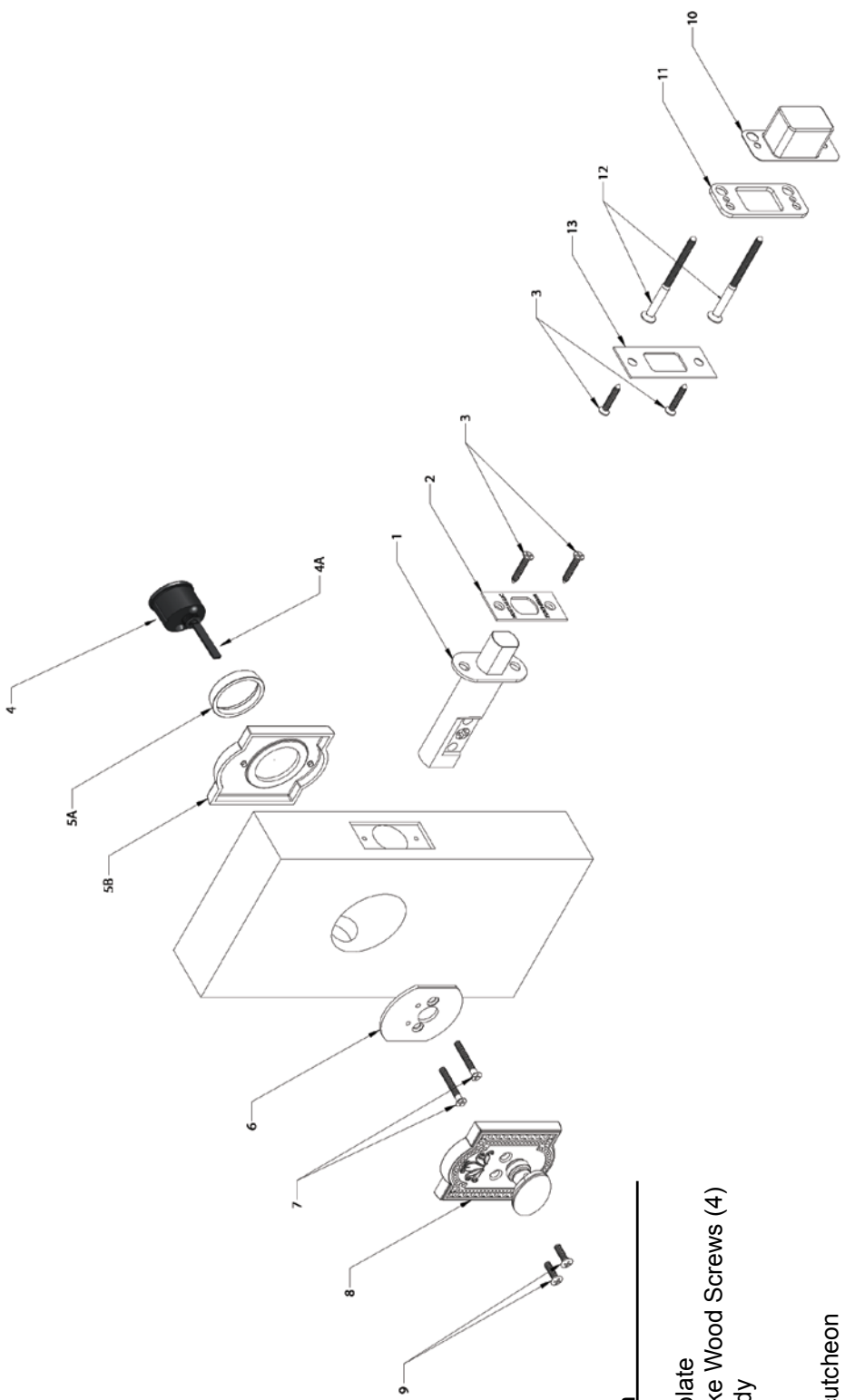


Grandeur
Luxury for Life™

For assistance call 1-844-372-6848 Mon-Fri, 7 am—5pm MST
or visit www.GrandeurHardware.com/support

*NOTE: Deadbolts fit doors 1-3/4" to 2-1/4" thick.
For thicker doors, please call customer service.*

Single Cylinder Deadbolt Exploded Parts Drawing



Part #	Part Description
1	Latch
2	Latch Faceplate
3	Latch & Strike Wood Screws (4)
4	Cylinder Body
4A	Tailpiece
5A	Spin Ring
5B	Outside Escutcheon
6	Deadbolt Adapter Plate
7	2-3/8" Machine Screws (2)
8	Thumbturn Assembly
9	5/8" Thumbturn Machine Screws (2)
10	Dust Box
11	Door Frame Reinforcer
12	3" Reinforcer Wood Screws (2)
13	Strike Plate