

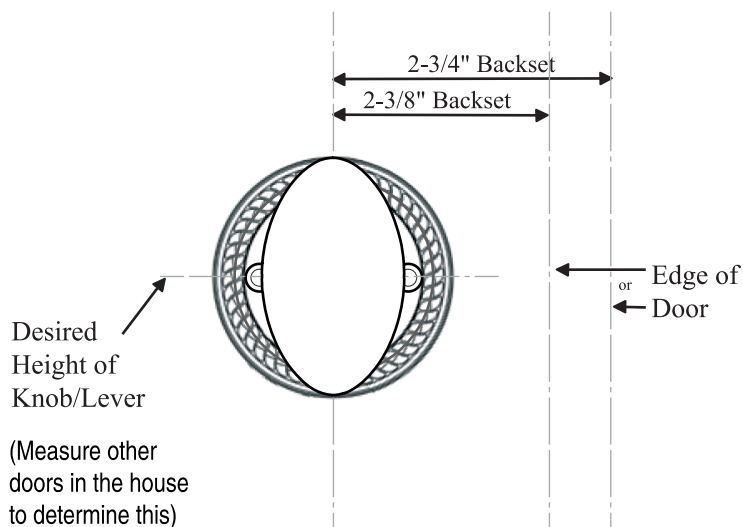
Rosette Door Hardware Installation Instructions — For doors without a 2-1/8" cross-bore

Dummy

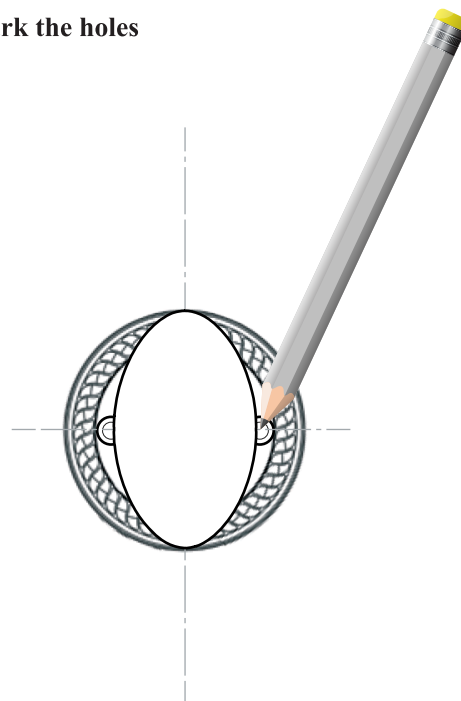
Updated June 2016

Note: Diagrams depicted on this page are not to scale

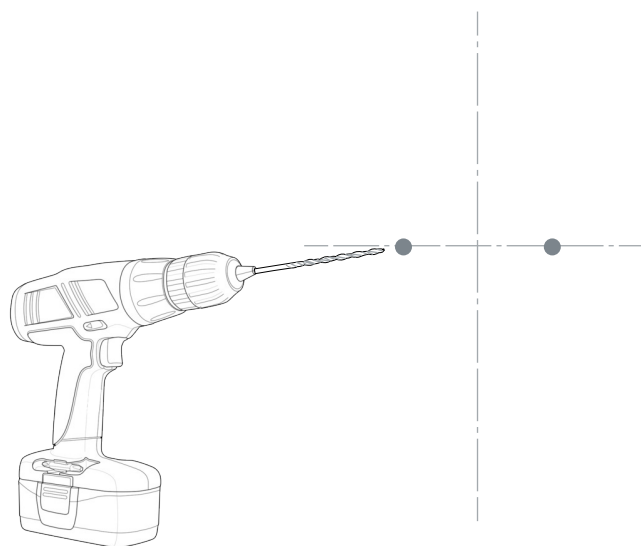
- A** Determine backset (distance between edge of door and center of rosette.) Check other doors in the house to determine backset.



- B** Mark the holes



- C** Using a 7/64" drill bit, drill the screw holes at least 3/4" deep.



- D** Insert the rosette screws and tighten until snug.

