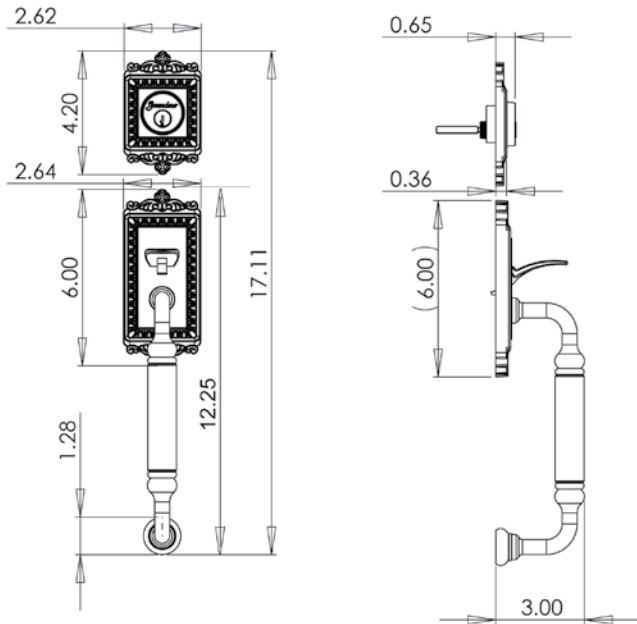


TECHNICAL SPECIFICATIONS

## Windsor Handleset – C Grip



- > Collection: Grandeur
- > Design code: WINCGR
- > Material: Solid Forged Brass
- > Functions: Single Cylinder

Minimum bore distance center to center is 5-1/4"



Windsor Handleset shown in Lifetime Brass