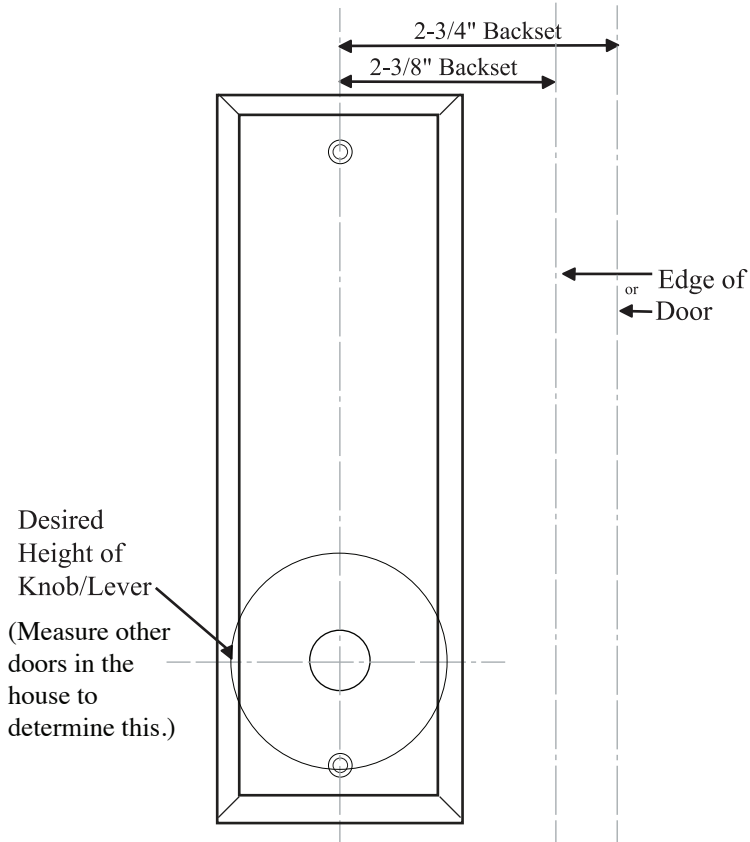


Tall Plate Door Hardware

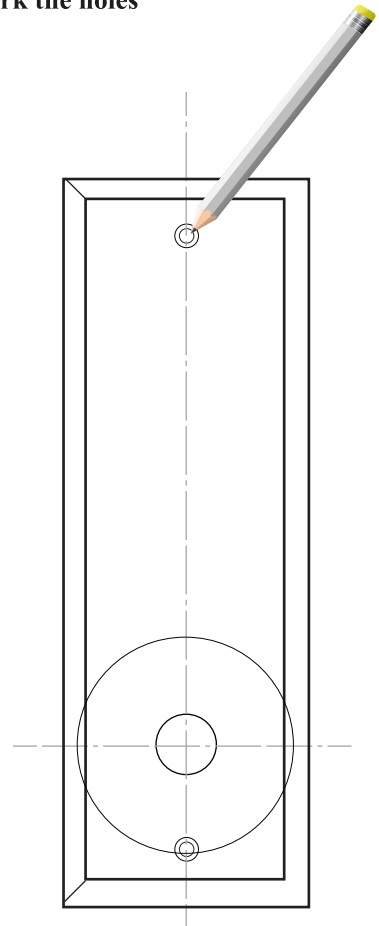
Installation Instructions — For doors without a 2-1/8" cross-bore

Single Dummy

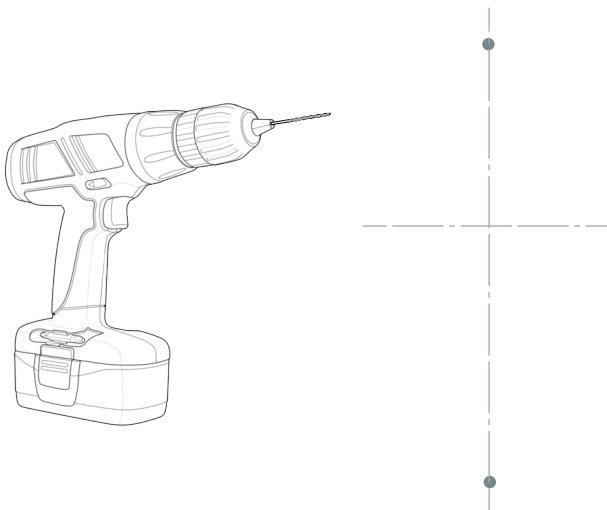
- A** Determine backset (distance between edge of door and center of tall plate.) Check other doors in the house to determine backset.



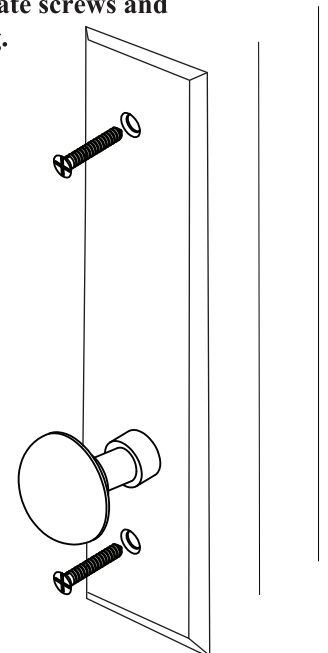
- B** Mark the holes



- C** Using a 7/64" drill bit, drill the screws through the door at least 3/4" deep.



- D** Insert the tall plate screws and tighten until snug.

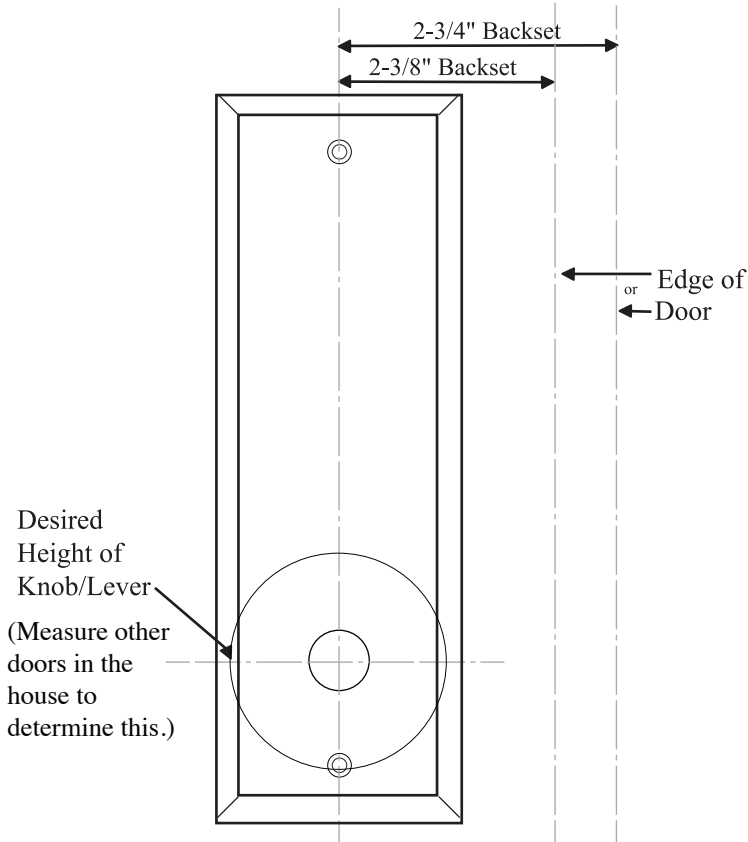


Tall Plate Door Hardware Installation Instructions

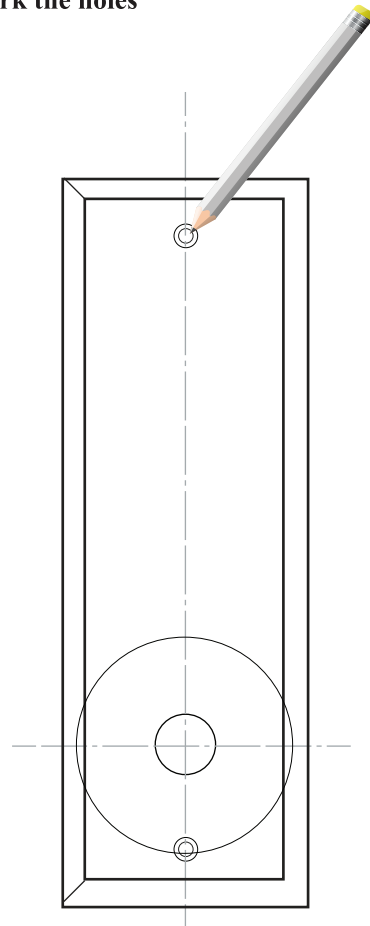
— For doors with or without a 2-1/8" cross-bore

Double Dummy

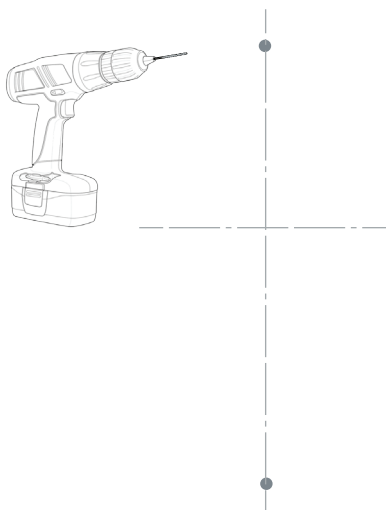
A Determine backset (distance between edge of door and center of tall plate.) Check other doors in the house to determine backset.



B Mark the holes



C Using a 1/4" drill bit, drill the screws through the door.

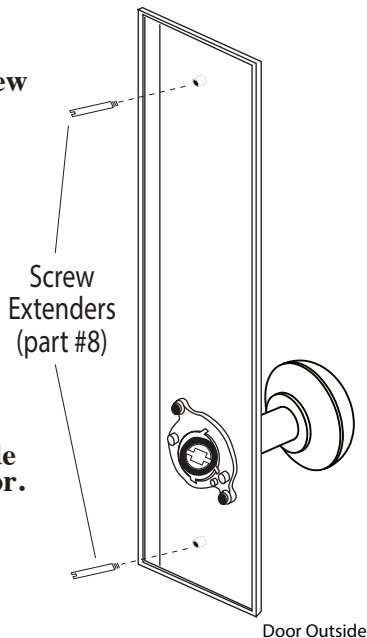


D

Install screw extenders into exterior tall plate.

Tighten securely.

Place the exterior plate on the outside of the door.



E

Insert the tall plate screws and tighten until snug.

