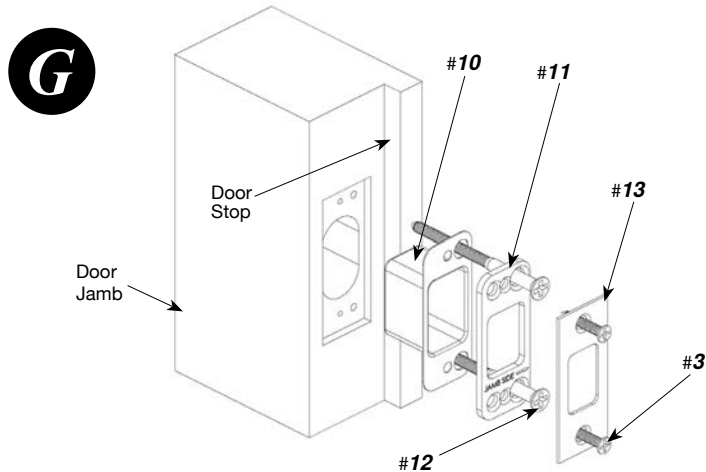
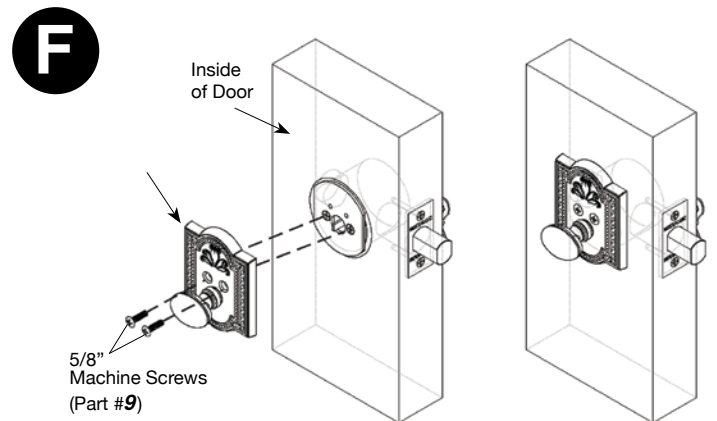
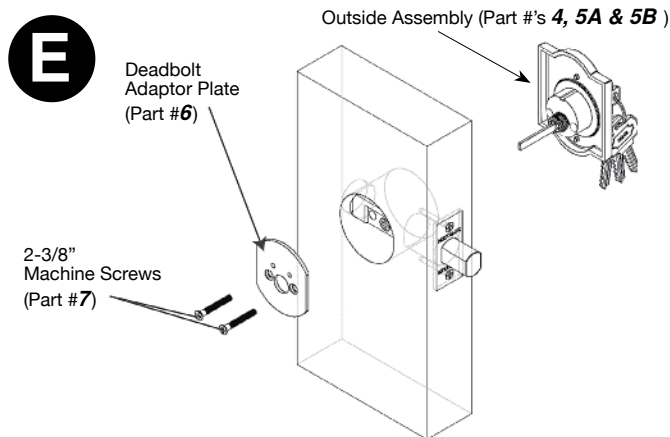
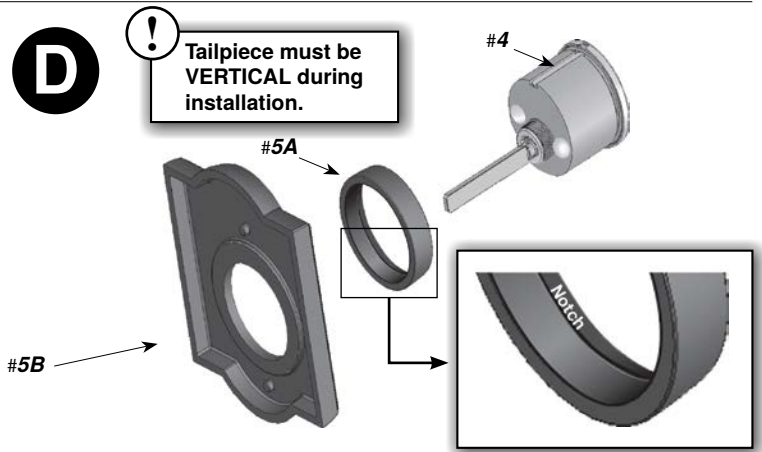
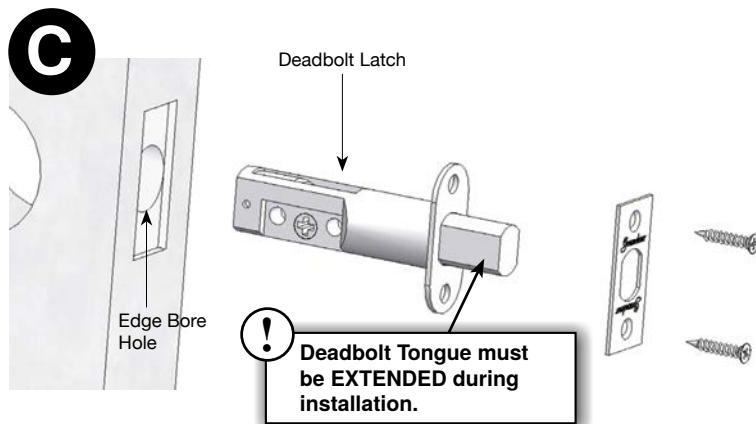
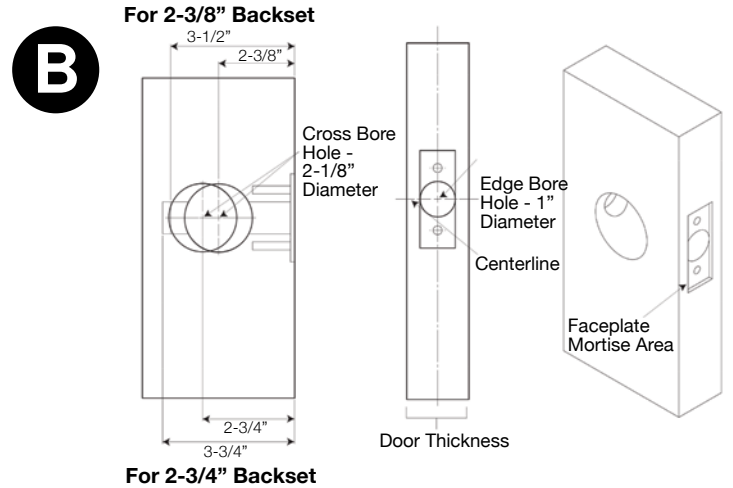
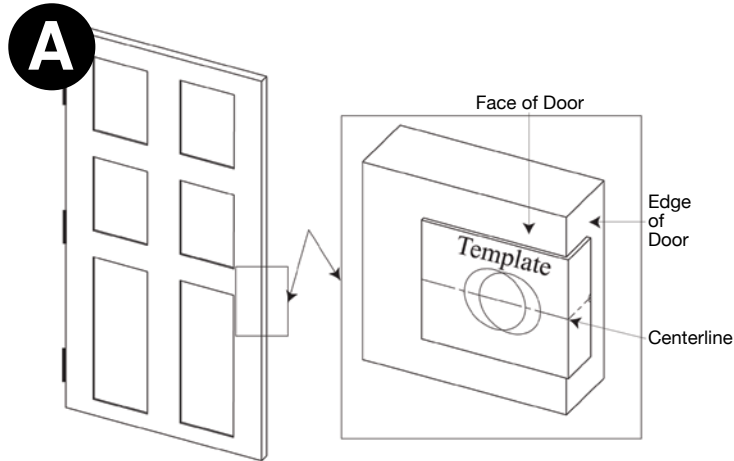


Door Hardware Installation Instructions

Updated July 2015

Single Cylinder Deadbolt

*NOTE: Deadbolts fit doors 1-3/4" to 2-1/4" thick.
For thicker doors, please call customer service.*



Grandeur
By NOSTALGIC
WAREHOUSE.

For Assistance
Call:

1-800-522-7336

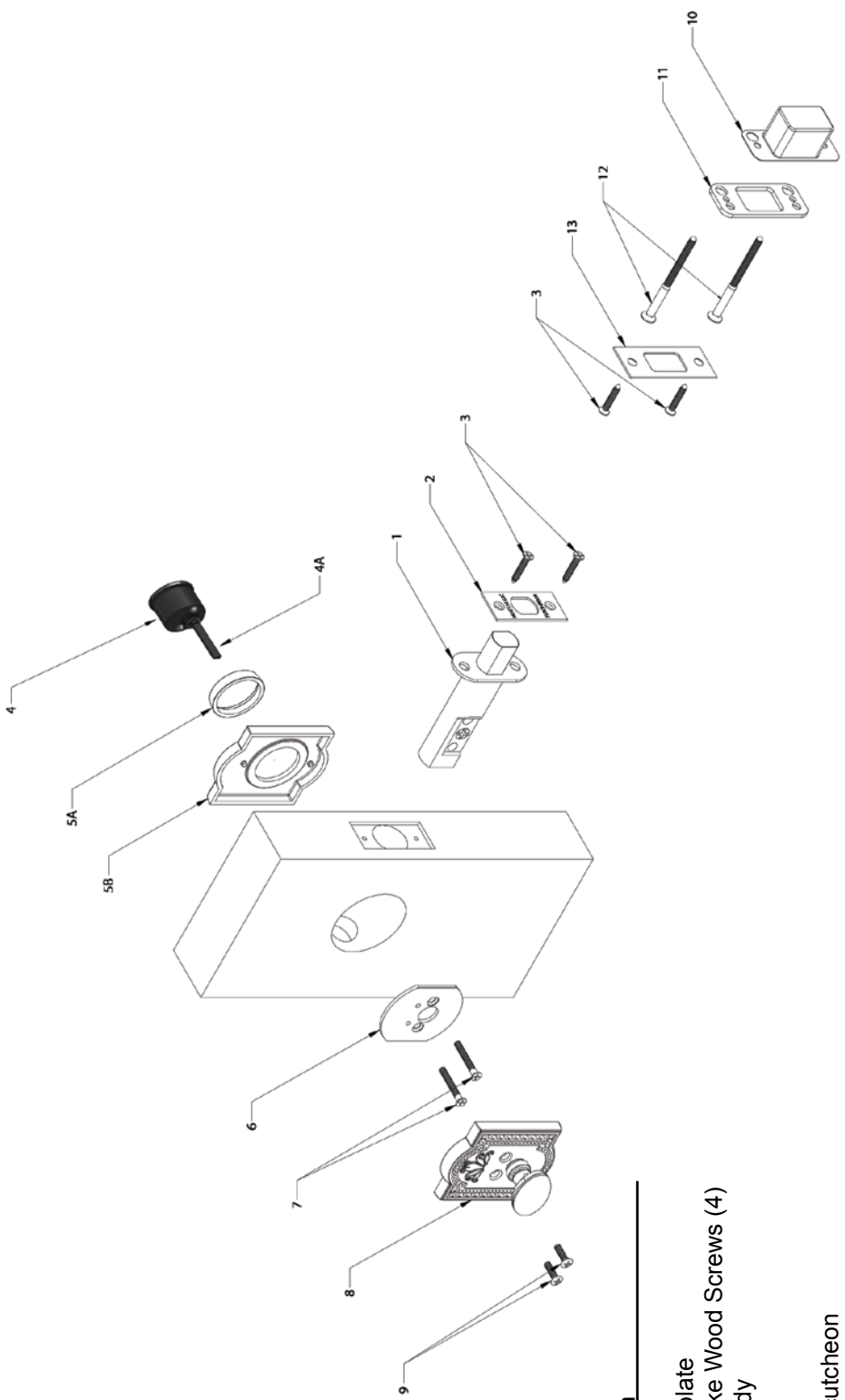
8 am - 5 pm, Monday - Friday, MST

Door Hardware Installation Instructions

Single Cylinder Deadbolt

*NOTE: Deadbolts fit doors 1-3/4" to 2-1/4" thick.
For thicker doors, please call customer service.*

Single Cylinder Deadbolt Exploded Parts Drawing



Part #	Part Description
1	Latch
2	Latch Faceplate
3	Latch & Strike Wood Screws (4)
4	Cylinder Body
4A	Tailpiece
5A	Spin Ring
5B	Outside Escutcheon
6	Deadbolt Adapter Plate
7	2-3/8" Machine Screws (2)
8	Thumbturn Assembly
9	5/8" Thumbturn Machine Screws (2)
10	Dust Box
11	Door Frame Reinforcer
12	3" Reinforcer Wood Screws (2)
13	Strike Plate



For Assistance Call: **1-800-522-7336**
 8 am - 5 pm, Monday - Friday, MST
 Page 2 - PK147 Rev.2 07212015