

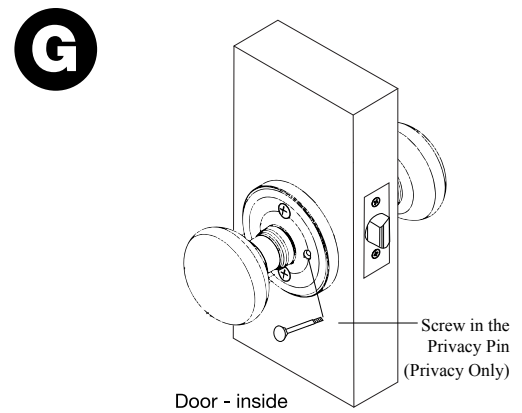
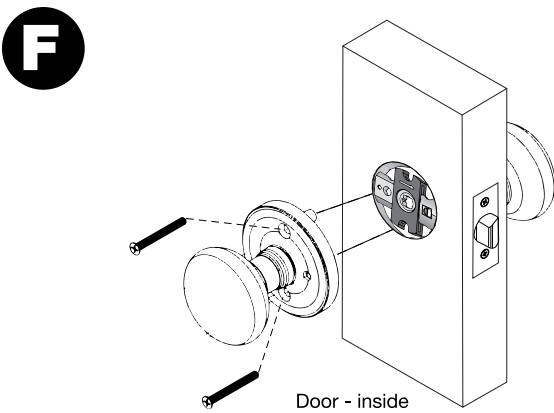
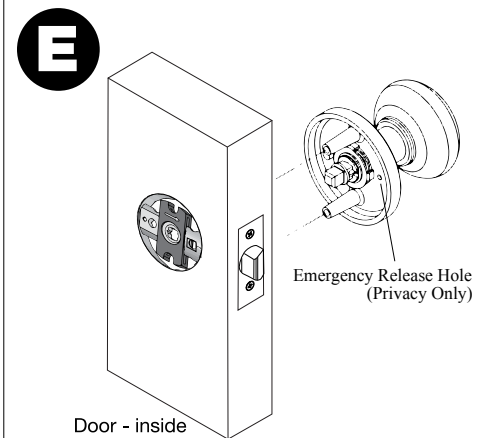
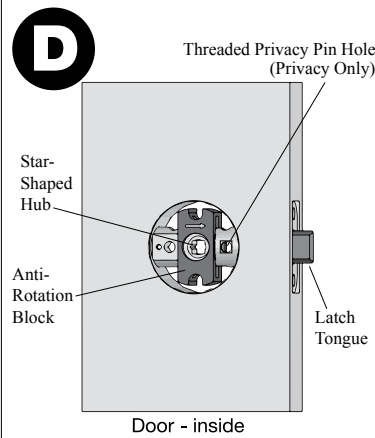
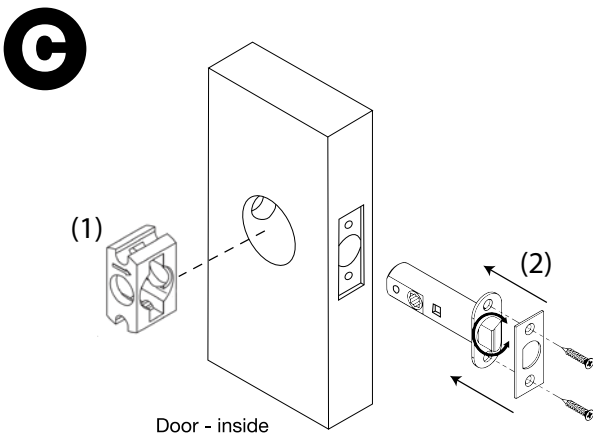
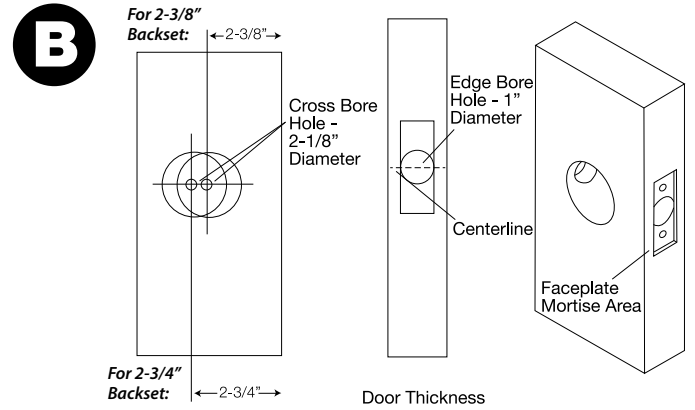
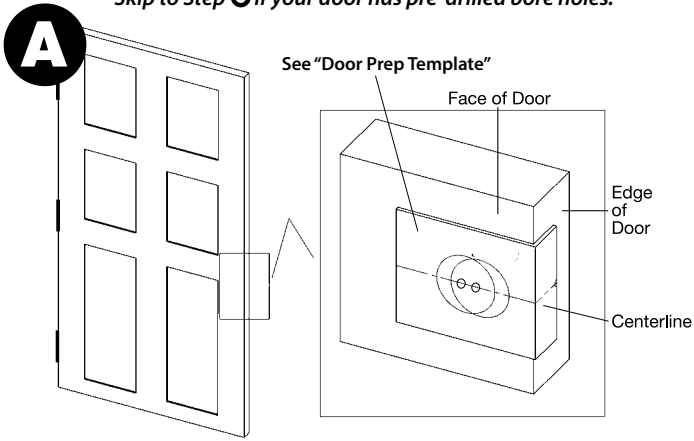
Rosette Door Hardware Installation Instructions

Updated February 2015

Passage/Privacy

Note: Passages and privacies fit doors 1-3/8" to 1-3/4" thick

Skip to Step **C** if your door has pre-drilled bore holes.



Grandeur
By NOSTALGIC
WAREHOUSE

