



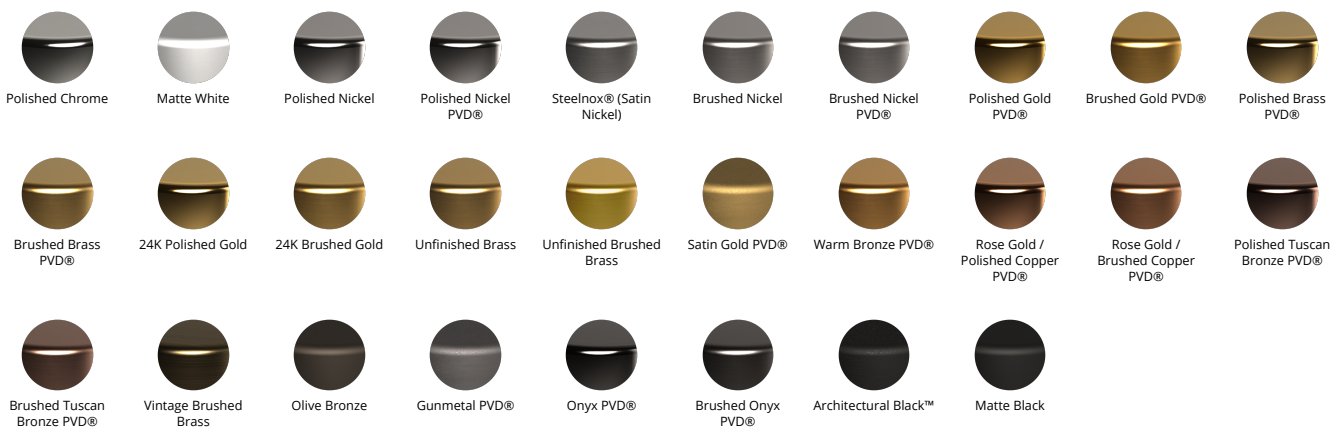
**Product Features**

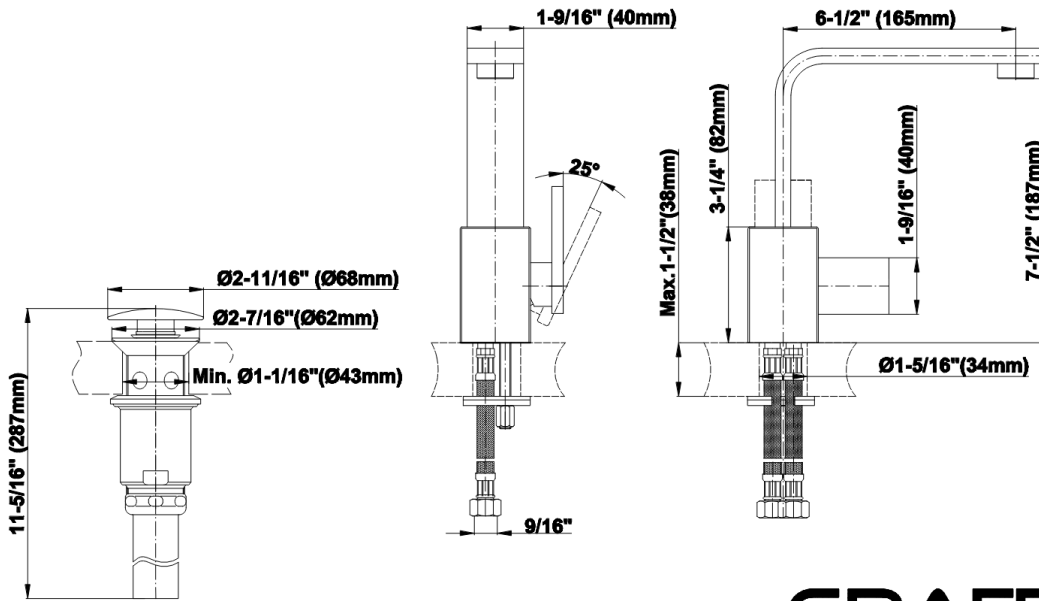
- Single-hole installation
- Aerated flow rate ? 1.2 max gpm
- Includes Push-Top Umbrella Pop-up Drain w/Overflow
- Optional Matching Decorative Trap G-9971

**Code compliance**

- ADA
- CALGreen

**Available Finishes**





GRAFF