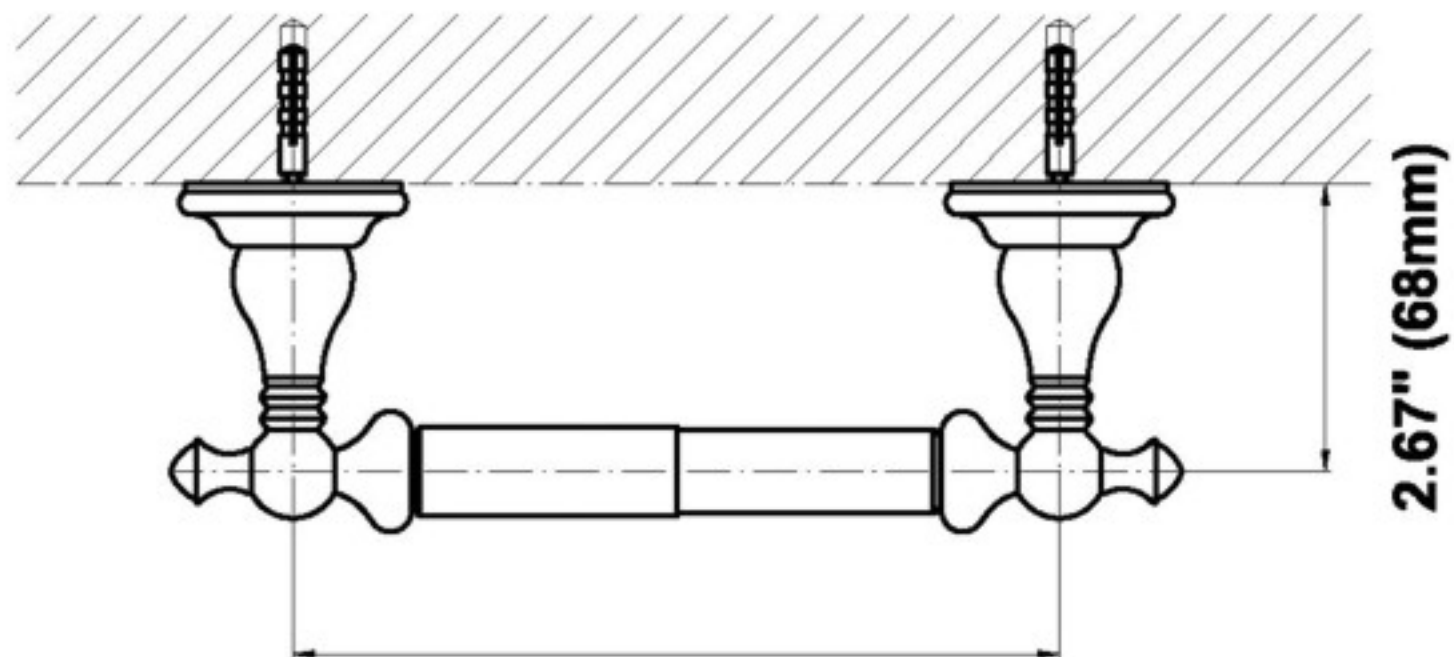
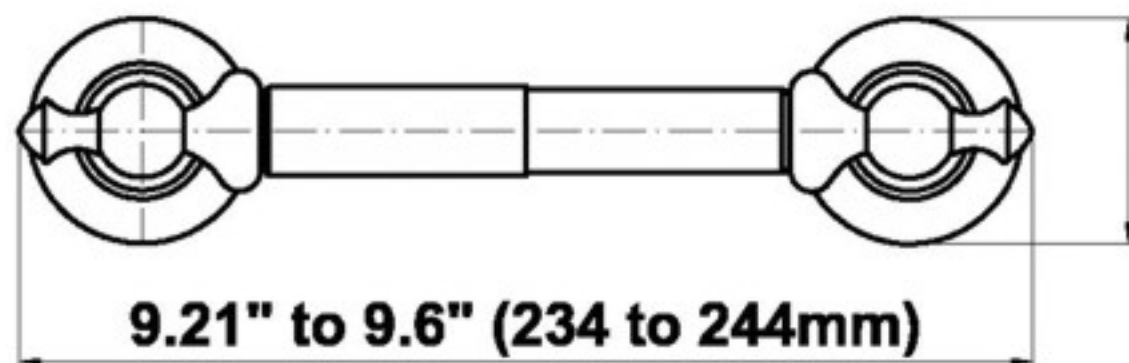


Tissue Holder G-9006



6.93" to 7.32" (176 to 186mm)



9.21" to 9.6" (234 to 244mm)

Ø2.08" (Ø53mm)