

SHOWER
Phase Pressure Balancing Shower
System - Tub and Shower
G-7283-LM45S

GRAFF®

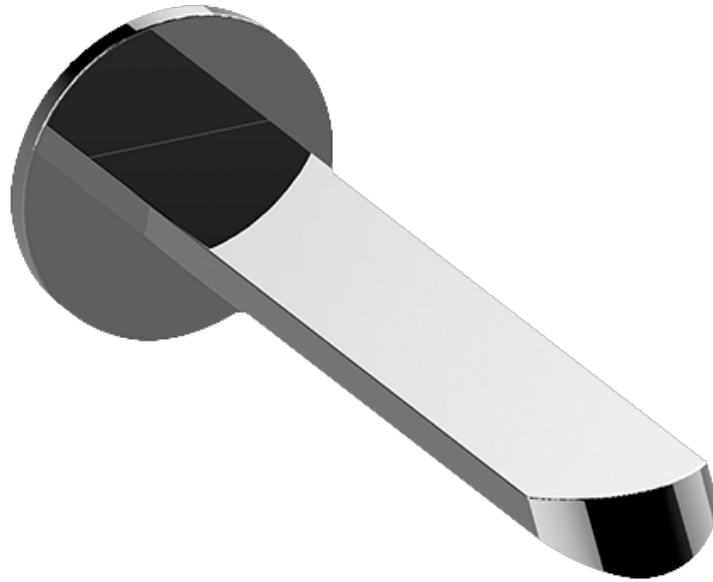


Information

- 1/2" pressure balance valve with diverter and trim
- 8" showerhead with 12" wall-mounted shower arm
- Showerhead features no-clog, easy-clean spray nozzles
- 8" matching Phase collection tub spout
- Optional extension kit
- Showerhead flow rate ≤ 1.8 max gpm
- ADA
- CALGreen

SHOWER
8" Contemporary Phase Tub
Spout
G-6665

GRAFF®



Information

- Includes spout ring
- 1/2" NPT male thread inlet
- Matches Phase Collection
- Tub spout flow rate ~ 5.4 gpm @60 psi

Finishes



24K Gold



24K Brushed
Gold



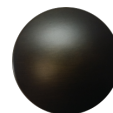
Architectural
Black™



Brushed
Nickel



Matte Black



Olive Bronze



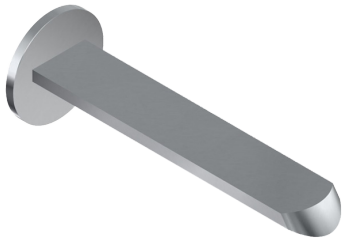
Polished
Chrome



Polished
Nickel



Architectural
White



Product Features

- Includes spout ring
- 1/2" NPT male thread inlet

Available Finishes

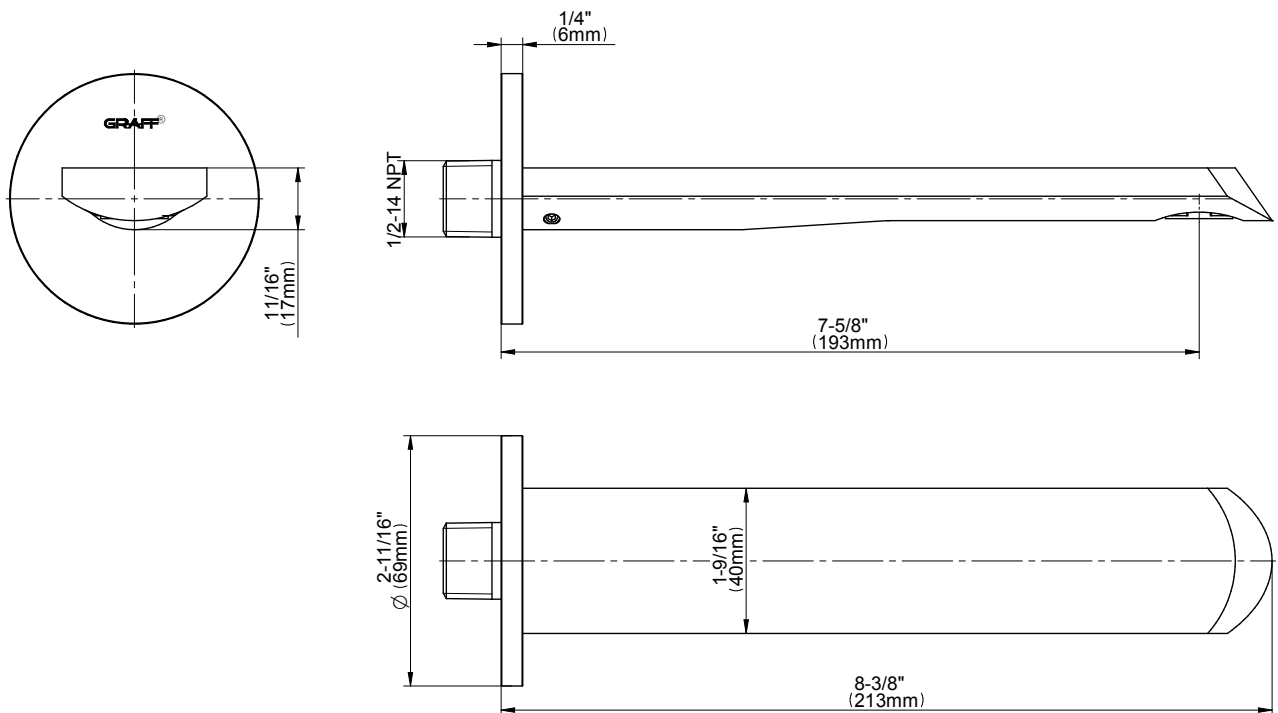
- Polished Chrome
G-6665-PC
- Brushed Nickel
G-6665-BNi
- Polished Nickel
G-6665-PN
- Olive Bronze™
G-6665-OB*

* Special order finish- call for availability

Warranty

- Limited lifetime warranty

For complete warranty information go to
<http://www.graff-faucets.com/en/info/faqs>



SHOWER
Concealed Pressure Balancing
Valve Rough w/Diverter
G-7055

GRAFF[®]



Information

- Anti-scald protection
- 1/2" universal inlets/outlets with male threads
- Built-in service stops
- Push-button diverter
- For use with tub & shower configuration
- Supplied with protective plastic guard

Finishes



24K Gold



24K Brushed
Gold



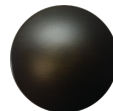
Architectural
Black™



Brushed
Nickel



Matte Black



Olive Bronze



Polished
Chrome



Polished
Nickel



Architectural
White

G-7055

1/2" Rough Valve w/Diverter



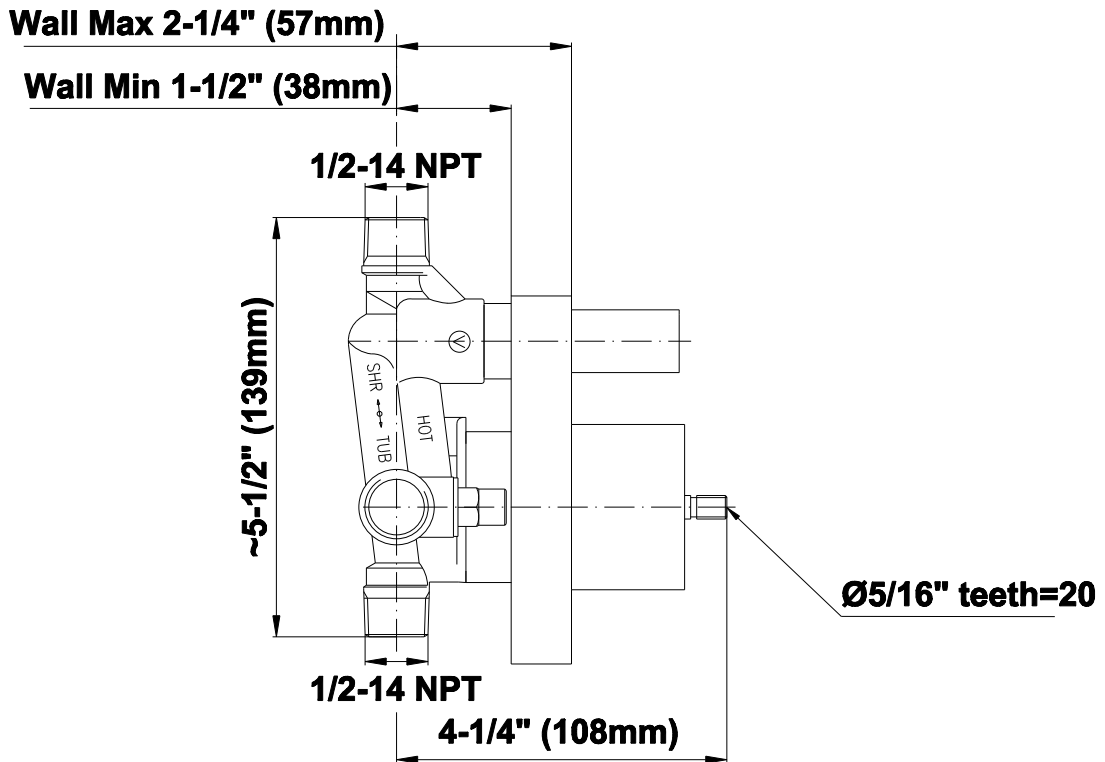
Product Features

- Anti-scald protection
- 1/2" universal inlets/outlets with male threads
- Built-in service stops
- Push-button diverter
- For use with tub & shower configuration
- Supplied with protective plastic guard

Warranty

- Limited lifetime warranty

For complete warranty information go to www.graff-faucets.com/en-nam/warranty



The measurements shown are for reference only. Products and specifications shown are subject to change without notice. Revised 06/2014.

www.graff-faucets.com | phone: 800-954-4723

SHOWER
Phase Pressure Balancing Valve
Trim with Handle and Diverter
G-7080-LM45S-T

GRAFF[®]



Information

- Single metal handle, decorative trim plate
- Decorative trim plate
- Includes push-button diverter
- Use with G-7055 Pressure Balancing Rough Valve
- ADA

Finishes



24K Gold



24K Brushed
Gold



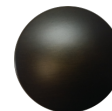
Architectural
Black™



Brushed
Nickel



Matte Black



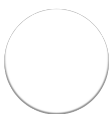
Olive Bronze



Polished
Chrome



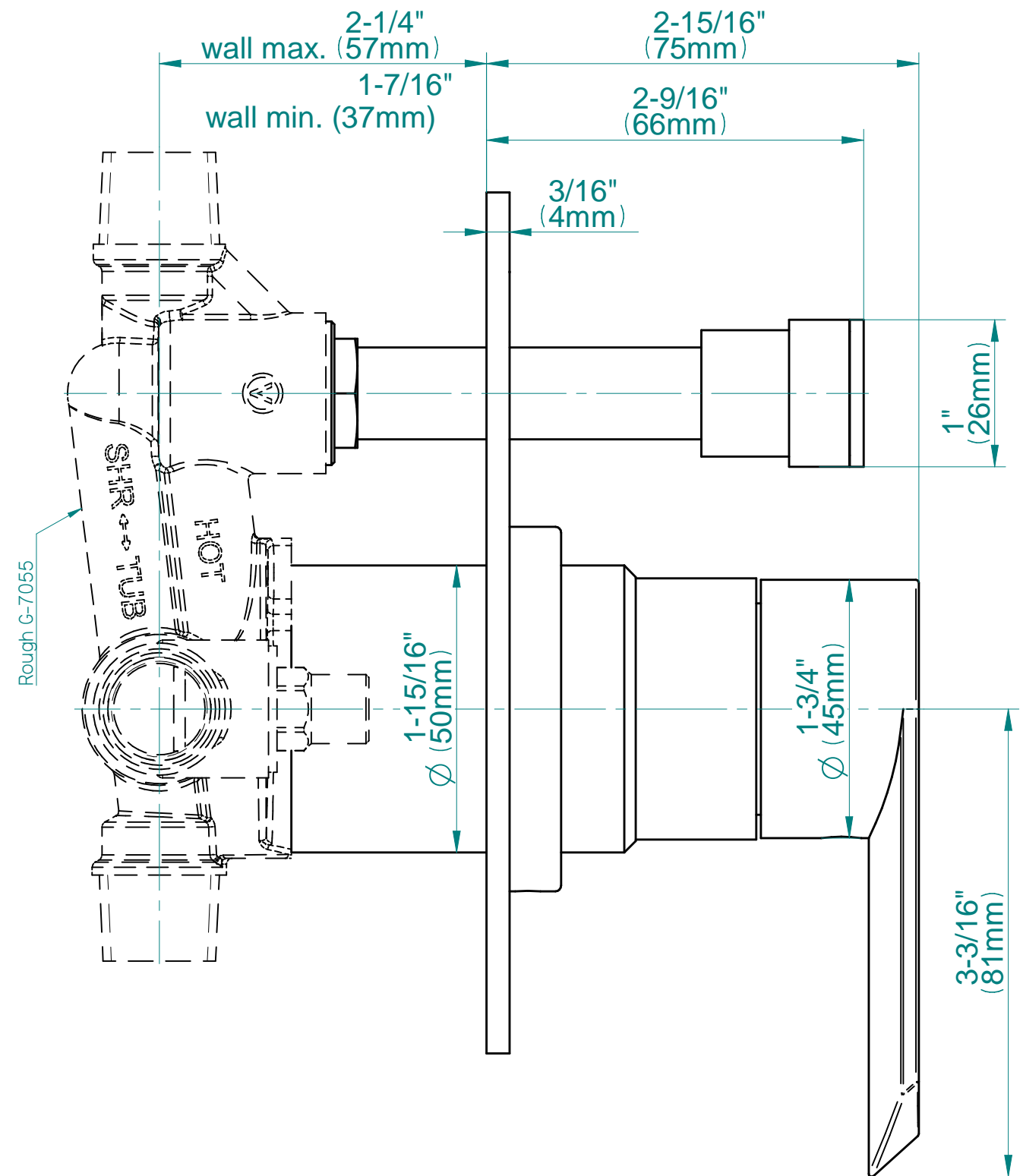
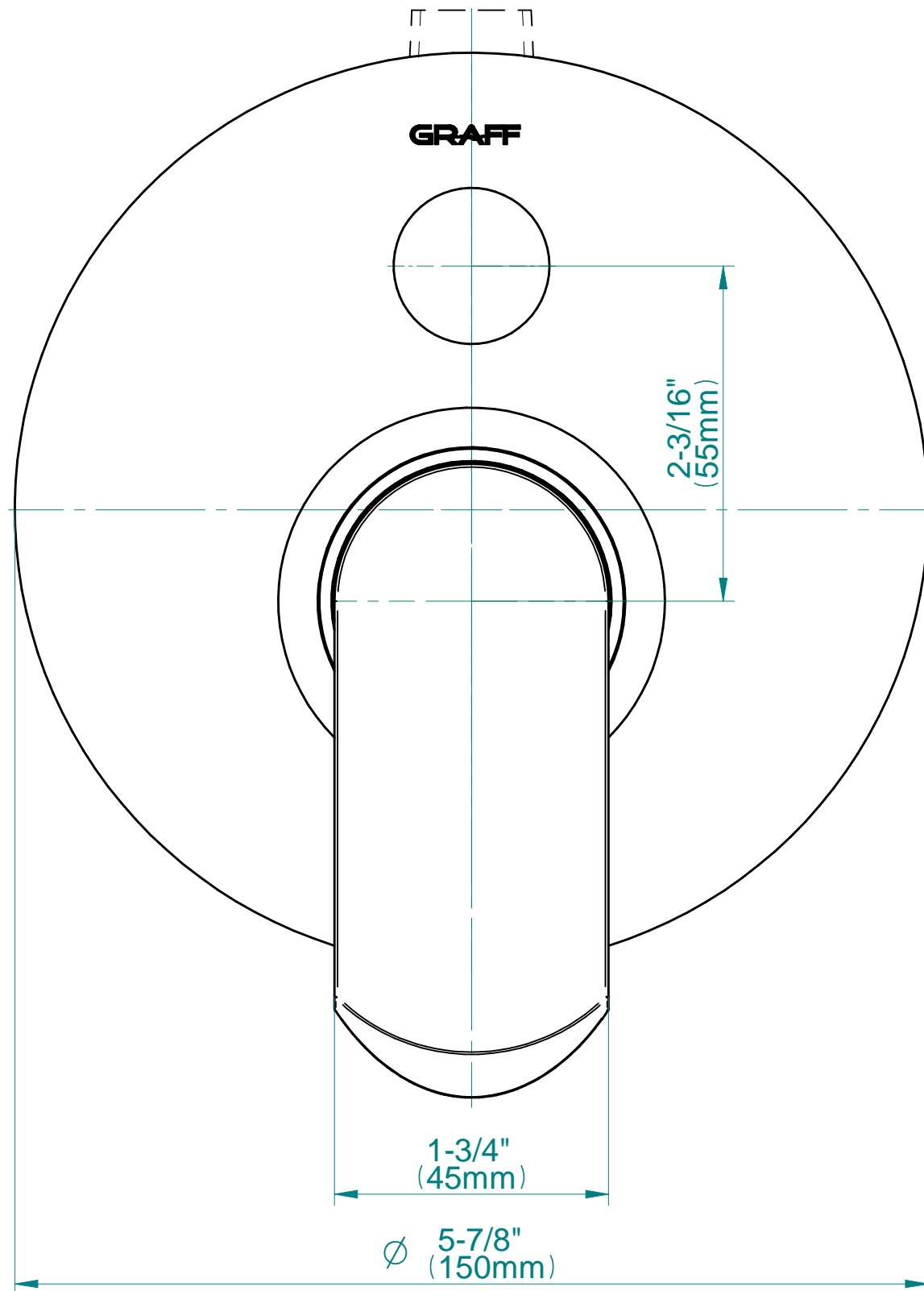
Polished
Nickel



Architectural
White

G-7080-LM45S-T

PHASE Series



SHOWER
Contemporary Showerhead with
Arm
G-8301

GRAFF[®]



Information

- 8" low-profile rain showerhead
- 12" shower arm includes flange
- 169 no-clog, easy-clean rubber spray nozzles
- Showerhead flow rate ≤ 1.8 max gpm
- CALGreen

Finishes



24K Gold



24K Brushed
Gold



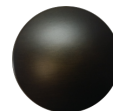
Architectural
Black™



Brushed
Nickel



Matte Black



Olive Bronze



Polished
Chrome



Polished
Nickel



Architectural
White

G-8301

Contemporary Showerhead with Arm



Product Features

- 1/4" thick, 8" round, low-profile rain showerhead
- 12" shower arm includes flange
- 169 no-clog, easy-clean rubber spray nozzles
- 1/2" NPT male thread inlet
- Showerhead flow rate ≤ 1.8 max gpm

Available Finishes

- Polished Chrome
G-8301-PC
- Brushed Nickel
G-8301-BNi
- Polished Nickel
G-8301-PN
- Unfinished Brass*
G-8301-UB*
- Steelnix
G-8301-SN
- Olive Bronze*
G-8301-OB*
- Architectural Black*
G-8301-BK*
- Architectural White*
G-8301-WT*
- Brushed Gold*
G-8301-BAU*

* Special order finish- call for availability

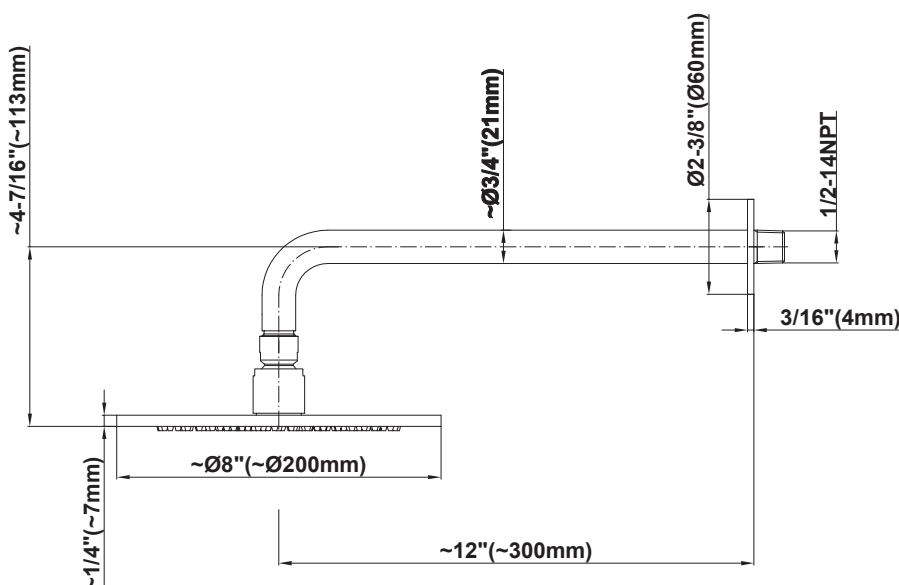
Code Compliance

- CALGreen

Warranty

- Limited lifetime warranty

For complete warranty information go to www.graff-designs.com/en-nam/warranty



The measurements shown are for reference only. Products and specifications shown are subject to change without notice. Revised 12/2017

www.graff-designs.com | phone: 800-954-4723