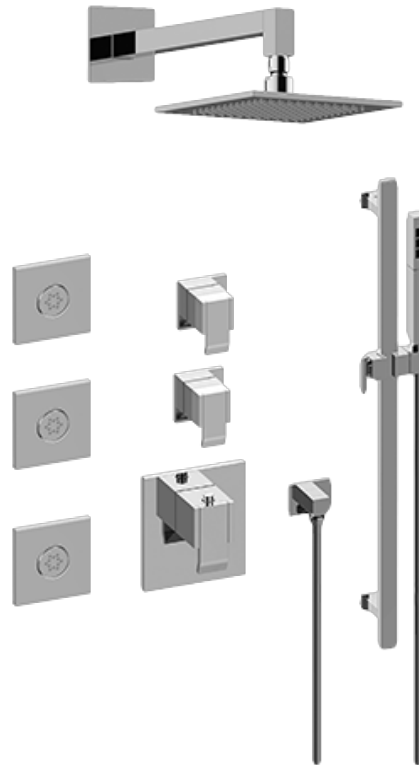


WELLNESS SANCTUARY
M-Series Full Thermostatic
Shower System
GM3.112SH-LM38E0

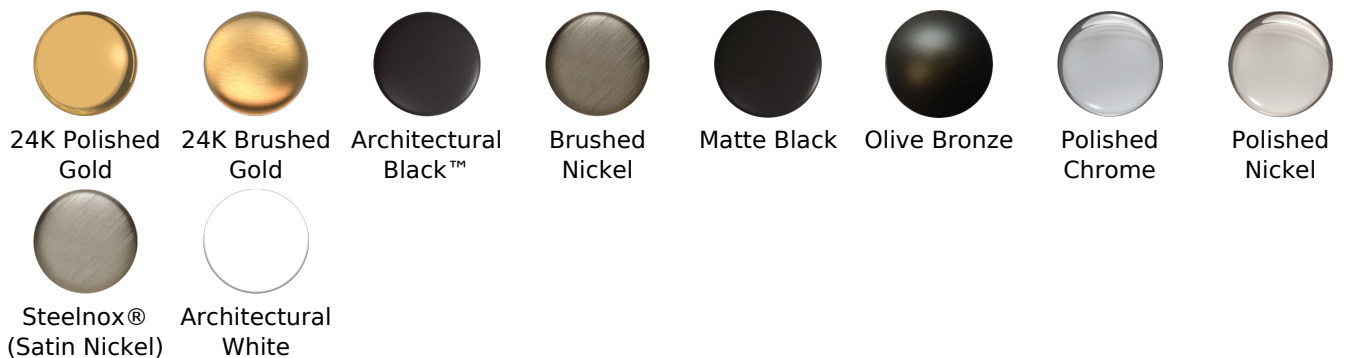
GRAFF®

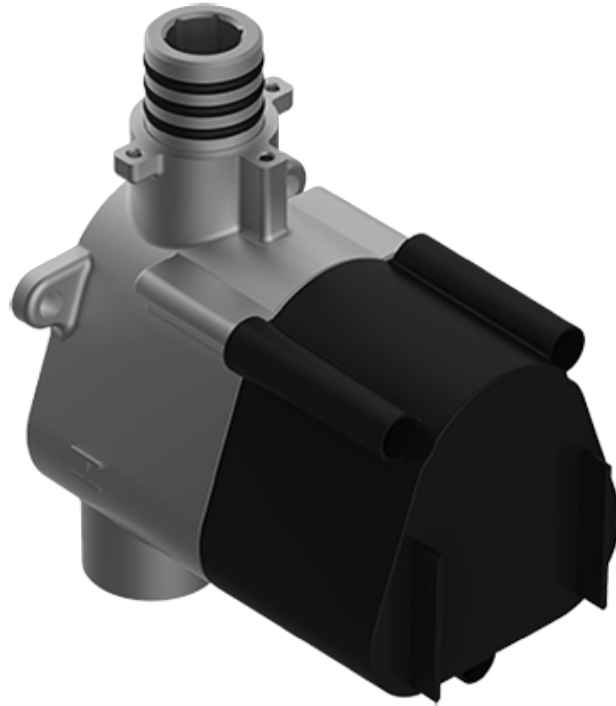


Information

- 3/4" thermostatic valve and trim
- 3/4" stop/volume control valve and 2-way diverter valve and trims
- 8" showerhead with 12" wall-mounted shower arm
- Showerhead features no-clog, easy-clean spray nozzles
- Flush-mounted swivel body sprays (3 pieces)
- Handshower set with wall-mounted slide bar and 59" hose (PVD finishes use 59" flex hose)
- Optional extension kit
- Flow rates: showerhead ≤ 1.8 max gpm, handshower ≤ 1.5 max gpm, body sprays ≤ 1.5 max gpm each
- ADA

Finishes

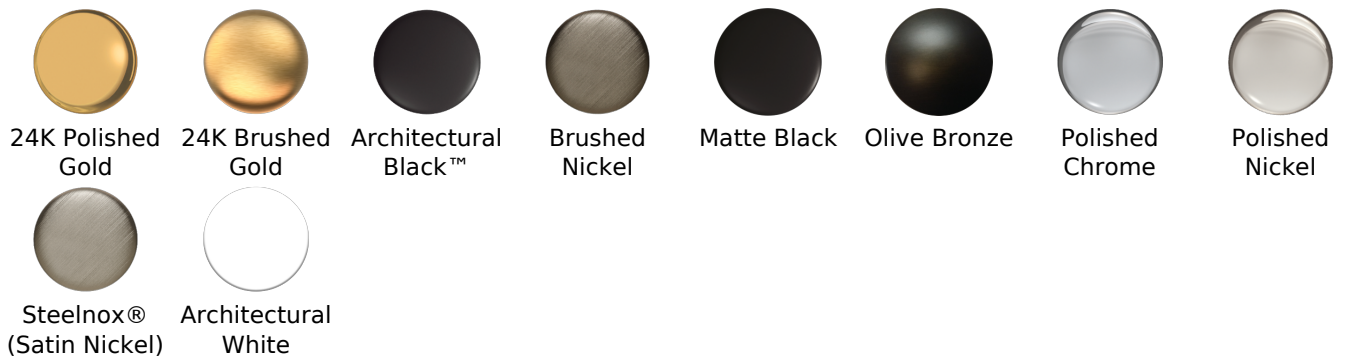




Information

- 12.9 gpm @ 60 psi
- 3/4" universal inlets
- Built-in service stops
- Stacking outlet feature
- Complete serviceability from front of all units
- Supplied with protective plastic cover
- CalGreen compliant dependent on functions

Finishes



G-8006

M-Series

3/4" Concealed Thermostatic Rough Valve



Product Features

- 12.9 gpm @ 60 psi
- 3/4" universal inlets
- Built-in service stops
- Stacking outlet feature
- Complete serviceability from front of all units
- Supplied with protective plastic cover
- CalGreen compliant dependent on functions

Code Compliance

- CALGreen

Warranty

- Limited lifetime warranty

For complete warranty information go to www.graff-faucets.com/en/info/faqs

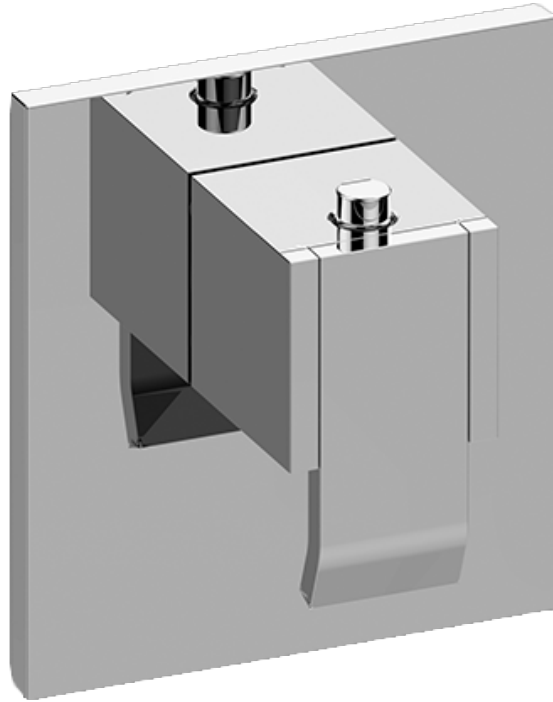


The measurements shown are for reference only. Products and specifications shown are subject to change without notice. Revised 3/2016.

www.graff-faucets.com | phone: 800-954-4723

WELLNESS SANCTUARY
Qubic M-Series Thermostatic
Valve Trim with Handle
G-8043-LM38E-T

GRAFF®



Information

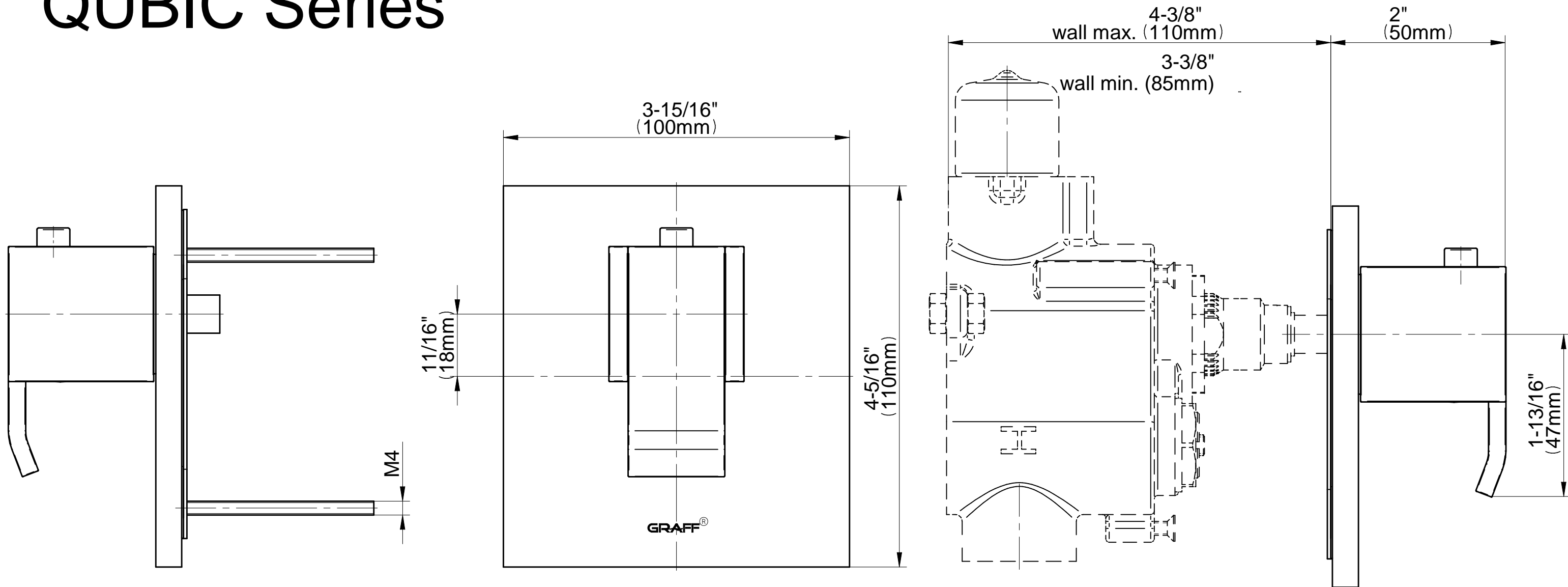
- Single metal handle and decorative trim plate
- Use with G-8006 thermostatic rough valve
- ADA

Finishes



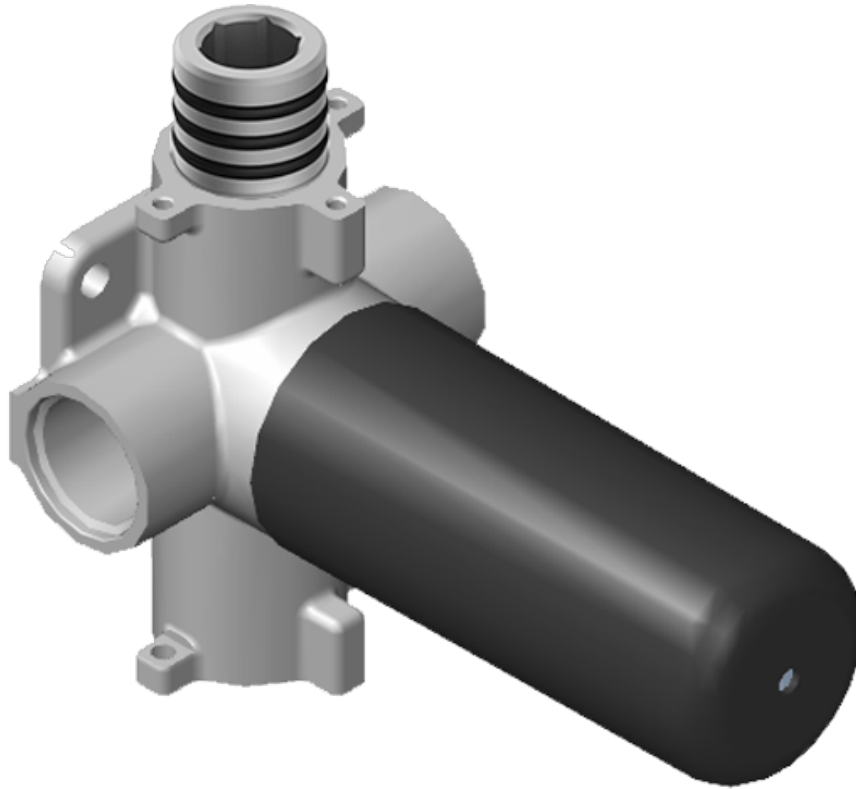
G-8043-LM38E

QUBIC Series



WELLNESS SANCTUARY
Two-Way Diverter Volume Control
Valve WITH Off Function and Pass-
Through
G-8052

GRAFF®



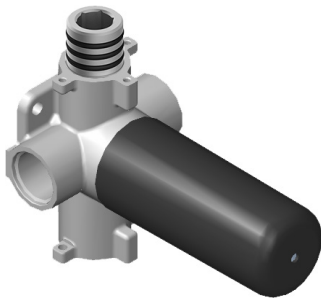
Information

- 11.7 gpm @ 60 psi
- 3/4" universal inlets/outlets with female threads
- Operates one function at a time
- Stacking inlet and pass-through port feature
- Supplied with protective plastic cover
- CALGreen compliant depending on functions

Finishes



G-8052 M-Series
2-Way Diverter Volume Control Valve
WITH Off Function and Pass-Through



Product Features

- 12.1 gpm @ 60 psi
- 3/4" universal inlets/outlets with female threads
- Stacking inlet and pass-through port feature
- Supplied with protective plastic cover
- CalGreen compliant dependent on functions

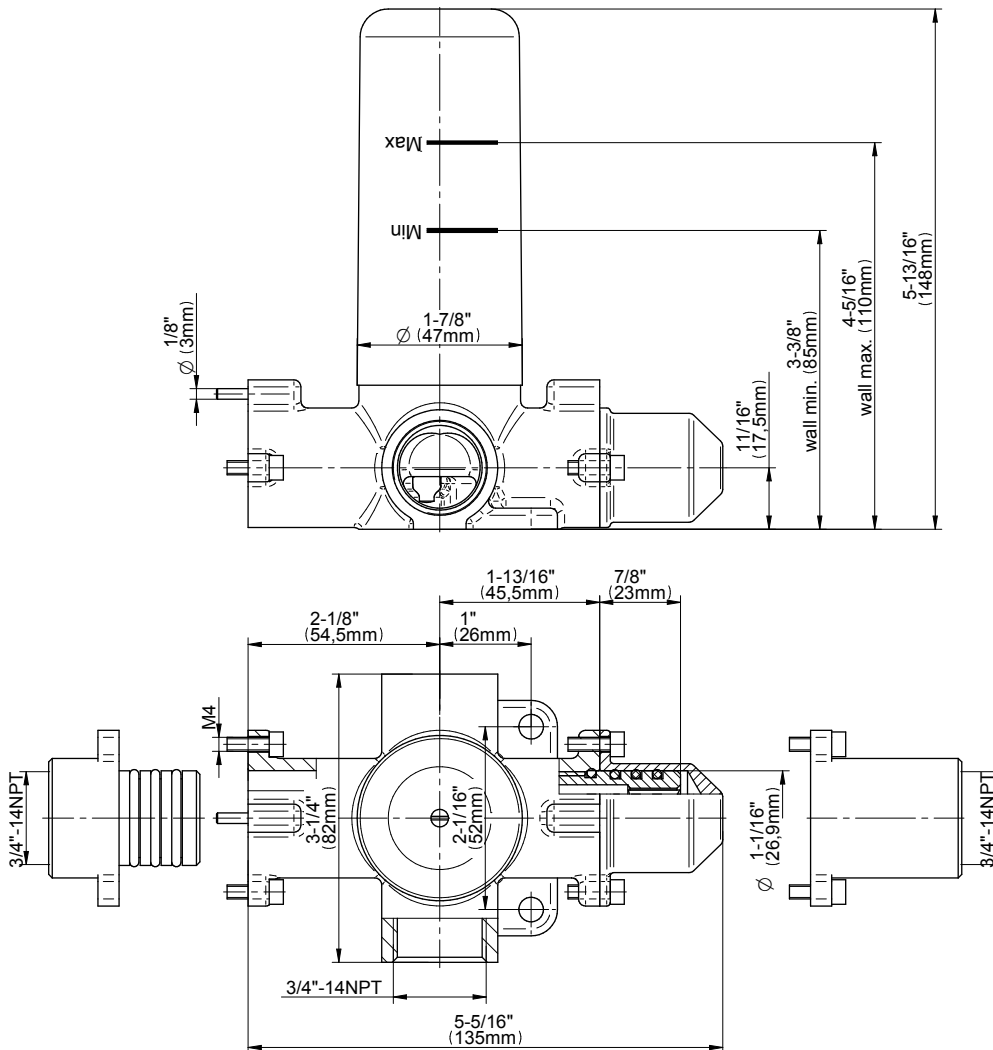
Code Compliance

- CALGreen

Warranty

- Limited lifetime warranty

For complete warranty information go to www.graff-faucets.com/en/info/faqs

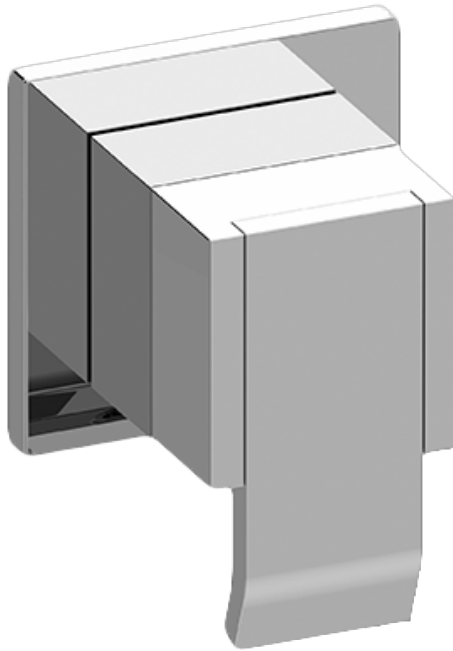


The measurements shown are for reference only. Products and specifications shown are subject to change without notice. Revised 3/2016.

www.graff-faucets.com | phone: 800-954-4723

WELLNESS SANCTUARY
Qubic M-Series 2-Way Diverter
Valve Trim with Handle
G-8071-LM38E1-T

GRAFF[®]



Information

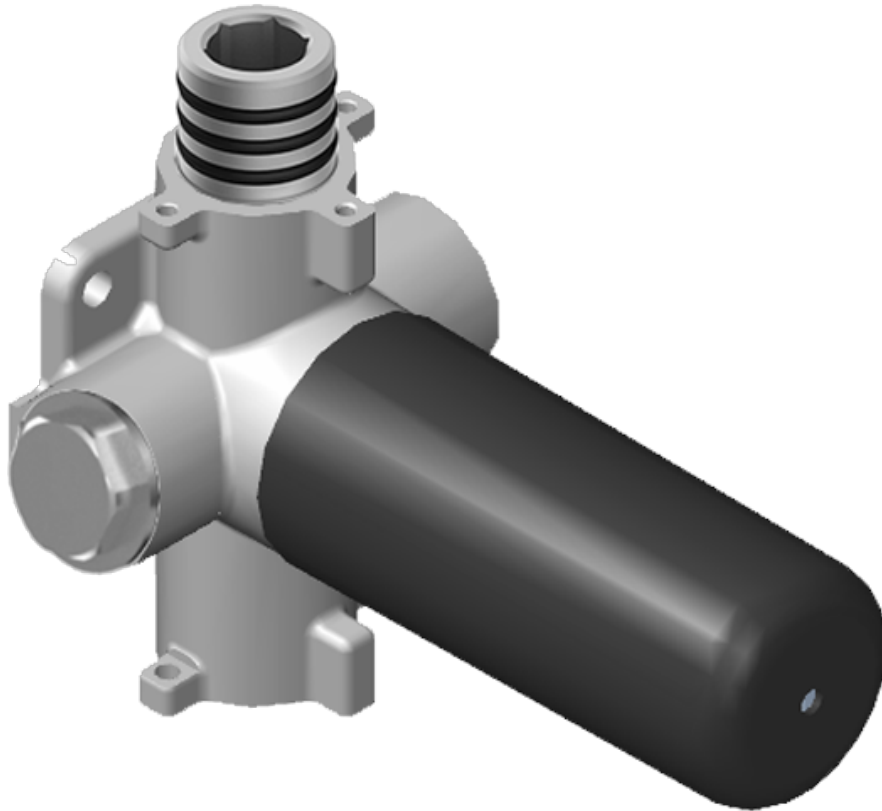
- Single metal handle and decorative trim plate
- Use with G-8052 2-Way Diverter Volume Control Valve WITH Off Function and Pass-Through
- ADA

Finishes



WELLNESS SANCTUARY
Stop/Volume Control Valve with
Pass Through
G-8076

GRAFF®



Information

- 12.3 gpm @ 60 psi
- 3/4" universal inlets/outlets with female threads
- Stacking inlet and pass-through port feature
- Supplied with protective plastic cover
- CalGreen compliant dependent on functions

Finishes

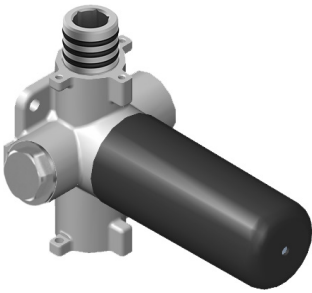


G-8076

M-Series

Stop/Volume Control Rough Valve with Pass-Through

GRAFF[®]
CUTTING EDGE DESIGN



Product Features

- 13.2 gpm @ 60 psi
- 3/4" universal inlets/outlets with female threads
- Stacking inlet and pass-through port feature
- Supplied with protective plastic cover
- CalGreen compliant dependent on functions

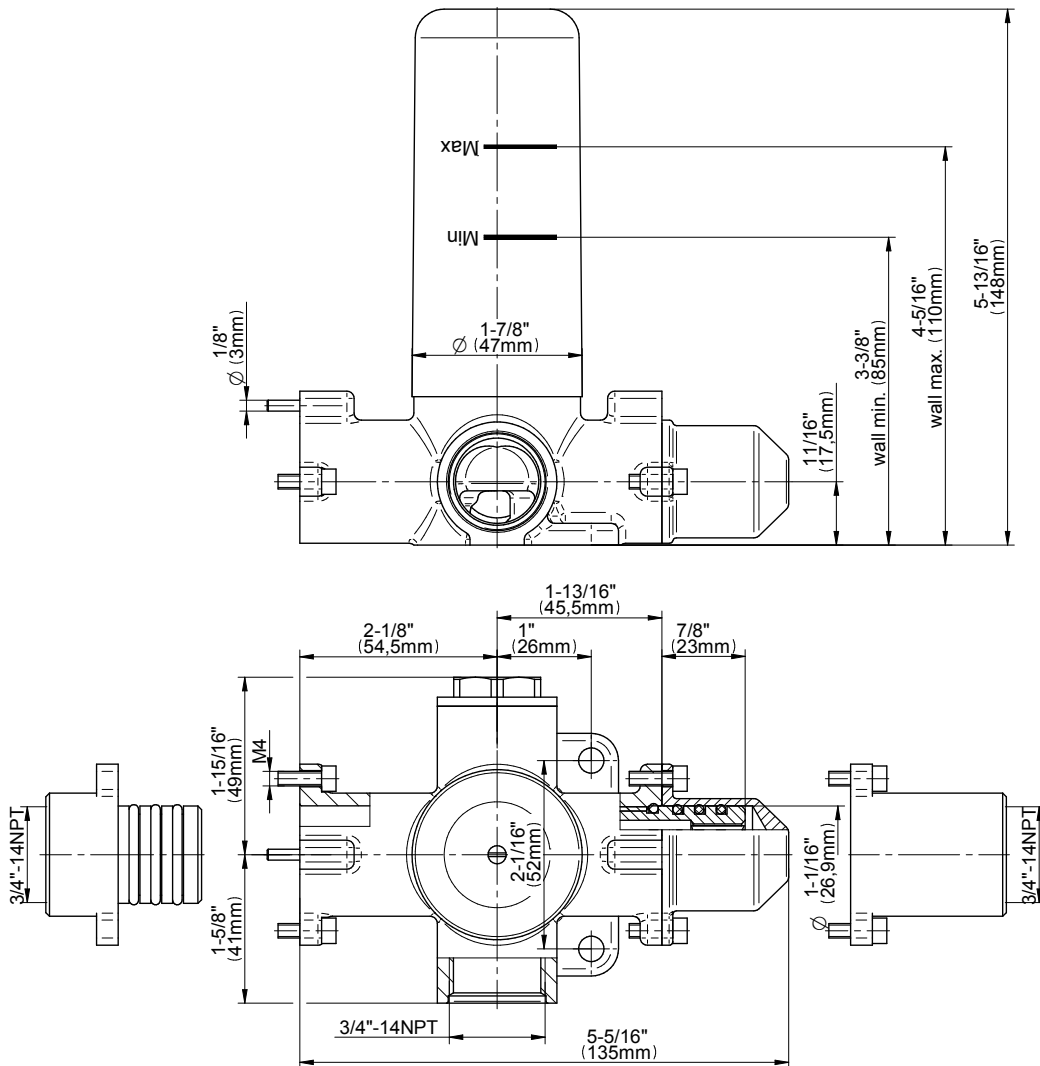
Code Compliance

- CALGreen

Warranty

- Limited lifetime warranty

For complete warranty information go to www.graff-faucets.com/en/info/faqs

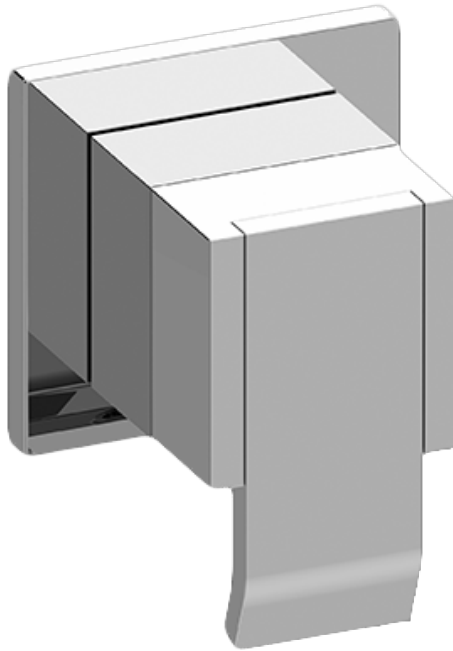


The measurements shown are for reference only. Products and specifications shown are subject to change without notice. Revised 3/2016.

www.graff-faucets.com | phone: 800-954-4723

WELLNESS SANCTUARY
Qubic M-Series Stop/Volume
Control Valve Trim with Handle
G-8098-LM38E1-T

GRAFF[®]



Information

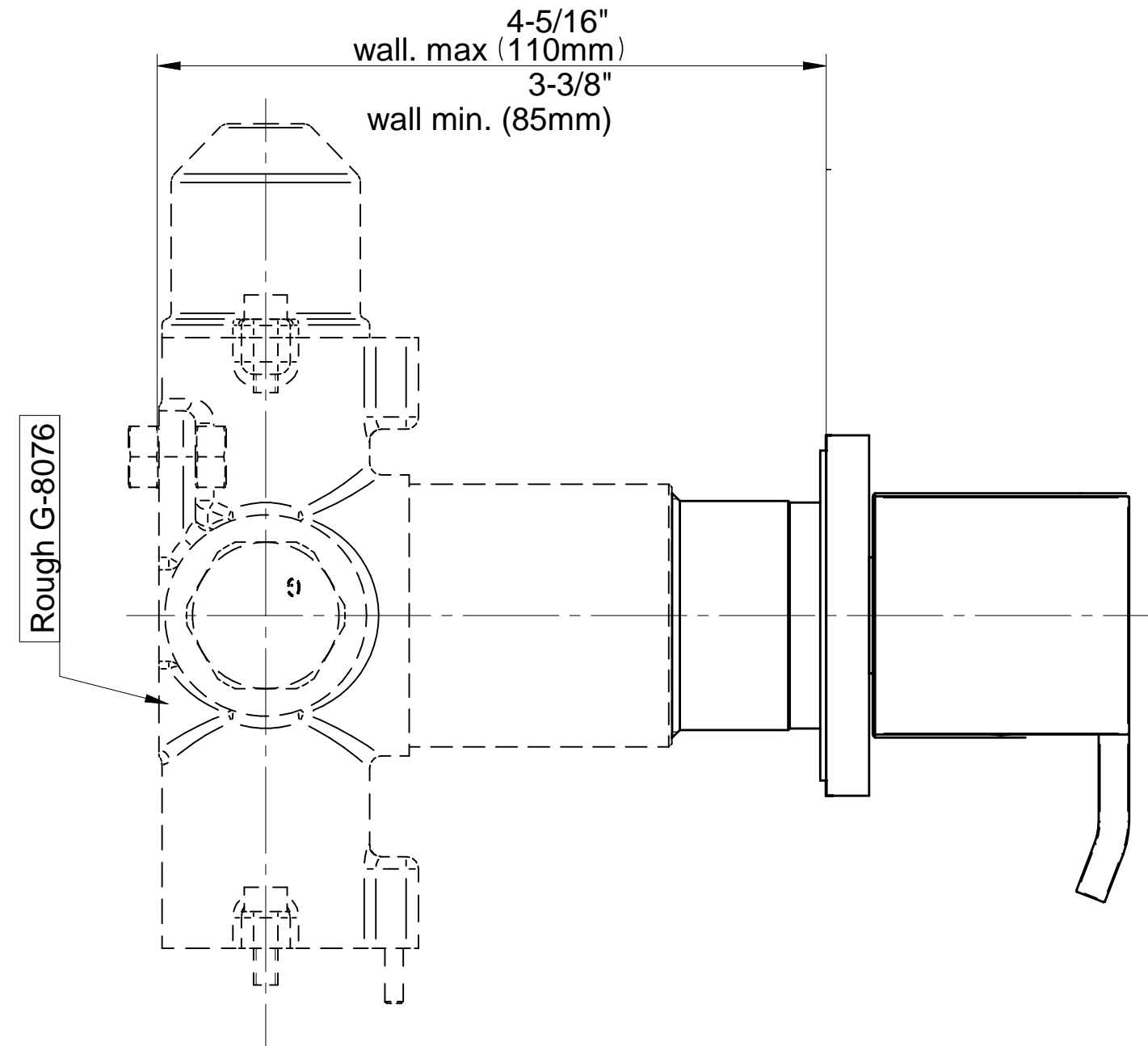
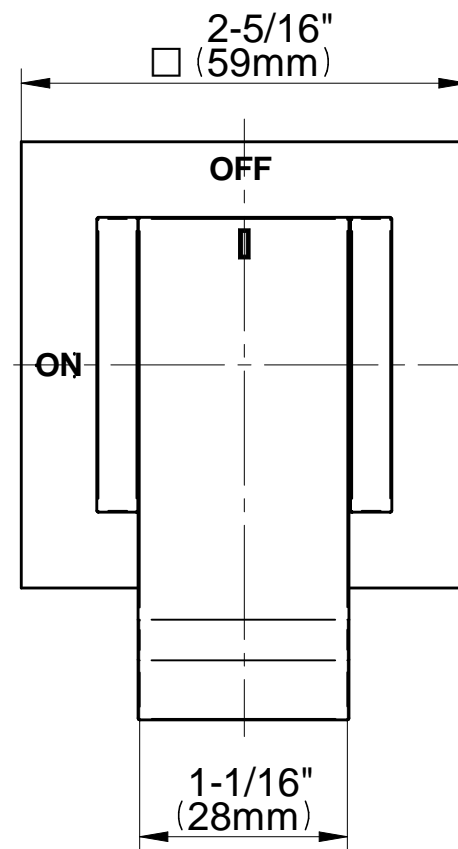
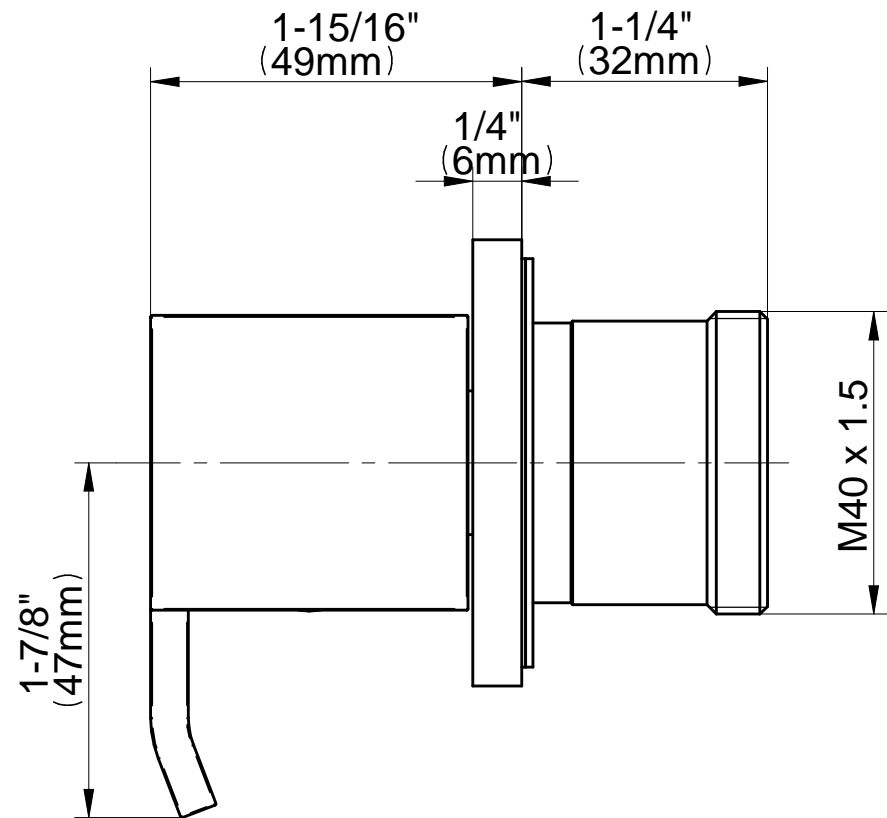
- Single metal handle and decorative trim plate
- Use with G-8076 Stop/Volume Control rough valve with Pass-Through or G-8077 Stop/Volume Control rough valve
- ADA

Finishes



G-8098-LM38E1

QUBIC Series





Information

- 1/4" thick
- 144 no-clog, easy-clean rubber spray nozzles
- Recommended use with ceiling shower arm
- Recommended for use at no more than 10 degrees tilt
- Showerhead flow rate ≤ 1.8 max gpm
- CALGreen

Finishes



G-8438

Aqua-Sense Collection
Contemporary 8" Square Showerhead



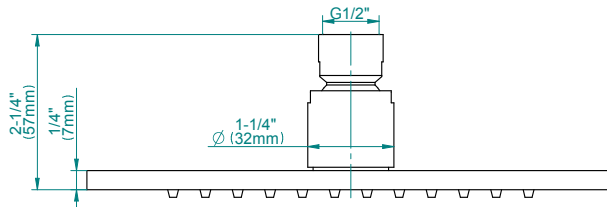
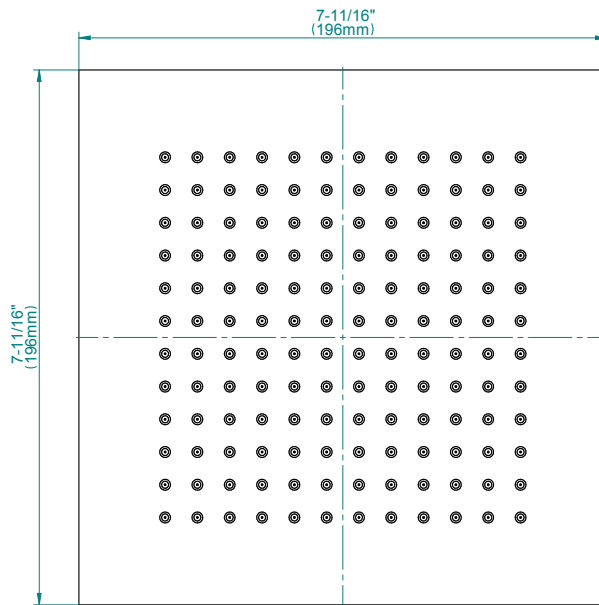
Product Features

- 1/4" thick
- 144 no-clog, easy-clean rubber spray nozzles
- Showerhead flow rate ≤ 1.8 max gpm

Available Finishes

- Polished Chrome
G-8438-PC
- Brushed Nickel
G-8438-PN
- Polished Nickel
G-8438-BNi
- Unfinished Brass*
G-8438-UB*
- Steinox
G-8438-SN
- Olive Brass*
G-8438-OB*
- Architectural Black with Chrome Accents*
G-8438-PC/BK*
- Gold*
G-8438-AU*
- Brushed Gold*
G-8438-BAU

* Special order finish- call for availability



Code Compliance

- CALGreen

Warranty

- Limited lifetime warranty

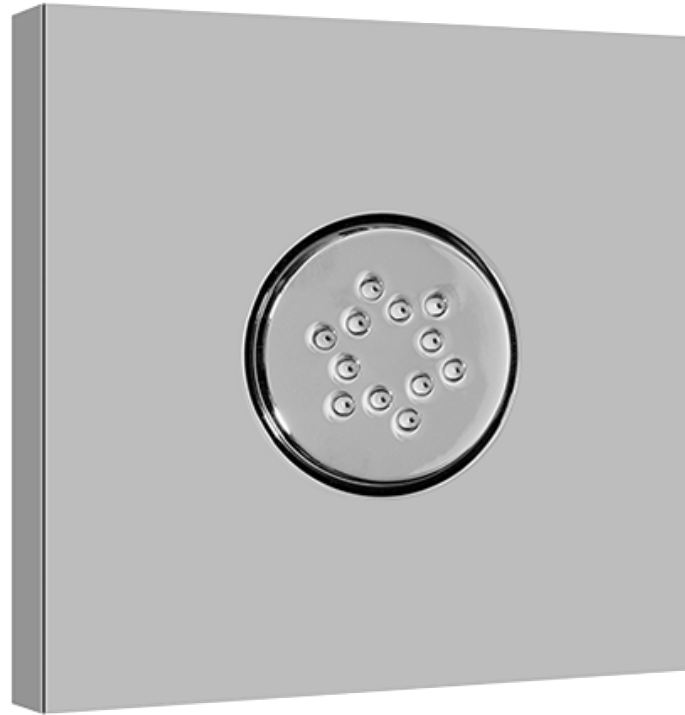
For complete warranty information go to www.graff-designs.com/en-nam/warranty

The measurements shown are for reference only. Products and specifications shown are subject to change without notice. Revised 12/2017

www.graff-designs.com | phone: 800-954-4723

WELLNESS SANCTUARY
Square Flush Mount Body Spray
w/ Solid Brass Swivel Head
G-8497

GRAFF[®]



Information

- 12 no-clog, easy-clean silicon jets
- Metal ball-joint allows for 18° angle adjustment of body spray
- Brass wall escutcheon and flush-mounted trim
- 1/2" NPT female thread inlet
- Body spray flow rate ≤ 1.5 max gpm

Finishes



G-8497

Shower Components

Contemporary Flush-Mount Body Spray with Solid Brass Swivel Head



Product Features

- 12 no-clog, easy-clean silicone jets
- Metal ball-joint allows for 18° angle adjustment of body spray
- Brass wall escutcheon and Flush-mounted trim
- 1/2" NPT female thread inlet
- Body spray flow rate ≤ 1.5 max gpm

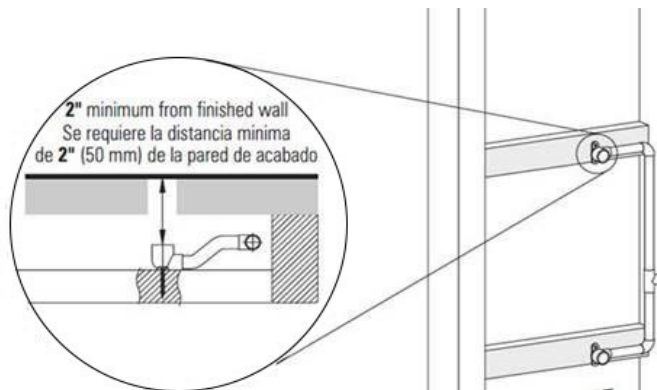
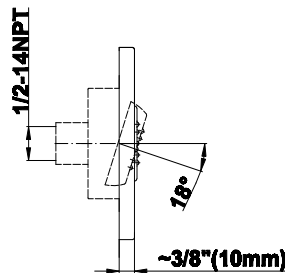
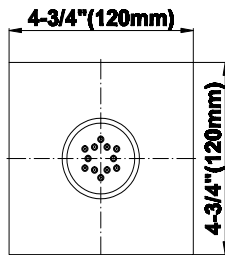
Warranty

- Limited lifetime warranty

For complete warranty information go to www.graff-designs.com/en-nam/warranty

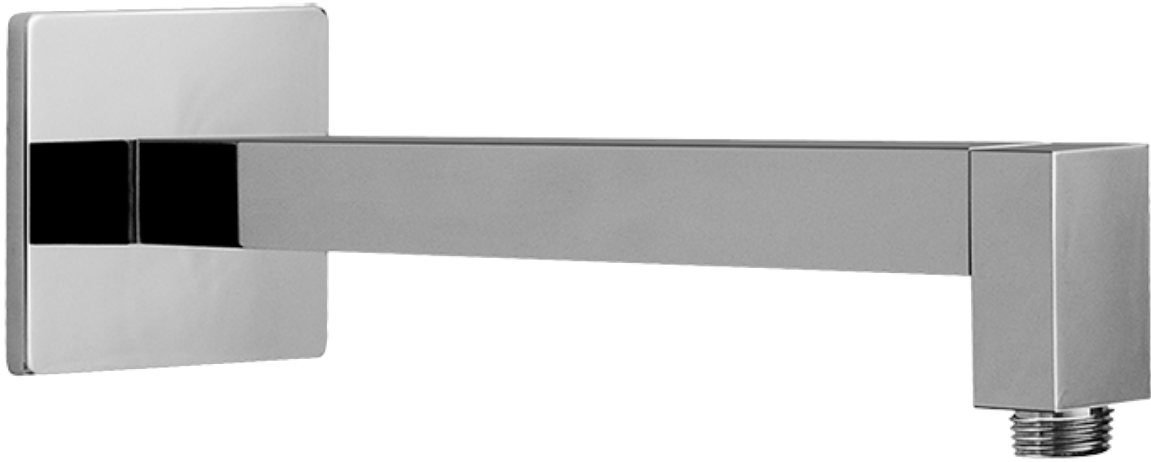
Available Finishes

- Polished Chrome
G-8497-PC
- Polished Nickel
G-8497-PN
- Brushed Nickel
G-8497-BNi
- Matte Black*
G-8497-MBK*
- Architectural Black*
G-8497-BK*
- Architectural White*
G-8497-WT*
- Olive Brass
G-8497-OB
- Gunmetal*
G-8497-GM*
- Steelnox
G-8497-SN
- OR'osa PVD*
G-8497-RG*
- Onyx PVD*
G-8497-OX*
- Polished Brass PVD*
G-8497-PB*
- Brushed Brass PVD*
G-8497-BB*
- Brushed Gold*
G-8497-BAU*
- Gold*
G-8497-AU*
- Gunmetal Distressed*
G-8497-GMD*



WELLNESS SANCTUARY
Contemporary 12" Shower Arm
G-8530

GRAFF®



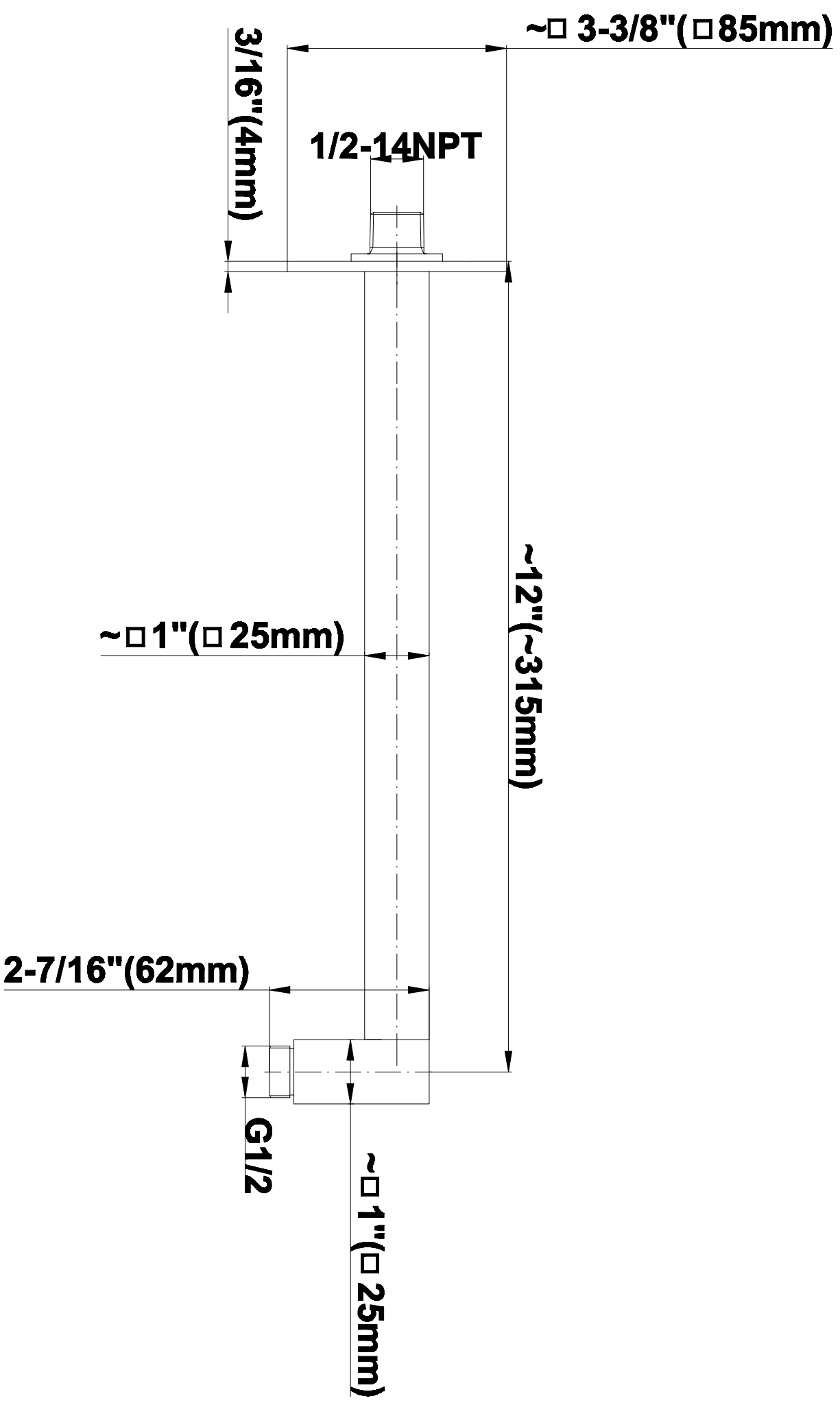
Information

- Includes arm and square flange
- 1/2" NPT male thread inlet
- For use with all showerheads (especially G-8438)

Finishes



G-8530





Information

- Brass spiral flexible hose with conical nut

Finishes



24K Polished Gold



24K Brushed Gold



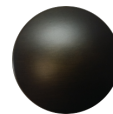
Architectural Black™



Brushed Nickel



Matte Black



Olive Bronze



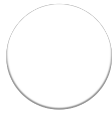
Polished Chrome



Polished Nickel



Steelnox®
(Satin Nickel)



Architectural
White



Product Features

- Brass spiral flexible hose with conical nut

Warranty

- Limited lifetime warranty

For complete warranty information go to www.graff-designs.com/en-nam/warranty

Available Finishes

- Polished Chrome
G-8605-PC
- Polished Nickel
G-8605-PN
- Brushed Nickel
G-8605-BNi
- Unfinished Brushed Brass*
G-8605-UBB*
- Unfinished Brass*
G-8605-UB*
- Matte Black*
G-8605-MBK*
- Architectural Black*
G-8605-BK*
- Architectural White*
G-8605-WT*
- Olive Brass*
G-8605-OB*
- Gunmetal*
G-8605-GM*
- Vintage Brushed Brass*
G-8605-VBB*
- Steelnox (Satin Nickel)
G-8605-SN
- 24K Brushed Gold*
G-8605-BAU*
- 24K Gold*
G-8605-AU*
- Gunmetal Distressed*
G-8605-GMD*

* Special order finish- call for availability



WELLNESS SANCTUARY
Contemporary Square Wall-
Mounted Slide Bar
G-8631

GRAFF®



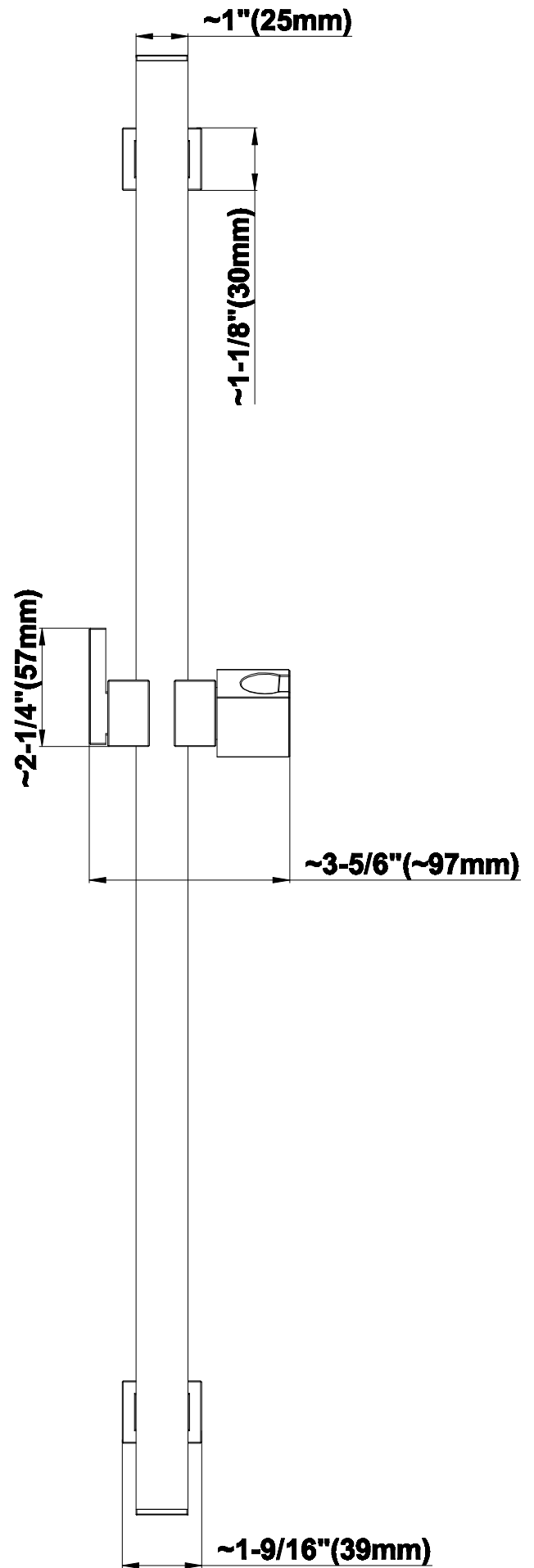
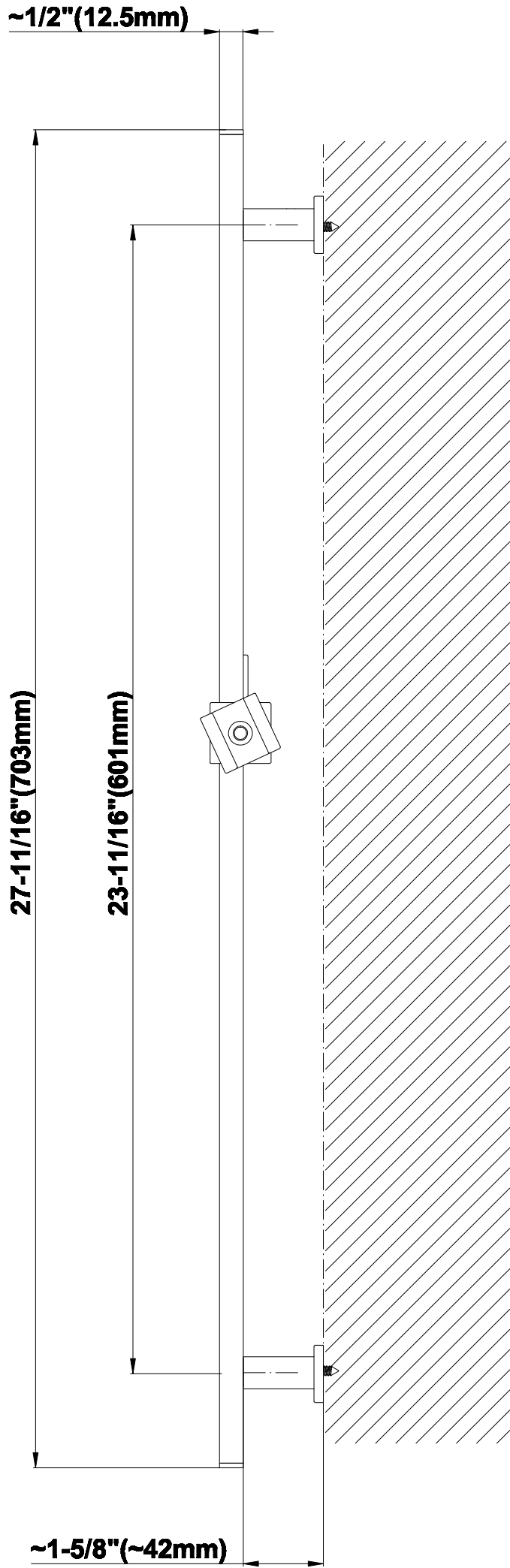
Information

- 27 11/16" tall wall-mounted slide bar
- Adjustable bracket fits all hoses with conical nut

Finishes



G-8631



WELLNESS SANCTUARY
Contemporary Square Wall Supply
Elbow
G-8633

GRAFF®



Information

- 1/2" NPT female thread inlet

Finishes



G-8633

Contemporary Square Wall Supply Elbow



Product Features

- 1/2" NPT female thread inlet

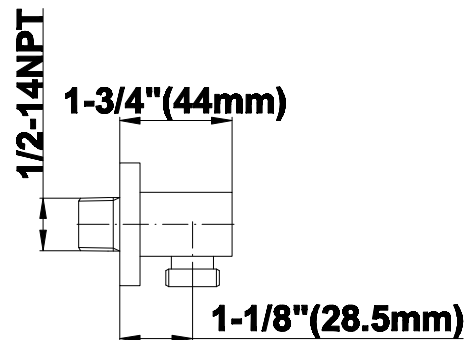
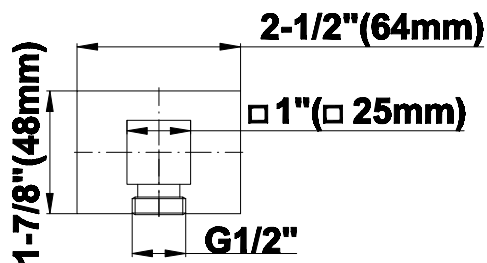
Available Finishes

- Polished Chrome
G-8633-PC
- Steelnox[®]
G-8633-SN
- Architectural Black w/Chrome
Accents
G-8633-PC/BK

Warranty

- Limited lifetime warranty

For complete warranty information go to
<http://www.graff-faucets.com/en/info/faqs>



WELLNESS SANCTUARY
Contemporary Square
Handshower
G-8644

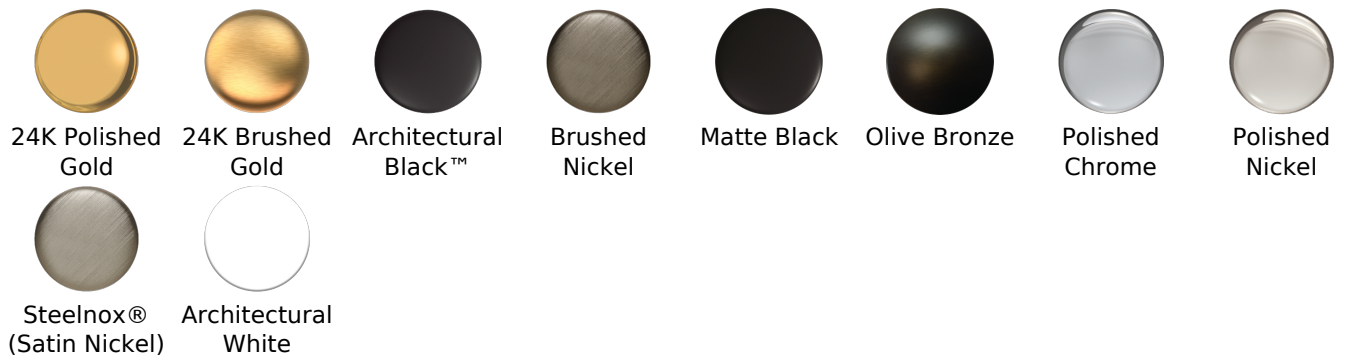
GRAFF®



Information

- Solid brass construction
- Smooth, all-metal handle
- Shower hose not included
- Handshower flow rate ≤ 1.5 max gpm
- CALGreen

Finishes



G-8644

