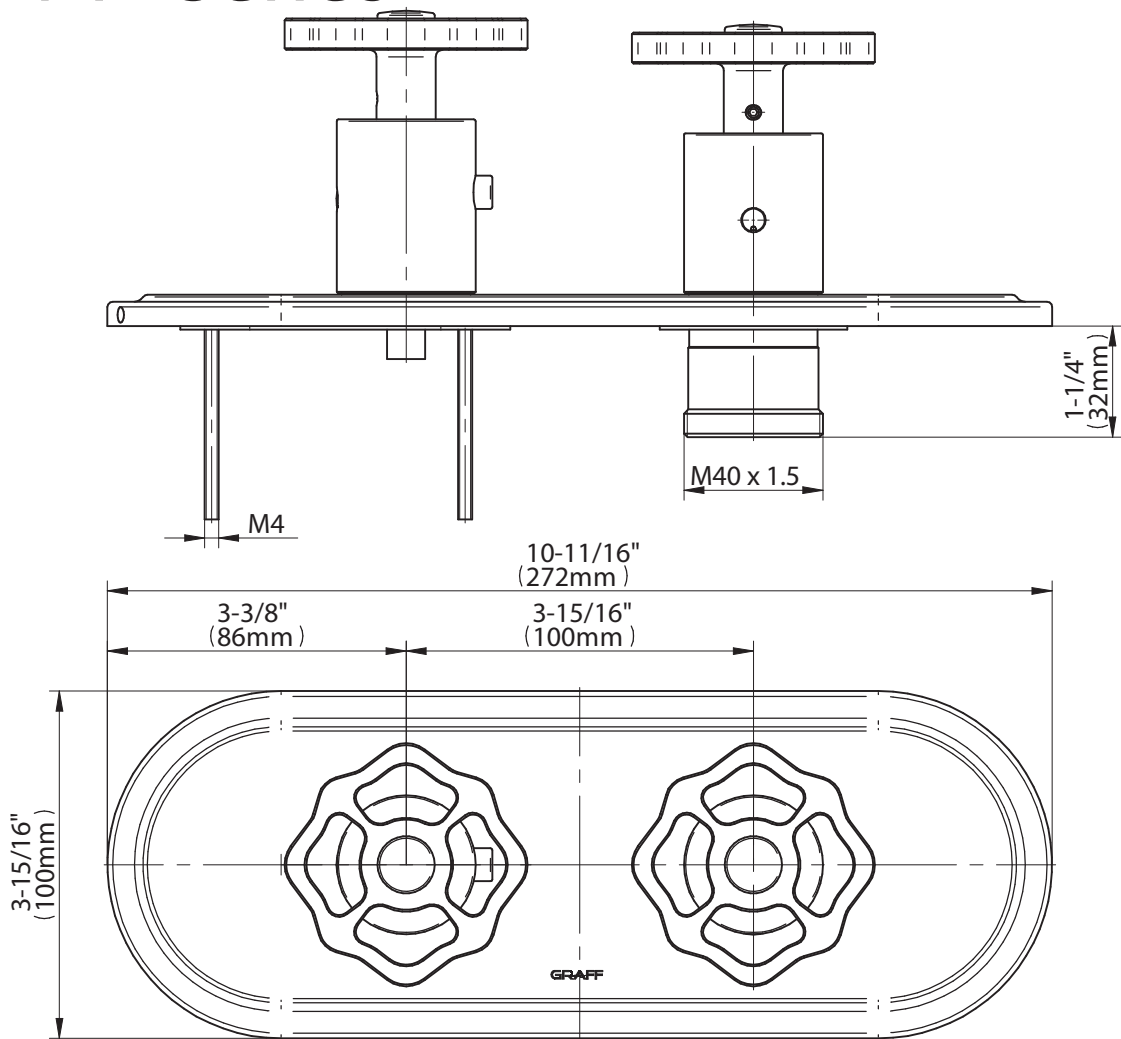


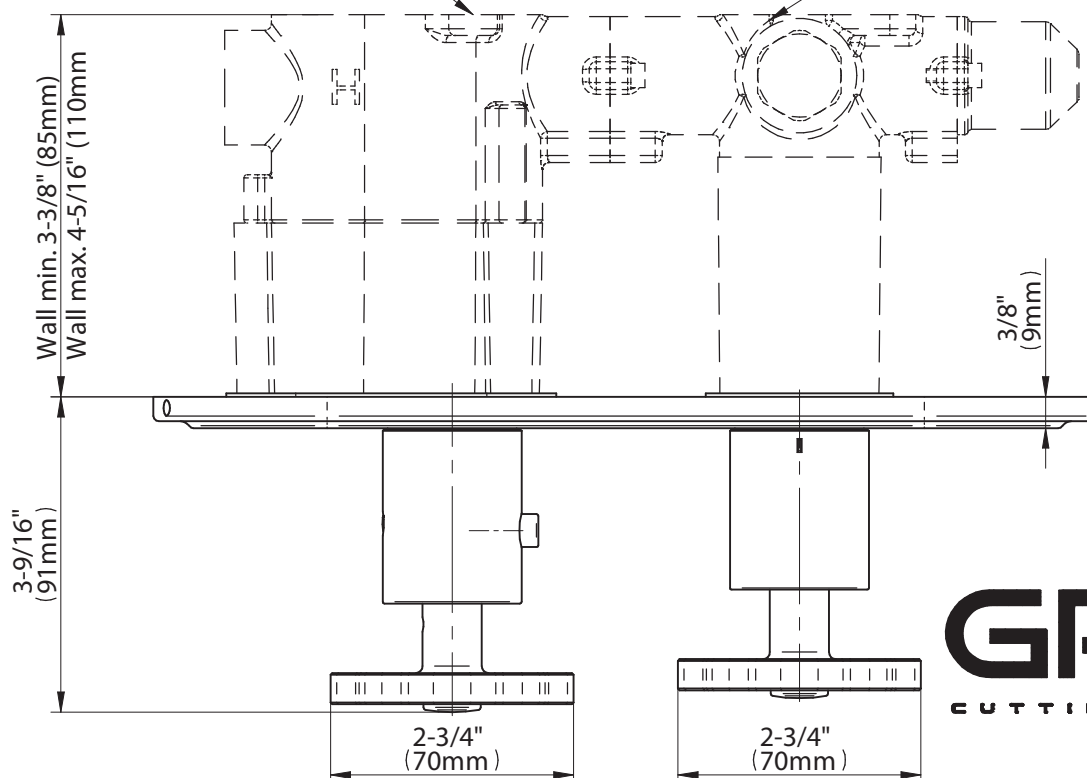
G-8086-C18E0

M - Series



Rough G-8006

Rough G-8052 or G-8053
or G-8076



GRAFF[®]
CUTTING EDGE DESIGN