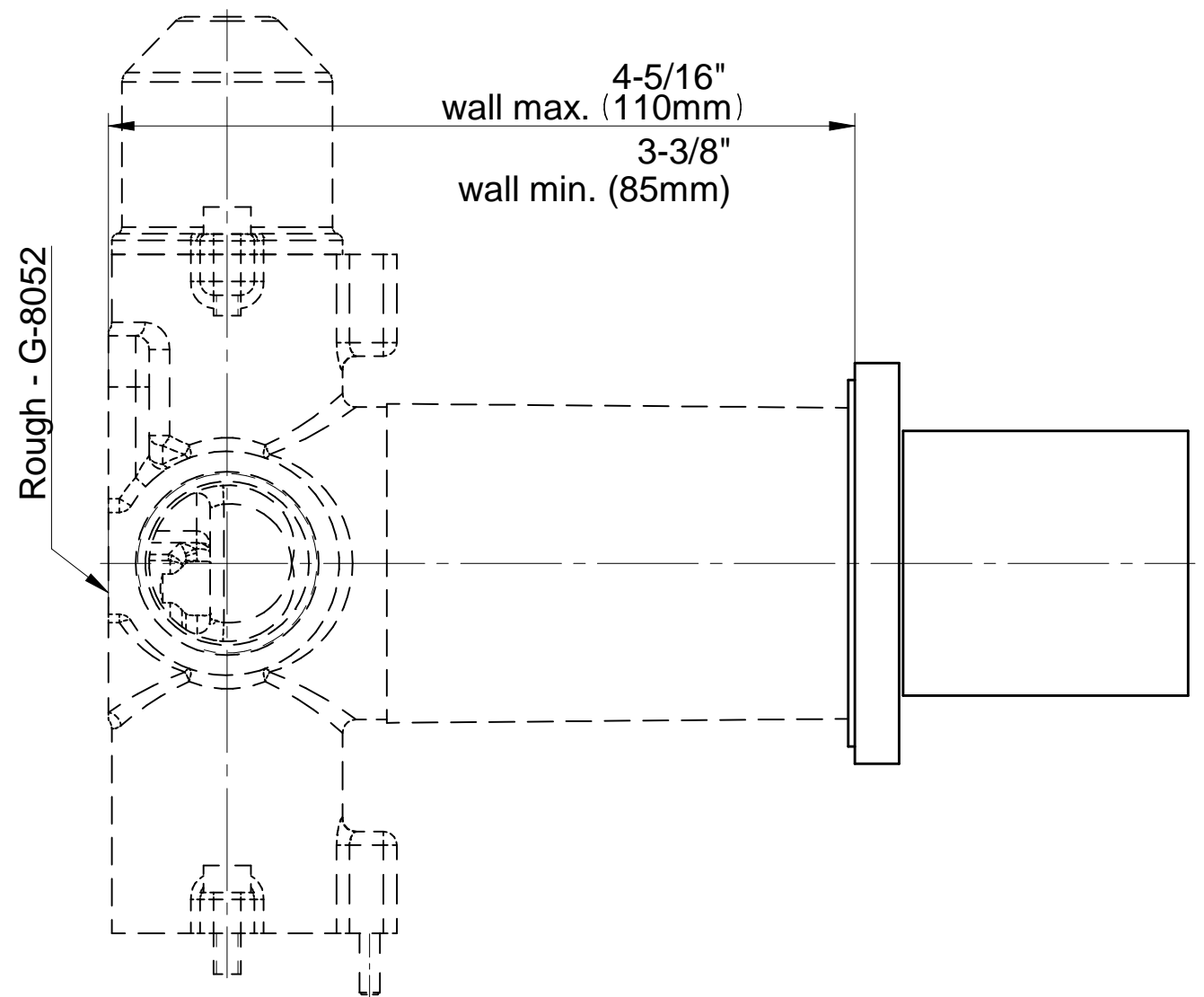
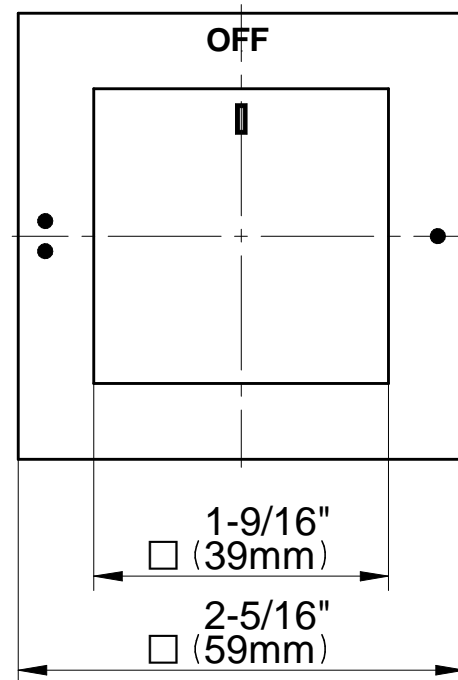
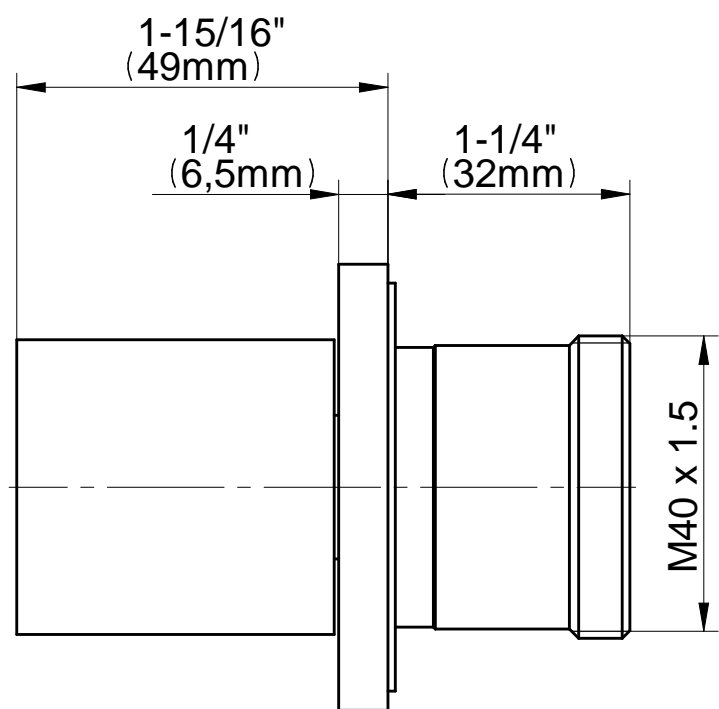


G-8071-SH1-T

2-way Diverter Valve - Trim - M-Series



GRAFF[®]
CUTTING EDGE DESIGN