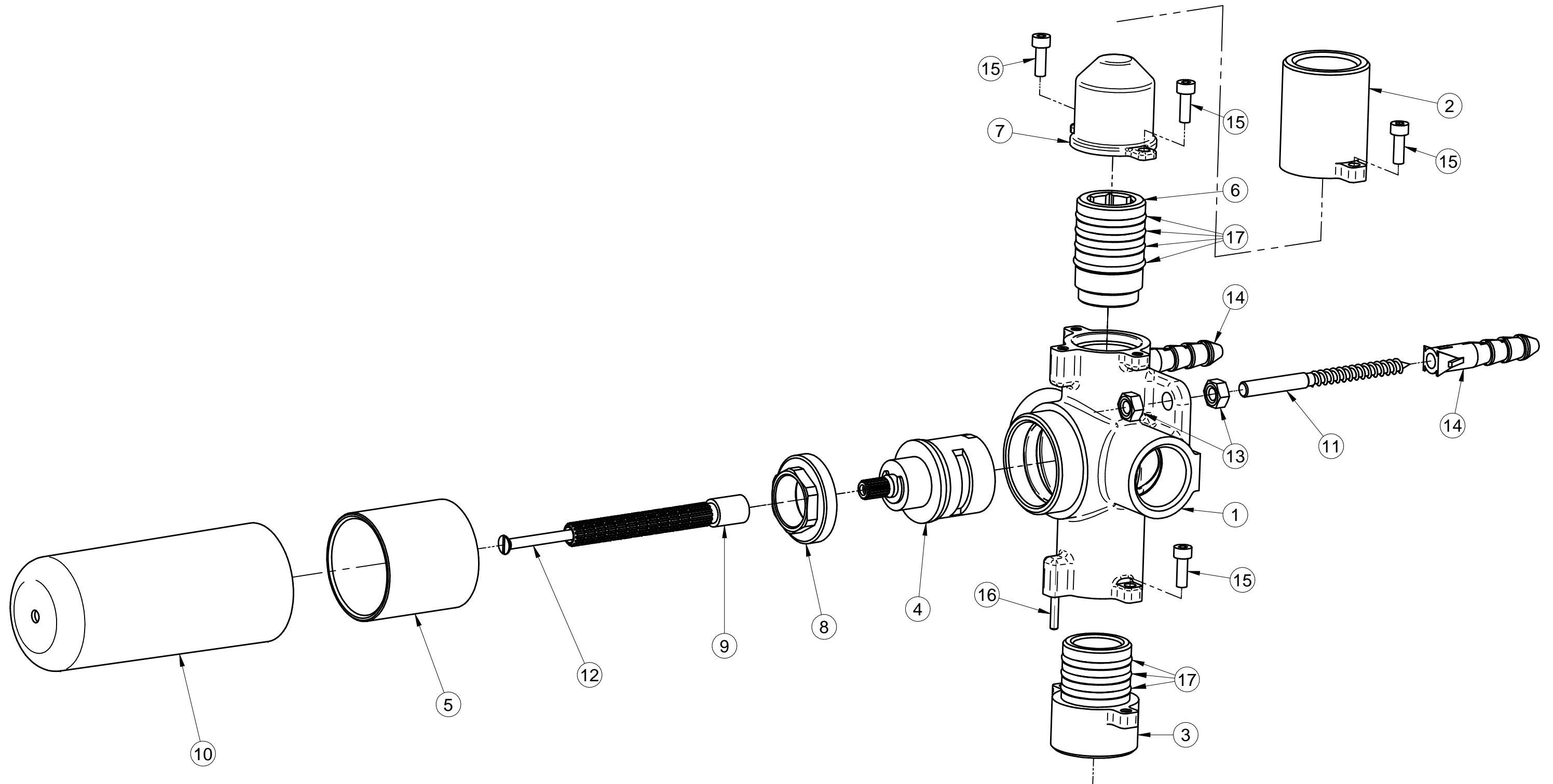


G-8052

2-way Diverter Valve - Rough - M-Series



POS NO.	SPARE PART DESCRIPTION	PCS	ITEM NO.
	Concealed 2-way diverter valve -rough G-8052		2858100
1	3-way diverter body NPT3/4	1	2858110
2	Connector 1	1	5119910
3	Connector 2	1	5121910
4	Diverter BF15109 -2 way	1	5119235
5	Body sleeve	1	5119220
6	Connector	1	5119040
7	Cap	1	5119270
8	Nut M35x1.5	1	5119260
9	Extension head 1/2	1	2800190
10	Diverter cover	1	5119245
11	Hanger Bolt M6x80	2	5119105
12	Screw M4x80 ISO 2009	1	9903219
13	Nut M6 -ISO 4032 -zinc plated	4	9901041
14	Expansion bolt 10x50	2	9903291
15	Screw M4x12 ISO4762	6	9903123
16	Dowel pin ISO2338 -3 h8 x20 -A1	1	9924110
17	OR 21,89x2,62	7	9916253