

*ENERGY-EFFICIENT CLASSIC
R-32 SPLIT SYSTEM AIR CONDITIONER
UP TO 15.2 SEER2
1½ To 5 TONS*



R32

Contents

Nomenclature..... 2
 Product Specifications..... 3
 Expanded Cooling Data 4
 Performance Data 18
 Dimensions 20
 Wiring Diagrams 21
 Accessories 24

Standard Features

- Energy-efficient compressor
- Fully charged for 15' of tubing length
- Copper tube/ enhanced aluminum fin coil-5mm diameter
- Factory-installed filter drier
- Sweat connection service valves with easy access to gauge ports
- Enclosed contactor
- High-pressure switch
- Ground lug connection
- Capacitors with extended life
- AHRI Certified
- ETL Listed

Cabinet Features

- Removable grille-style top design compliant with UL 60335-2-40
- Venturi for increased velocity of airflow
- Attractive Architectural Gray powder-paint finish with 500-hour salt-spray approval
- Wire fan discharge grille
- Steel louver coil guard
- Top and side maintenance access
- Single-panel access to controls with space provided for field-installed accessories
- When properly anchored, meets the 2023 Florida Building Code unit integrity requirements for hurricane-type winds (Anchor bracket kits available.)

10 PARTS LIMITED YEAR WARRANTY*

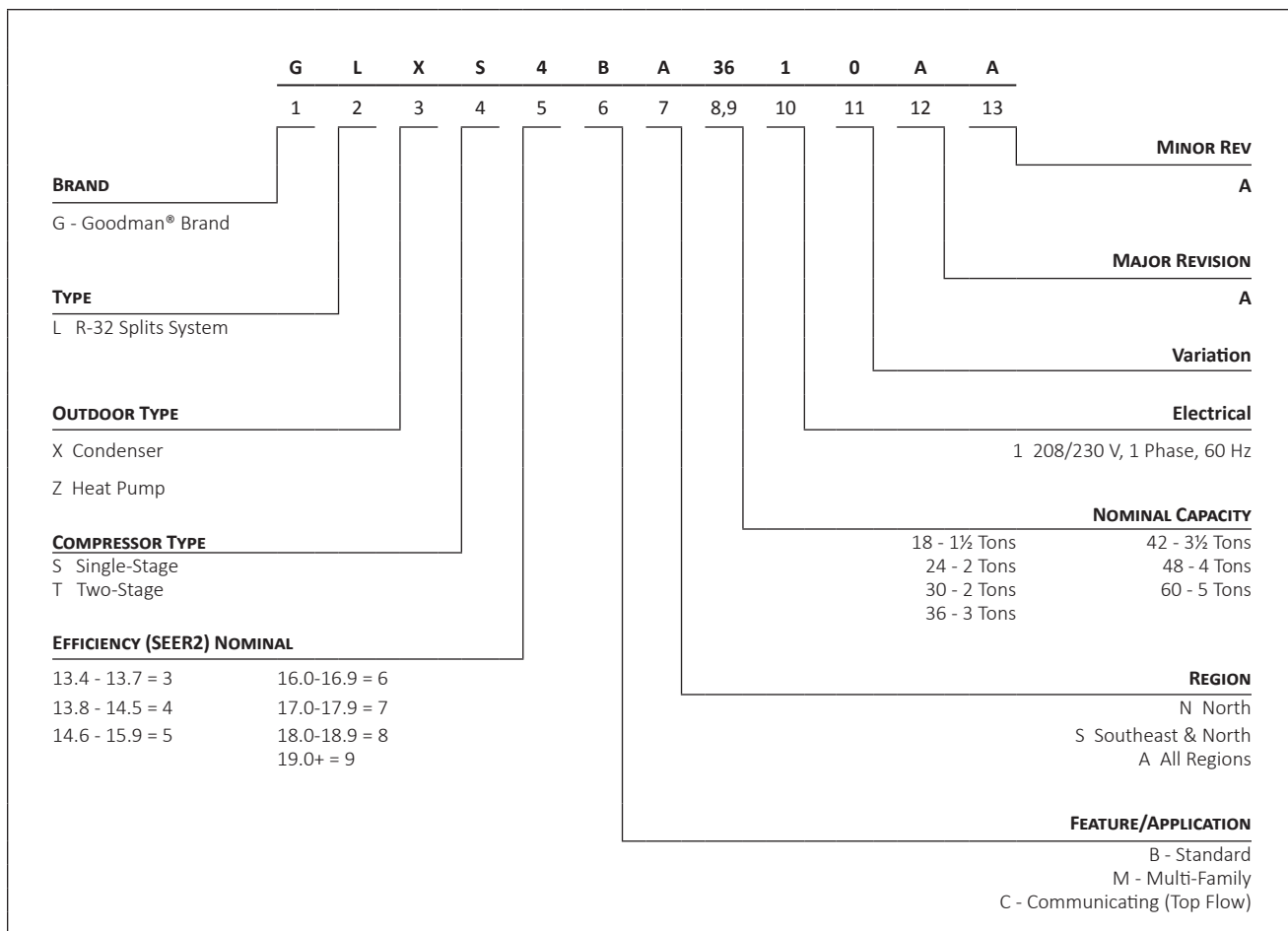


COMPANY WITH QUALITY SYSTEM CERTIFIED BY DNV GL = ISO 9001 =

COMPANY WITH ENVIRONMENTAL SYSTEM CERTIFIED BY DNV GL = ISO 14001 =



* Complete warranty details available from your local dealer or at www.goodmanmfg.com. To receive the 10-Year Parts Limited Warranty, online registration must be completed within 60 days of installation. Online registration is not required in California or Québec. The duration of warranty coverage in Texas and Florida differs in some cases.



	GLXS4B A1810A*	GLXS4B A2410A*	GLXS4B A3010A*	GLXS4B A3610A*	GLXS4B A4210A*	GLXS4B A4810A*	GLXS4B A6010A*
COOLING CAPACITY							
Nominal Cooling (BTU/h)	18,000	24,000	30,000	36,000	42,000	48,000	60,000
Decibels (dBA)	74.0	74.0	71.0	67.0	72.0	73.0	76.0
COMPRESSOR							
RLA	8.2	8.2	11.2	13.4	14.4	19.4	23.9
LRA	41.2	41.2	52.5	83.3	112.2	127.7	148.0
Stage	Single	Single	Single	Single	Single	Single	Single
Type	Rotary	Rotary	Rotary	Scroll	Scroll	Scroll	Scroll
CONDENSER FAN MOTOR							
Motor Type	PSC	PSC	PSC	PSC	PSC	PSC	ECM
Horsepower (RPM)	1/8	1/8	1/6	1/6	1/6	1/6	1/3
FLA	0.70	0.70	0.95	0.95	0.95	0.95	2.6
REFRIGERATION SYSTEM							
Refrigerant Line Size ¹							
Liquid Line Size ("O.D.)	3/8"	3/8"	3/8"	3/8"	3/8"	3/8"	3/8"
Suction Line Size ("O.D.)	3/4"	3/4"	3/4"	7/8"	1 1/8"	1 1/8"	1 1/8"
Refrigerant Connection Size							
Liquid Valve Size ("O.D.)	3/8"	3/8"	3/8"	3/8"	3/8"	3/8"	3/8"
Suction Valve Size ("O.D.) ²	3/4"	3/4"	3/4"	7/8"	7/8"	7/8"	7/8"
Valve Connection Type	Sweat	Sweat	Sweat	Sweat	Sweat	Sweat	Sweat
Refrigerant Charge ³	53	53	63	69	83	91	94
ELECTRICAL DATA							
Voltage-Phase	208/230-1	208/230-1	208/230-1	208/230-1	208/230-1	208/230-1	208/230-1
Minimum Circuit Ampacity ⁴	10.9	10.9	15.0	17.8	19.0	25.2	32.4
Max. Overcurrent Protection ⁵	15.0	15.0	25.0	30.0	30.0	40.0	50.0
Min / Max Volts	197/253	197/253	197/253	197/253	197/253	197/253	197/253
Electrical Conduit Size	1/2" or 3/4"	1/2" or 3/4"	1/2" or 3/4"	1/2" or 3/4"	1/2" or 3/4"	1/2" or 3/4"	1/2" or 3/4"
EQUIPMENT WEIGHT (LBS)							
	117	117	155	158	210	211	224
SHIP WEIGHT (LBS)							
	132	132	170	173	225	226	239

¹ Line sizes denoted for 25' line sets, tested and rated in accordance with AHRI Standard 210/240. For other line set lengths or sizes, refer to the Installation Instructions and/or the Long Line Set Applications guide.

² Any suction line adapter will need to be supplied by the field.

³ Unit is factory charged with refrigerant for 15' of 3/8" liquid line. System charge must be adjusted per the Final Charge Adjustment procedure found in the Installation Instructions.

⁴ Wire size should be determined in accordance with National Electrical Codes; extensive wire runs will require larger wire sizes

⁵ Must use time-delay fuses or HACR-type circuit breakers of the same size as noted.

NOTES

- Always check the S&R plate for electrical data on the unit being installed.

EXPANDED COOLING DATA — GLXS4BA1810A*+ CAPTA2422A*

IDB		OUTDOOR AMBIENT TEMPERATURE																																			
		65						75						85						95						105						115					
		AIRFLOW		59	63	67	71	59		63	67	71	59		63	67	71	59		63	67	71	59		63	67	71	59		63	67	71					
70	MBh	17.8	18.1	18.6	-	17.7	17.9	18.5	-	17.2	17.5	18.0	-	16.4	16.7	17.2	-	15.4	15.7	16.2	-	14.5	14.8	15.3	-	15.4	15.7	16.2	-	14.5	14.8	15.3	-				
	S/T	0.53	0.46	0.34	-	0.54	0.47	0.34	-	0.56	0.49	0.37	-	0.58	0.51	0.38	-	0.60	0.53	0.40	-	0.64	0.57	0.45	-	0.60	0.53	0.40	-	0.64	0.57	0.45	-				
	ΔT	23	21	17	-	23	21	17	-	24	22	18	-	23	21	17	-	23	21	17	-	24	22	18	-	23	21	17	-	24	22	18	-				
	kW	1.12	1.12	1.12	-	1.24	1.24	1.23	-	1.37	1.37	1.37	-	1.51	1.51	1.51	-	1.67	1.67	1.67	-	1.85	1.85	1.85	-	1.67	1.67	1.67	-	1.85	1.85	1.85	-				
	Amps	3.9	3.9	3.9	-	4.4	4.4	4.4	-	5.0	5.0	5.0	-	5.7	5.7	5.7	-	6.4	6.4	6.4	-	7.2	7.2	7.2	-	6.4	6.4	6.4	-	7.2	7.2	7.2	-				
625	MBh	18.1	18.4	18.9	-	18.0	18.2	18.8	-	17.5	17.8	18.3	-	16.7	17.0	17.5	-	15.7	16.0	16.5	-	14.8	15.1	15.6	-	15.7	16.0	16.5	-	14.8	15.1	15.6	-				
	S/T	0.61	0.54	0.41	-	0.61	0.54	0.42	-	0.63	0.56	0.44	-	0.65	0.58	0.46	-	0.67	0.60	0.48	-	0.72	0.65	0.53	-	0.67	0.60	0.48	-	0.72	0.65	0.53	-				
	ΔT	22	20	16	-	22	20	16	-	22	20	16	-	22	20	16	-	21	19	15	-	23	21	17	-	21	19	15	-	23	21	17	-				
	kW	1.13	1.13	1.13	-	1.25	1.24	1.24	-	1.38	1.38	1.37	-	1.52	1.52	1.51	-	1.68	1.68	1.67	-	1.86	1.86	1.86	-	1.68	1.68	1.67	-	1.86	1.86	1.86	-				
	Amps	3.9	3.9	3.9	-	4.5	4.5	4.4	-	5.1	5.1	5.0	-	5.7	5.7	5.7	-	6.4	6.4	6.4	-	7.3	7.3	7.3	-	6.4	6.4	6.4	-	7.3	7.3	7.3	-				
675	MBh	18.3	18.6	19.1	-	18.2	18.4	18.9	-	17.7	17.9	18.5	-	16.9	17.1	17.7	-	15.9	16.2	16.7	-	15.0	15.3	15.8	-	15.9	16.2	16.7	-	15.0	15.3	15.8	-				
	S/T	0.63	0.56	0.44	-	0.63	0.56	0.44	-	0.66	0.59	0.46	-	0.67	0.60	0.48	-	0.69	0.62	0.50	-	0.74	0.67	0.55	-	0.69	0.62	0.50	-	0.74	0.67	0.55	-				
	ΔT	21	19	15	-	21	19	15	-	21	19	15	-	21	19	15	-	21	19	15	-	22	20	16	-	21	19	15	-	22	20	16	-				
	kW	1.13	1.13	1.13	-	1.25	1.25	1.25	-	1.38	1.38	1.38	-	1.52	1.52	1.52	-	1.68	1.68	1.68	-	1.86	1.86	1.86	-	1.68	1.68	1.68	-	1.86	1.86	1.86	-				
	Amps	3.9	3.9	3.9	-	4.5	4.5	4.5	-	5.1	5.1	5.1	-	5.7	5.7	5.7	-	6.4	6.4	6.4	-	7.3	7.3	7.3	-	6.4	6.4	6.4	-	7.3	7.3	7.3	-				

IDB		OUTDOOR AMBIENT TEMPERATURE																																			
		65						75						85						95						105						115					
		AIRFLOW		59	63	67	71	59		63	67	71	59		63	67	71	59		63	67	71	59		63	67	71	59		63	67	71					
75	MBh	17.9	18.1	18.6	19.5	17.7	18.0	18.5	19.3	17.2	17.5	18.0	18.8	16.4	16.7	17.2	18.0	15.4	15.7	16.2	17.0	14.5	14.8	15.3	16.1	15.4	15.7	16.2	17.0	14.5	14.8	15.3	16.1				
	S/T	0.65	0.58	0.46	0.3	0.65	0.58	0.46	0.3	0.68	0.61	0.48	0.4	0.69	0.62	0.50	0.4	0.71	0.64	0.52	0.4	1.00	0.69	0.57	0.4	0.71	0.64	0.52	0.4	1.00	0.77	0.64	0.5				
	ΔT	28	26	22	18	28	26	22	18	28	26	22	18	28	26	22	18	28	26	22	18	29	27	23	19	28	26	22	18	29	27	23	19				
	kW	1.12	1.12	1.12	1.1	1.24	1.24	1.23	1.2	1.37	1.37	1.36	1.4	1.51	1.51	1.51	1.5	1.67	1.67	1.66	1.7	1.85	1.85	1.85	1.9	1.67	1.67	1.66	1.7	1.85	1.85	1.85	1.9				
	Amps	3.9	3.9	3.9	3.9	4.4	4.4	4.4	4.4	5.0	5.0	5.0	5.0	5.7	5.7	5.7	5.7	6.4	6.4	6.4	6.4	7.2	7.2	7.2	7.3	6.4	6.4	6.4	6.4	7.2	7.2	7.2	7.3				
625	MBh	18.2	18.4	18.9	19.8	18.0	18.2	18.8	19.6	17.5	17.8	18.3	19.1	16.7	17.0	17.5	18.3	15.7	16.0	16.5	17.3	14.8	15.1	15.6	16.4	15.7	16.0	16.5	17.3	14.8	15.1	15.6	16.4				
	S/T	0.72	0.65	0.53	0.4	0.73	0.66	0.54	0.4	0.75	0.68	0.56	0.4	0.77	0.70	0.58	0.4	1.00	0.72	0.60	0.5	1.00	0.77	0.64	0.5	1.00	0.72	0.60	0.5	1.00	0.77	0.64	0.5				
	ΔT	26	24	20	16	26	24	20	16	27	25	21	16	26	24	20	16	26	24	20	16	27	25	21	17	26	24	20	16	27	25	21	17				
	kW	1.13	1.13	1.12	1.13	1.24	1.24	1.24	1.25	1.38	1.37	1.37	1.38	1.52	1.52	1.51	1.52	1.68	1.67	1.67	1.68	1.86	1.86	1.86	1.87	1.68	1.67	1.67	1.68	1.86	1.86	1.86	1.87				
	Amps	3.9	3.9	3.9	3.9	4.5	4.5	4.4	4.5	5.1	5.1	5.0	5.1	5.7	5.7	5.7	5.7	6.4	6.4	6.4	6.5	7.3	7.3	7.3	7.3	6.4	6.4	6.4	6.5	7.3	7.3	7.3	7.3				
675	MBh	18.3	18.6	19.1	19.9	18.2	18.4	19.0	19.8	17.7	18.0	18.5	19.3	16.9	17.1	17.7	18.5	15.9	16.2	16.7	17.5	15.0	15.3	15.8	16.6	15.9	16.2	16.7	17.5	15.0	15.3	15.8	16.6				
	S/T	0.74	0.68	0.55	0.4	0.75	0.68	0.56	0.4	0.77	0.70	0.58	0.5	0.79	0.72	0.60	0.5	1.00	0.74	0.62	0.5	1.00	0.79	0.67	0.5	1.00	0.74	0.62	0.5	1.00	0.79	0.67	0.5				
	ΔT	26	24	20	16	26	24	20	15	26	24	20	16	26	24	20	15	25	23	19	15	27	25	21	16	25	23	19	15	27	25	21	16				
	kW	1.13	1.13	1.13	1.1	1.25	1.25	1.25	1.3	1.38	1.38	1.38	1.4	1.52	1.52	1.52	1.5	1.68	1.68	1.68	1.7	1.86	1.86	1.86	1.9	1.68	1.68	1.68	1.7	1.86	1.86	1.86	1.9				
	Amps	3.9	3.9	3.9	4.0	4.5	4.5	4.5	4.5	5.1	5.1	5.1	5.1	5.7	5.7	5.7	5.7	6.4	6.4	6.4	6.5	7.3	7.3	7.3	7.3	6.4	6.4	6.4	6.5	7.3	7.3	7.3	7.3				

IDB: Entering Indoor Dry Bulb Temperature
 High and low pressures are measured at the liquid and suction service valves.
 Shaded area reflects ACCA (TVA) conditions
 kW = Total system power
 Amps = outdoor unit amps (comp.+fan)

EXPANDED COOLING DATA — GLXS4BA1810A*+ CAPTA2422A* (CONT.)

IDB		OUTDOOR AMBIENT TEMPERATURE																																			
		65						75						85						95						105						115					
		AIRFLOW		59	63	67	71	59		63	67	71	59		63	67	71	59		63	67	71	59		63	67	71	59		63	67	71					
80	MBh	18.0	18.2	18.7	19.6	17.8	18.0	18.6	19.4	17.3	17.6	18.1	18.9	16.5	16.8	17.3	18.1	15.5	15.8	16.3	17.1	14.6	14.9	15.4	16.2	15.5	15.8	16.3	17.1	14.6	14.9	15.4	16.2				
	S/T	0.76	0.69	0.57	0.4	0.77	0.70	0.58	0.4	0.79	0.72	0.60	0.5	1.00	0.74	0.62	0.5	1.00	0.76	0.64	0.5	1.00	0.81	0.68	0.6	1.00	0.76	0.64	0.5	1.00	0.81	0.68	0.6				
	ΔT	33	31	27	23	33	31	27	23	33	31	27	23	33	31	27	23	33	30	26	22	34	32	28	24	33	30	26	22	34	32	28	24				
	kW	1.12	1.12	1.12	1.1	1.24	1.24	1.23	1.2	1.37	1.37	1.37	1.4	1.51	1.51	1.51	1.5	1.67	1.67	1.66	1.7	1.85	1.85	1.85	1.9	1.67	1.67	1.66	1.7	1.85	1.85	1.85	1.9				
	Amps	3.9	3.9	3.9	3.9	4.4	4.4	4.4	4.4	5.0	5.0	5.0	5.0	5.7	5.7	5.7	5.7	6.4	6.4	6.4	6.4	7.2	7.2	7.2	7.3	6.4	6.4	6.4	6.4	7.2	7.2	7.2	7.3				
625	MBh	18.2	18.5	19.0	19.8	18.1	18.3	18.9	19.7	17.6	17.9	18.4	19.2	16.8	17.1	17.6	18.4	15.8	16.1	16.6	17.4	14.9	15.2	15.7	16.5	15.8	16.1	16.6	17.4	14.9	15.2	15.7	16.5				
	S/T	0.84	0.77	0.64	0.5	0.84	0.77	0.65	0.5	1.00	0.80	0.67	0.5	1.00	0.81	0.69	0.6	1.00	0.83	0.71	0.6	1.00	0.88	0.76	0.6	1.00	0.83	0.71	0.6	1.00	0.88	0.76	0.6				
	ΔT	31	29	25	21	31	29	25	21	31	29	25	21	31	29	25	21	31	29	25	21	32	30	26	22	31	29	25	21	32	30	26	22				
	kW	1.13	1.13	1.13	1.13	1.25	1.24	1.24	1.25	1.38	1.38	1.37	1.38	1.52	1.52	1.51	1.52	1.68	1.67	1.67	1.68	1.86	1.86	1.86	1.87	1.68	1.67	1.67	1.68	1.86	1.86	1.86	1.87				
	Amps	3.9	3.9	3.9	4.0	4.5	4.5	4.4	4.5	5.1	5.1	5.0	5.1	5.7	5.7	5.7	5.7	6.4	6.4	6.4	6.5	7.3	7.3	7.3	7.3	6.4	6.4	6.4	6.5	7.3	7.3	7.3	7.3				
675	MBh	18.4	18.7	19.2	20.0	18.3	18.5	19.0	19.9	17.8	18.0	18.6	19.4	17.0	17.2	17.8	18.6	16.0	16.3	16.8	17.6	15.1	15.4	15.9	16.7	16.0	16.3	16.8	17.6	15.1	15.4	15.9	16.7				
	S/T	0.86	0.79	0.67	0.5	0.86	0.80	0.67	0.5	1.00	0.82	0.69	0.6	1.00	0.84	0.71	0.6	1.00	0.86	0.73	0.6	1.00	0.90	0.78	0.6	1.00	0.86	0.73	0.6	1.00	0.90	0.78	0.6				
	ΔT	30	28	24	20	30	28	24	20	31	29	25	20	30	28	24	20	30	28	24	20	31	29	25	21	30	28	24	20	31	29	25	21				
	kW	1.13	1.13	1.13	1.1	1.25	1.25	1.25	1.3	1.38	1.38	1.38	1.4	1.52	1.52	1.52	1.5	1.68	1.68	1.68	1.7	1.86	1.86	1.86	1.9	1.68	1.68	1.68	1.7	1.86	1.86	1.86	1.9				
	Amps	3.9	3.9	3.9	4.0	4.5	4.5	4.5	4.5	5.1	5.1	5.1	5.1	5.7	5.7	5.7	5.7	6.4	6.4	6.4	6.5	7.3	7.3	7.3	7.3	6.4	6.4	6.4	6.5	7.3	7.3	7.3	7.3				

525	MBh	18.3	18.5	19.0	19.9	18.1	18.3	18.9	19.7	17.6	17.9	18.4	19.2	16.8	17.1	17.6	18.4	15.8	16.1	16.6	17.4	14.9	15.2	15.7	16.5	15.8	16.1	16.6	17.4	14.9	15.2	15.7	16.5
	S/T	1.00	0.78	0.66	0.5	1.00	0.79	0.67	0.5	1.00	0.81	0.69	0.6	1.00	0.83	0.71	0.6	1.00	0.85	0.73	0.6	1.00	1.00	0.77	0.6	1.00	0.85	0.73	0.6	1.00	1.00	0.77	0.6
	ΔT	37	35	31	27	37	35	31	27	37	35	31	27	37	35	31	27	37	35	31	26	38	36	32	28	37	35	31	26	38	36	32	28
	kW	1.12	1.12	1.12	1.1	1.24	1.24	1.24	1.2	1.37	1.37	1.37	1.4	1.51	1.51	1.51	1.5	1.67	1.67	1.67	1.7	1.86	1.85	1.85	1.9	1.67	1.67	1.67	1.7	1.86	1.85	1.85	1.9
	Amps	3.9	3.9	3.9	3.9	4.4	4.4	4.4	4.5	5.0	5.0	5.0	5.1	5.7	5.7	5.7	5.7	6.4	6.4	6.4	6.4	7.3	7.2	7.2	7.3	6.4	6.4	6.4	6.4	7.3	7.2	7.2	7.3
625	MBh	18.5	18.8	19.3	20.2	18.4	18.6	19.2	20.0	17.9	18.2	18.7	19.5	17.1	17.4	17.9	18.7	16.1	16.4	16.9	17.7	15.2	15.5	16.0	16.8	16.1	16.4	16.9	17.7	15.2	15.5	16.0	16.8
	S/T	1.00	0.86	0.74	0.6	1.00	0.87	0.74	0.6	1.00	0.89	0.76	0.6	1.00	0.91	0.78	0.7	1.00	1.00	0.80	0.7	1.00	1.00	0.85	0.7	1.00	1.00	0.80	0.7	1.00	1.00	0.85	0.7
	ΔT	35	33	29	25	35	33	29	25	36	34	30	25	35	33	29	25	35	33	29	25	36	34	30	26	35	33	29	25	36	34	30	26
	kW	1.13	1.13	1.13	1.14	1.25	1.25	1.24	1.25	1.38	1.38	1.38	1.38	1.52	1.52	1.52	1.53	1.68	1.68	1.68	1.68	1.86	1.86	1.86	1.87	1.68	1.68	1.68	1.68	1.86	1.86	1.86	1.87
	Amps	3.9	3.9	3.9	4.0	4.5	4.5	4.5	4.5	5.1	5.1	5.1	5.1	5.7	5.7	5.7	5.7	6.4	6.4	6.4	6.5	7.3	7.3	7.3	7.3	6.4	6.4	6.4	6.5	7.3	7.3	7.3	7.3
675	MBh	18.7	19.0	19.5	20.3	18.6	18.8	19.3	20.2	18.1	18.3	18.9	19.7	17.3	17.5	18.1	18.9	16.3	16.6	17.1	17.9	15.4	15.7	16.2	17.0	16.3	16.6	17.1	17.9	15.4	15.7	16.2	17.0
	S/T	1.00	0.88	0.76	0.6	1.00	0.89	0.76	0.6	1.00	0.91	0.79	0.7	1.00	0.93	0.80	0.7	1.00	1.00	0.82	0.7	1.00	1.00	0.87	0.7	1.00	1.00	0.82	0.7	1.00	1.00	0.87	0.7
	ΔT	35	33	29	24	35	32	29	24	35	33	29	25	35	32	28	24	34	32	28	24	36	34	30	25	34	32	28	24	36	34	30	25
	kW	1.13	1.13	1.13	1.1	1.25	1.25	1.25	1.3	1.38	1.38	1.38	1.4	1.52	1.52	1.52	1.5	1.68	1.68	1.68	1.7	1.87	1.87	1.86	1.9	1.68	1.68	1.68	1.7	1.87	1.87	1.86	1.9
	Amps	3.9	3.9	3.9	4.0	4.5	4.5	4.5	4.5	5.1	5.1	5.1	5.1	5.7	5.7	5.7	5.7	6.5	6.5	6.5	6.5	7.3	7.3	7.3	7.3	6.5	6.5	6.5	6.5	7.3	7.3	7.3	7.3

IDB: Entering Indoor Dry Bulb Temperature
 High and low pressures are measured at the liquid and suction service valves.
 Shaded area reflects AHRI conditions
 kW = Total system power
 Amps = outdoor unit amps (comp.+fan)

EXPANDED COOLING DATA — GLXS4BA2410A*+ CAPTA2422A*

IDB		OUTDOOR AMBIENT TEMPERATURE																																			
		65						75						85						95						105						115					
		AIRFLOW				ENTERING INDOOR WET BULB TEMPERATURE				ENTERING INDOOR WET BULB TEMPERATURE				ENTERING INDOOR WET BULB TEMPERATURE				ENTERING INDOOR WET BULB TEMPERATURE				ENTERING INDOOR WET BULB TEMPERATURE				ENTERING INDOOR WET BULB TEMPERATURE				ENTERING INDOOR WET BULB TEMPERATURE							
	59	63	67	71	59	63	67	71	59	63	67	71	59	63	67	71	59	63	67	71	59	63	67	71	59	63	67	71									
700	MBh	24.3	24.7	25.4	-	24.1	24.4	25.2	-	23.5	23.8	24.5	-	22.4	22.7	23.5	-	21.1	21.4	22.1	-	21.1	21.4	22.1	-	19.9	20.2	20.9	-								
	S/T	0.63	0.56	0.43	-	0.64	0.57	0.44	-	0.66	0.59	0.46	-	0.68	0.61	0.48	-	0.70	0.63	0.50	-	0.70	0.63	0.50	-	0.75	0.68	0.55	-								
	ΔT	21	19	15	-	21	19	15	-	21	19	15	-	21	19	15	-	20	18	15	-	20	18	15	-	22	20	16	-								
	kW	1.48	1.48	1.47	-	1.65	1.64	1.64	-	1.83	1.83	1.83	-	2.04	2.04	2.03	-	2.26	2.26	2.26	-	2.26	2.26	2.26	-	2.53	2.53	2.53	-								
	Amps	5.3	5.3	5.3	-	6.1	6.1	6.1	-	7.0	7.0	7.0	-	7.9	7.9	7.9	-	8.9	8.9	8.9	-	8.9	8.9	8.9	-	10.2	10.2	10.1	-								
800	MBh	24.8	25.1	25.8	-	24.5	24.9	25.6	-	23.9	24.3	25.0	-	22.8	23.2	23.9	-	21.5	21.9	22.6	-	21.5	21.9	22.6	-	20.3	20.7	21.4	-								
	S/T	0.67	0.59	0.47	-	0.67	0.60	0.47	-	0.70	0.62	0.50	-	0.71	0.64	0.51	-	0.74	0.66	0.53	-	0.74	0.66	0.53	-	1.00	0.71	0.58	-								
	ΔT	20	18	14	-	20	17	14	-	20	18	14	-	20	17	14	-	19	17	13	-	19	17	13	-	21	18	15	-								
	kW	1.49	1.48	1.48	-	1.65	1.65	1.65	-	1.84	1.84	1.84	-	2.04	2.04	2.04	-	2.27	2.27	2.27	-	2.27	2.27	2.27	-	2.54	2.54	2.53	-								
	Amps	5.4	5.4	5.4	-	6.2	6.2	6.1	-	7.0	7.0	7.0	-	7.9	7.9	7.9	-	9.0	9.0	9.0	-	9.0	9.0	9.0	-	10.2	10.2	10.2	-								
900	MBh	25.3	25.6	26.4	-	25.1	25.4	26.1	-	24.5	24.8	25.5	-	23.4	23.7	24.4	-	22.1	22.4	23.1	-	22.1	22.4	23.1	-	20.9	21.2	21.9	-								
	S/T	0.67	0.60	0.47	-	0.68	0.61	0.48	-	0.70	0.63	0.50	-	0.72	0.65	0.52	-	0.74	0.67	0.54	-	0.74	0.67	0.54	-	1.00	0.72	0.59	-								
	ΔT	19	17	13	-	18	16	13	-	19	17	13	-	18	16	13	-	18	16	12	-	18	16	12	-	19	17	14	-								
	kW	1.49	1.49	1.49	-	1.66	1.66	1.66	-	1.85	1.85	1.84	-	2.05	2.05	2.05	-	2.28	2.28	2.27	-	2.28	2.28	2.27	-	2.55	2.54	2.54	-								
	Amps	5.4	5.4	5.4	-	6.2	6.2	6.2	-	7.0	7.0	7.0	-	8.0	8.0	8.0	-	9.0	9.0	9.0	-	9.0	9.0	9.0	-	10.2	10.2	10.2	-								

IDB		OUTDOOR AMBIENT TEMPERATURE																																			
		65						75						85						95						105						115					
		AIRFLOW				ENTERING INDOOR WET BULB TEMPERATURE				ENTERING INDOOR WET BULB TEMPERATURE				ENTERING INDOOR WET BULB TEMPERATURE				ENTERING INDOOR WET BULB TEMPERATURE				ENTERING INDOOR WET BULB TEMPERATURE				ENTERING INDOOR WET BULB TEMPERATURE				ENTERING INDOOR WET BULB TEMPERATURE							
	59	63	67	71	59	63	67	71	59	63	67	71	59	63	67	71	59	63	67	71	59	63	67	71	59	63	67	71									
700	MBh	24.3	24.7	25.4	26.5	24.1	24.5	25.2	26.3	23.5	23.8	24.6	25.6	22.4	22.8	23.5	24.6	21.1	21.4	22.2	23.3	21.1	21.4	22.2	23.3	19.9	20.2	21.0	22.0								
	S/T	0.75	0.68	0.55	0.4	0.76	0.69	0.56	0.4	0.78	0.71	0.58	0.4	0.80	0.73	0.60	0.5	1.00	0.75	0.62	0.5	1.00	0.75	0.62	0.5	1.00	0.80	0.67	0.5								
	ΔT	25	23	19	15	25	23	19	15	25	23	20	16	25	23	19	15	25	23	19	15	25	23	19	15	26	24	20	16								
	kW	1.48	1.48	1.47	1.5	1.64	1.64	1.64	1.7	1.83	1.83	1.83	1.8	2.04	2.03	2.03	2.0	2.26	2.26	2.26	2.3	2.26	2.26	2.26	2.3	2.53	2.53	2.52	2.5								
	Amps	5.3	5.3	5.3	5.4	6.1	6.1	6.1	6.2	7.0	7.0	7.0	7.0	7.9	7.9	7.9	7.9	8.9	8.9	8.9	9.0	8.9	8.9	8.9	9.0	10.2	10.2	10.1	10.2								
800	MBh	24.8	25.1	25.8	26.9	24.6	24.9	25.6	26.7	23.9	24.3	25.0	26.1	22.9	23.2	23.9	25.0	21.5	21.9	22.6	23.7	21.5	21.9	22.6	23.7	20.3	20.7	21.4	22.5								
	S/T	0.79	0.72	0.59	0.5	0.79	0.72	0.59	0.5	0.82	0.75	0.62	0.5	1.00	0.76	0.64	0.5	1.00	0.79	0.66	0.5	1.00	0.79	0.66	0.5	1.00	0.83	0.71	0.6								
	ΔT	24	22	18	14	24	22	18	14	24	22	18	15	24	22	18	14	24	22	18	14	24	22	18	14	25	23	19	15								
	kW	1.48	1.48	1.48	1.49	1.65	1.65	1.65	1.66	1.84	1.84	1.84	1.85	2.04	2.04	2.04	2.05	2.27	2.27	2.27	2.28	2.27	2.27	2.27	2.28	2.54	2.54	2.53	2.55								
	Amps	5.4	5.4	5.4	5.4	6.2	6.1	6.1	6.2	7.0	7.0	7.0	7.0	7.9	7.9	7.9	8.0	9.0	9.0	9.0	9.0	9.0	9.0	9.0	9.0	10.2	10.2	10.2	10.2								
900	MBh	25.3	25.7	26.4	27.5	25.1	25.4	26.2	27.3	24.5	24.8	25.5	26.6	23.4	23.7	24.5	25.6	22.1	22.4	23.1	24.2	22.1	22.4	23.1	24.2	20.9	21.2	21.9	23.0								
	S/T	0.80	0.72	0.60	0.5	0.80	0.73	0.60	0.5	0.83	0.75	0.63	0.5	1.00	0.77	0.64	0.5	1.00	0.79	0.66	0.5	1.00	0.79	0.66	0.5	1.00	0.84	0.71	0.6								
	ΔT	23	21	17	13	23	21	17	13	23	21	17	13	23	21	17	13	23	21	17	13	23	21	17	13	24	22	18	14								
	kW	1.49	1.49	1.49	1.5	1.66	1.66	1.66	1.7	1.85	1.85	1.84	1.9	2.05	2.05	2.05	2.1	2.28	2.28	2.27	2.3	2.28	2.28	2.27	2.3	2.54	2.54	2.54	2.6								
	Amps	5.4	5.4	5.4	5.5	6.2	6.2	6.2	6.2	7.0	7.0	7.0	7.1	8.0	8.0	8.0	8.0	9.0	9.0	9.0	9.1	9.0	9.0	9.0	9.0	10.2	10.2	10.2	10.3								

IDB: Entering Indoor Dry Bulb Temperature
 High and low pressures are measured at the liquid and suction service valves.
 Shaded area reflects ACCA (TVA) conditions
 kW = Total system power
 Amps = outdoor unit amps (comp.+fan)

EXPANDED COOLING DATA — GLXS4BA2410A*+ CAPTA2422A* (CONT.)

IDB	AIRFLOW	OUTDOOR AMBIENT TEMPERATURE																							
		65				75				85				95				105				115			
		59	63	67	71	59	63	67	71	59	63	67	71	59	63	67	71	59	63	67	71	59	63	67	71
700	MBh	24.5	24.8	25.5	26.6	24.2	24.6	25.3	26.4	23.6	24.0	24.7	25.8	22.5	22.9	23.6	24.7	21.2	21.6	22.3	23.4	20.0	20.4	21.1	22.2
	S/T	0.87	0.80	0.67	0.5	0.88	0.81	0.68	0.5	1.00	0.83	0.70	0.6	1.00	0.85	0.72	0.6	1.00	0.87	0.74	0.6	1.00	0.92	0.79	0.7
	ΔT	30	28	24	20	30	28	24	20	30	28	24	20	30	28	24	20	29	27	24	20	31	29	25	21
	kW	1.48	1.48	1.47	1.5	1.65	1.64	1.64	1.7	1.83	1.83	1.83	1.8	2.04	2.04	2.03	2.0	2.26	2.26	2.26	2.3	2.53	2.53	2.53	2.5
	Amps	5.3	5.3	5.3	5.4	6.1	6.1	6.1	6.2	7.0	7.0	7.0	7.0	7.9	7.9	7.9	7.9	8.9	8.9	8.9	9.0	10.2	10.2	10.2	10.2
800	MBh	24.9	25.2	26.0	27.1	24.7	25.0	25.7	26.8	24.1	24.4	25.1	26.2	23.0	23.3	24.0	25.1	21.7	22.0	22.7	23.8	20.5	20.8	21.5	22.6
	S/T	0.91	0.84	0.71	0.6	1.00	0.84	0.71	0.6	1.00	0.87	0.74	0.6	1.00	0.88	0.76	0.6	1.00	0.90	0.78	0.6	1.00	1.00	0.82	0.7
	ΔT	29	27	23	19	28	26	23	19	29	27	23	19	28	26	23	19	28	26	22	18	29	27	24	20
	kW	1.49	1.48	1.48	1.49	1.65	1.65	1.65	1.66	1.84	1.84	1.84	1.85	2.04	2.04	2.04	2.05	2.27	2.27	2.27	2.28	2.54	2.54	2.53	2.55
	Amps	5.4	5.4	5.4	5.4	6.2	6.1	6.1	6.2	7.0	7.0	7.0	7.1	7.9	7.9	7.9	8.0	9.0	9.0	9.0	9.0	10.2	10.2	10.2	10.2
900	MBh	25.4	25.8	26.5	27.6	25.2	25.6	26.3	27.4	24.6	24.9	25.7	26.8	23.5	23.9	24.6	25.7	22.2	22.5	23.3	24.4	21.0	21.3	22.1	23.2
	S/T	0.92	0.84	0.71	0.6	1.00	0.85	0.72	0.6	1.00	0.87	0.74	0.6	1.00	0.89	0.76	0.6	1.00	0.91	0.78	0.6	1.00	1.00	0.83	0.7
	ΔT	28	25	22	18	27	25	22	18	28	26	22	18	27	25	22	18	27	25	21	17	28	26	23	19
	kW	1.49	1.49	1.49	1.5	1.66	1.66	1.66	1.7	1.85	1.85	1.84	1.9	2.05	2.05	2.05	2.1	2.28	2.28	2.27	2.3	2.55	2.54	2.54	2.6
	Amps	5.4	5.4	5.4	5.5	6.2	6.2	6.2	6.2	7.0	7.0	7.0	7.1	8.0	8.0	8.0	8.0	9.0	9.0	9.0	9.1	10.2	10.2	10.2	10.3

IDB	AIRFLOW	OUTDOOR AMBIENT TEMPERATURE																							
		65				75				85				95				105				115			
		59	63	67	71	59	63	67	71	59	63	67	71	59	63	67	71	59	63	67	71	59	63	67	71
700	MBh	24.9	25.2	25.9	27.0	24.7	25.0	25.7	26.8	24.0	24.4	25.1	26.2	22.9	23.3	24.0	25.1	21.6	22.0	22.7	23.8	20.4	20.8	21.5	22.6
	S/T	1.00	0.90	0.77	0.6	1.00	0.90	0.77	0.6	1.00	0.93	0.80	0.7	1.00	0.94	0.82	0.7	1.00	1.00	0.84	0.7	1.00	1.00	0.89	0.8
	ΔT	34	32	28	24	34	32	28	24	34	32	28	24	34	32	28	24	33	31	28	24	35	33	29	25
	kW	1.48	1.48	1.48	1.5	1.65	1.65	1.64	1.7	1.84	1.84	1.83	1.8	2.04	2.04	2.04	2.0	2.27	2.27	2.26	2.3	2.53	2.53	2.53	2.5
	Amps	5.4	5.4	5.3	5.4	6.1	6.1	6.1	6.2	7.0	7.0	7.0	7.0	7.9	7.9	7.9	8.0	9.0	9.0	8.9	9.0	10.2	10.2	10.2	10.2
800	MBh	25.3	25.6	26.4	27.5	25.1	25.4	26.1	27.2	24.5	24.8	25.5	26.6	23.4	23.7	24.4	25.5	22.1	22.4	23.1	24.2	20.9	21.2	21.9	23.0
	S/T	1.00	0.93	0.80	0.7	1.00	0.94	0.81	0.7	1.00	0.96	0.83	0.7	1.00	1.00	0.85	0.7	1.00	1.00	0.87	0.7	1.00	1.00	0.92	0.8
	ΔT	33	31	27	23	32	30	27	23	33	31	27	23	32	30	27	23	32	30	26	22	33	31	28	24
	kW	1.49	1.49	1.48	1.50	1.66	1.66	1.65	1.67	1.84	1.84	1.84	1.85	2.05	2.05	2.04	2.06	2.27	2.27	2.27	2.28	2.54	2.54	2.54	2.55
	Amps	5.4	5.4	5.4	5.4	6.2	6.2	6.2	6.2	7.0	7.0	7.0	7.1	8.0	8.0	7.9	8.0	9.0	9.0	9.0	9.0	10.2	10.2	10.2	10.3
900	MBh	25.8	26.2	26.9	28.0	25.6	26.0	26.7	27.8	25.0	25.3	26.1	27.2	23.9	24.3	25.0	26.1	22.6	22.9	23.7	24.8	21.4	21.7	22.5	23.6
	S/T	1.00	0.94	0.81	0.7	1.00	0.94	0.82	0.7	1.00	0.97	0.84	0.7	1.00	1.00	0.86	0.7	1.00	1.00	0.88	0.7	1.00	1.00	0.93	0.8
	ΔT	32	29	26	22	31	29	26	22	32	30	26	22	31	29	26	22	31	29	25	21	32	30	27	23
	kW	1.50	1.49	1.49	1.5	1.66	1.66	1.66	1.7	1.85	1.85	1.85	1.9	2.06	2.05	2.05	2.1	2.28	2.28	2.28	2.3	2.55	2.55	2.54	2.6
	Amps	5.4	5.4	5.4	5.5	6.2	6.2	6.2	6.2	7.1	7.1	7.0	7.1	8.0	8.0	8.0	8.0	9.0	9.0	9.0	9.1	10.2	10.2	10.2	10.3

IDB: Entering Indoor Dry Bulb Temperature
 High and low pressures are measured at the liquid and suction service valves.
 Shaded area reflects AHRI conditions
 kW = Total system power
 Amps = outdoor unit amps (comp.+fan)

EXPANDED COOLING DATA — GLXS4BA3010A*+ CAPTA3026A*

IDB		OUTDOOR AMBIENT TEMPERATURE																																																											
		75												85												95												105												115											
		65				75				85				95				105				115				125				135				145				155																							
AIRFLOW		59	63	67	71	59	63	67	71	59	63	67	71	59	63	67	71	59	63	67	71	59	63	67	71	59	63	67	71	59	63	67	71	59	63	67	71																								
70	MBh	29.2	29.6	30.5	-	29.0	29.4	30.2	-	28.2	28.6	29.5	-	26.9	27.3	28.2	-	25.3	25.7	26.6	-	23.8	24.3	25.1	-	23.8	24.3	25.1	-	23.8	24.3	25.1	-	23.8	24.3	25.1	-	23.8	24.3	25.1	-																				
	S/T	0.62	0.54	0.41	-	0.62	0.55	0.42	-	0.65	0.57	0.44	-	0.67	0.59	0.46	-	0.69	0.61	0.48	-	0.74	0.66	0.53	-	0.74	0.66	0.53	-	0.74	0.66	0.53	-	0.74	0.66	0.53	-	0.74	0.66	0.53	-																				
	ΔT	21	19	15	-	21	19	15	-	21	19	15	-	21	19	15	-	20	18	15	-	22	20	16	-	22	20	16	-	22	20	16	-	22	20	16	-	22	20	16	-																				
	kW	1.80	1.80	1.80	-	2.00	2.00	1.99	-	2.22	2.22	2.22	-	2.46	2.46	2.46	-	2.73	2.73	2.72	-	3.04	3.04	3.04	-	3.04	3.04	3.04	-	3.04	3.04	3.04	-	3.04	3.04	3.04	-	3.04	3.04	3.04	-																				
	Amps	6.3	6.3	6.3	-	7.2	7.2	7.2	-	8.2	8.2	8.2	-	9.3	9.3	9.3	-	10.6	10.6	10.6	-	12.0	12.0	12.0	-	12.0	12.0	12.0	-	12.0	12.0	12.0	-	12.0	12.0	12.0	-	12.0	12.0	12.0	-																				
950	MBh	29.5	29.9	30.8	-	29.2	29.6	30.5	-	28.5	28.9	29.7	-	27.2	27.6	28.4	-	25.6	26.0	26.8	-	24.1	24.5	25.4	-	24.1	24.5	25.4	-	24.1	24.5	25.4	-	24.1	24.5	25.4	-	24.1	24.5	25.4	-																				
	S/T	0.65	0.58	0.44	-	0.66	0.58	0.45	-	0.68	0.61	0.47	-	0.70	0.63	0.49	-	0.72	0.65	0.52	-	0.77	0.70	0.57	-	0.77	0.70	0.57	-	0.77	0.70	0.57	-	0.77	0.70	0.57	-																								
	ΔT	20	18	14	-	20	18	14	-	20	18	15	-	20	18	14	-	20	18	14	-	21	19	15	-	21	19	15	-	21	19	15	-	21	19	15	-																								
	kW	1.81	1.81	1.80	-	2.01	2.00	2.00	-	2.23	2.23	2.22	-	2.47	2.47	2.46	-	2.74	2.73	2.73	-	3.05	3.05	3.05	-	3.05	3.05	3.05	-	3.05	3.05	3.05	-	3.05	3.05	3.05	-																								
	Amps	6.4	6.3	6.3	-	7.3	7.3	7.2	-	8.3	8.3	8.3	-	9.4	9.4	9.4	-	10.6	10.6	10.6	-	12.0	12.0	12.0	-	12.0	12.0	12.0	-	12.0	12.0	12.0	-	12.0	12.0	12.0	-																								
1125	MBh	30.2	30.6	31.5	-	29.9	30.3	31.2	-	29.2	29.6	30.4	-	27.9	28.3	29.1	-	26.3	26.7	27.5	-	24.8	25.2	26.1	-	24.8	25.2	26.1	-	24.8	25.2	26.1	-	24.8	25.2	26.1	-																								
	S/T	0.69	0.62	0.48	-	0.70	0.62	0.49	-	0.72	0.65	0.52	-	0.74	0.67	0.53	-	0.76	0.69	0.56	-	1.00	0.74	0.61	-	1.00	0.74	0.61	-	1.00	0.74	0.61	-																												
	ΔT	19	17	13	-	19	17	13	-	19	17	13	-	19	17	13	-	18	16	13	-	20	18	14	-	20	18	14	-	20	18	14	-																												
	kW	1.82	1.82	1.81	-	2.02	2.02	2.01	-	2.24	2.24	2.23	-	2.48	2.48	2.47	-	2.75	2.75	2.74	-	3.06	3.06	3.06	-	3.06	3.06	3.06	-	3.06	3.06	3.06	-																												
	Amps	6.4	6.4	6.4	-	7.3	7.3	7.3	-	8.3	8.3	8.3	-	9.4	9.4	9.4	-	10.7	10.7	10.6	-	12.1	12.1	12.1	-	12.1	12.1	12.1	-	12.1	12.1	12.1	-																												

IDB		OUTDOOR AMBIENT TEMPERATURE																																																											
		75												85												95												105												115											
		65				75				85				95				105				115				125				135				145				155																							
AIRFLOW		59	63	67	71	59	63	67	71	59	63	67	71	59	63	67	71	59	63	67	71	59	63	67	71	59	63	67	71	59	63	67	71	59	63	67	71																								
75	MBh	29.2	29.7	30.5	31.9	29.0	29.4	30.3	31.6	28.2	28.6	29.5	30.8	26.9	27.3	28.2	29.5	25.3	25.7	26.6	27.9	23.9	24.3	25.1	26.5	23.9	24.3	25.1	26.5	23.9	24.3	25.1	26.5	23.9	24.3	25.1	26.5																								
	S/T	0.74	0.67	0.54	0.4	0.75	0.67	0.54	0.4	0.77	0.70	0.57	0.4	0.79	0.72	0.59	0.4	1.00	0.74	0.61	0.5	1.00	0.79	0.66	0.5	1.00	0.79	0.66	0.5	1.00	0.79	0.66	0.5	1.00	0.79	0.66	0.5																								
	ΔT	25	23	19	16	25	23	19	16	25	23	20	16	25	23	19	16	25	23	19	15	26	24	20	17	26	24	20	17	26	24	20	17	26	24	20	17																								
	kW	1.80	1.80	1.79	1.8	2.00	2.00	1.99	2.0	2.22	2.22	2.21	2.2	2.46	2.46	2.46	2.5	2.73	2.73	2.72	2.7	3.04	3.04	3.04	3.1	3.04	3.04	3.04	3.1	3.04	3.04	3.04	3.1	3.04	3.04	3.04	3.1																								
	Amps	6.3	6.3	6.3	6.4	7.2	7.2	7.2	7.3	8.2	8.2	8.2	8.3	9.3	9.3	9.3	9.4	10.6	10.6	10.5	10.6	12.0	12.0	12.0	12.1	12.0	12.0	12.0	12.1	12.0	12.0	12.0	12.1	12.0	12.0	12.0	12.1																								
950	MBh	29.5	29.9	30.8	32.1	29.2	29.6	30.5	31.8	28.5	28.9	29.8	31.1	27.2	27.6	28.4	29.8	25.6	26.0	26.9	28.2	24.1	24.5	25.4	26.7	24.1	24.5	25.4	26.7	24.1	24.5	25.4	26.7	24.1	24.5	25.4	26.7																								
	S/T	0.78	0.70	0.57	0.4	0.78	0.71	0.58	0.4	0.81	0.73	0.60	0.5	0.83	0.75	0.62	0.5	1.00	0.77	0.64	0.5	1.00	0.82	0.69	0.6	1.00	0.82	0.69	0.6	1.00	0.82	0.69	0.6	1.00	0.82	0.69	0.6																								
	ΔT	24	22	19	15	24	22	19	15	25	23	19	15	24	22	19	15	24	22	18	15	25	23	20	16	25	23	20	16	25	23	20	16	25	23	20	16																								
	kW	1.81	1.80	1.80	1.82	2.00	2.00	2.00	2.01	2.23	2.22	2.22	2.24	2.47	2.46	2.46	2.48	2.73	2.73	2.73	2.74	3.05	3.05	3.05	3.06	3.05	3.05	3.05	3.06	3.05	3.05	3.05	3.06	3.05	3.05	3.05	3.06																								
	Amps	6.3	6.3	6.3	6.4	7.3	7.2	7.2	7.3	8.3	8.3	8.2	8.3	9.4	9.3	9.3	9.4	10.6	10.6	10.6	10.6	12.0	12.0	12.0	12.1	12.0	12.0	12.0	12.1	12.0	12.0	12.0	12.1	12.0	12.0	12.0	12.1																								
1125	MBh	30.2	30.6	31.5	32.8	29.9	30.4	31.2	32.6	29.2	29.6	30.5	31.8	27.9	28.3	29.2	30.5	26.3	26.7	27.6	28.9	24.8	25.2	26.1	27.4	24.8	25.2	26.1	27.4	24.8	25.2	26.1	27.4	24.8	25.2	26.1	27.4																								
	S/T	0.82	0.74	0.61	0.5	0.82	0.75	0.62	0.5	0.85	0.77	0.64	0.5	1.00	0.79	0.66	0.5	1.00	0.81	0.68	0.5	1.00	0.87	0.73	0.6	1.00	0.87	0.73	0.6	1.00	0.87	0.73	0.6	1.00	0.87	0.73	0.6																								
	ΔT	23	21	17	14	23	21	17	13	23	21	18	14	23	21	17	13	23	21	17	13	24	22	18	14	24	22	18	14	24	22	18	14	24	22	18	14																								
	kW	1.82	1.82	1.81	1.8	2.02	2.01	2.01	2.0	2.24	2.24	2.23	2.2	2.48	2.48	2.47	2.5	2.75	2.75	2.74	2.8	3.06	3.06	3.06	3.1	3.06	3.06	3.06	3.1	3.06	3.06	3.06	3.1	3.06	3.06	3.06	3.1																								
	Amps	6.4	6.4	6.4	6.4	7.3	7.3	7.3	7.4	8.3	8.3	8.3	8.4	9.4	9.4	9.4	9.5	10.7	10.6	10.6	10.7	12.1	12.1	12.1	12.1	12.1	12.1	12.1	12.1	12.1	12.1	12.1	12.1	12.1	12.1	12.1	12.1																								

IDB: Entering Indoor Dry Bulb Temperature
 High and low pressures are measured at the liquid and suction service valves.
 Shaded area reflects ACCA (TVA) conditions
 kW = Total system power
 Amps = outdoor unit amps (comp.+fan)

EXPANDED COOLING DATA — GLXS4BA3010A*+ CAPTA3026A* (CONT.)

IDB		OUTDOOR AMBIENT TEMPERATURE																																			
		65						75						85						95						105						115					
		AIRFLOW		59	63	67	71	59		63	67	71	59		63	67	71	59		63	67	71	59		63	67	71	59		63	67	71					
80	MBh	29.4	29.8	30.7	32.0	29.1	29.5	30.4	31.7	28.4	28.8	29.7	31.0	27.1	27.5	28.4	29.7	25.5	25.9	26.8	28.1	24.0	24.4	25.3	26.6	23.1	23.5	24.4	25.7	22.0	22.4	23.3	24.6				
	S/T	0.87	0.79	0.66	0.5	0.87	0.80	0.66	0.5	1.00	0.82	0.69	0.5	1.00	0.84	0.71	0.6	1.00	0.86	0.73	0.6	1.00	0.91	0.78	0.6	1.00	0.86	0.73	0.6	1.00	0.91	0.78	0.6				
	ΔT	29	27	24	20	29	27	24	20	30	28	24	20	29	27	24	20	29	27	23	20	30	28	25	21	30	28	25	21	30	28	25	21				
	kW	1.80	1.80	1.80	1.8	2.00	2.00	1.99	2.0	2.22	2.22	2.22	2.2	2.46	2.46	2.46	2.5	2.73	2.73	2.73	2.7	3.04	3.04	3.04	3.1	3.04	3.04	3.04	3.1	3.04	3.04	3.04	3.1				
	Amps	6.3	6.3	6.3	6.4	7.2	7.2	7.2	7.3	8.2	8.2	8.2	8.3	9.3	9.3	9.3	9.4	10.6	10.6	10.6	10.6	12.0	12.0	12.0	12.1	12.0	12.0	12.0	12.1	12.0	12.0	12.0	12.1				
950	MBh	29.6	30.1	30.9	32.3	29.4	29.8	30.7	32.0	28.6	29.0	29.9	31.2	27.3	27.7	28.6	29.9	25.7	26.1	27.0	28.3	24.3	24.7	25.5	26.9	23.4	23.8	24.6	25.9	22.3	22.7	23.5	24.8				
	S/T	0.90	0.83	0.69	0.6	0.91	0.83	0.70	0.6	1.00	0.86	0.72	0.6	1.00	0.87	0.74	0.6	1.00	0.90	0.76	0.6	1.00	0.95	0.81	0.7	1.00	0.90	0.76	0.6	1.00	0.95	0.81	0.7				
	ΔT	29	27	23	19	29	27	23	19	29	27	23	19	29	27	23	19	28	26	23	19	30	28	24	20	30	28	24	20	30	28	24	20				
	kW	1.81	1.80	1.80	1.82	2.01	2.00	2.00	2.02	2.23	2.23	2.22	2.24	2.47	2.47	2.46	2.48	2.74	2.73	2.73	2.75	3.05	3.05	3.05	3.06	3.05	3.05	3.05	3.06	3.05	3.05	3.05	3.06				
	Amps	6.3	6.3	6.3	6.4	7.3	7.3	7.2	7.3	8.3	8.3	8.3	8.3	9.4	9.4	9.4	9.4	10.6	10.6	10.6	10.6	12.0	12.0	12.0	12.1	12.0	12.0	12.0	12.1	12.0	12.0	12.0	12.1				
1125	MBh	30.4	30.8	31.6	33.0	30.1	30.5	31.4	32.7	29.3	29.7	30.6	31.9	28.0	28.4	29.3	30.6	26.4	26.8	27.7	29.0	25.0	25.4	26.3	27.6	24.1	24.5	25.4	26.7	23.0	23.4	24.3	25.6				
	S/T	0.94	0.87	0.73	0.6	1.00	0.87	0.74	0.6	1.00	0.90	0.76	0.6	1.00	0.92	0.78	0.6	1.00	0.94	0.80	0.7	1.00	1.00	0.86	0.7	1.00	0.94	0.80	0.7	1.00	1.00	0.86	0.7				
	ΔT	27	25	22	18	27	25	22	18	27	26	22	18	27	25	22	18	27	25	21	18	28	26	23	19	28	26	23	19	28	26	23	19				
	kW	1.82	1.82	1.81	1.8	2.02	2.02	2.01	2.0	2.24	2.24	2.23	2.2	2.48	2.48	2.47	2.5	2.75	2.75	2.74	2.8	3.06	3.06	3.06	3.1	3.06	3.06	3.06	3.1	3.06	3.06	3.06	3.1				
	Amps	6.4	6.4	6.4	6.5	7.3	7.3	7.3	7.4	8.3	8.3	8.3	8.4	9.4	9.4	9.4	9.5	10.7	10.7	10.7	10.7	12.1	12.1	12.1	12.1	12.1	12.1	12.1	12.1	12.1	12.1	12.1	12.1				

IDB		OUTDOOR AMBIENT TEMPERATURE																																			
		65						75						85						95						105						115					
		AIRFLOW		59	63	67	71	59		63	67	71	59		63	67	71	59		63	67	71	59		63	67	71	59		63	67	71					
875	MBh	29.9	30.3	31.2	32.5	29.6	30.0	30.9	32.2	28.9	29.3	30.1	31.5	27.6	28.0	28.8	30.2	26.0	26.4	27.2	28.6	24.5	24.9	25.8	27.1	23.6	24.0	24.9	26.2	22.5	22.9	23.8	25.1				
	S/T	1.00	0.89	0.76	0.6	1.00	0.90	0.76	0.6	1.00	0.92	0.79	0.6	1.00	0.94	0.81	0.7	1.00	1.00	0.83	0.7	1.00	1.00	0.88	0.7	1.00	1.00	0.88	0.7	1.00	1.00	0.88	0.7				
	ΔT	33	31	28	24	33	31	28	24	33	32	28	24	33	31	28	24	33	31	27	24	34	32	29	25	34	32	29	25	34	32	29	25				
	kW	1.80	1.80	1.80	1.8	2.00	2.00	2.00	2.0	2.22	2.22	2.22	2.2	2.46	2.46	2.46	2.5	2.73	2.73	2.73	2.7	3.05	3.05	3.05	3.1	3.05	3.05	3.05	3.1	3.05	3.05	3.05	3.1				
	Amps	6.3	6.3	6.3	6.4	7.2	7.2	7.2	7.3	8.3	8.3	8.2	8.3	9.4	9.4	9.3	9.4	10.6	10.6	10.6	10.6	12.0	12.0	12.0	12.1	12.0	12.0	12.0	12.1	12.0	12.0	12.0	12.1				
950	MBh	30.1	30.5	31.4	32.7	29.9	30.3	31.2	32.5	29.1	29.5	30.4	31.7	27.8	28.2	29.1	30.4	26.2	26.6	27.5	28.8	24.8	25.2	26.0	27.4	23.9	24.3	25.2	26.5	22.8	23.2	24.1	25.4				
	S/T	1.00	0.92	0.79	0.7	1.00	0.93	0.80	0.7	1.00	0.95	0.82	0.7	1.00	0.97	0.84	0.7	1.00	1.00	0.86	0.7	1.00	1.00	0.91	0.8	1.00	1.00	0.91	0.8	1.00	1.00	0.91	0.8				
	ΔT	33	31	27	23	32	31	27	23	33	31	27	23	32	31	27	23	32	30	27	23	33	31	28	24	33	31	28	24	33	31	28	24				
	kW	1.81	1.81	1.81	1.82	2.01	2.01	2.00	2.02	2.23	2.23	2.23	2.24	2.47	2.47	2.47	2.48	2.74	2.74	2.73	2.75	3.05	3.05	3.05	3.06	3.05	3.05	3.05	3.06	3.05	3.05	3.05	3.06				
	Amps	6.4	6.4	6.3	6.4	7.3	7.3	7.3	7.3	8.3	8.3	8.3	8.3	9.4	9.4	9.4	9.4	10.6	10.6	10.6	10.7	12.1	12.1	12.1	12.1	12.1	12.1	12.1	12.1	12.1	12.1	12.1	12.1				
1125	MBh	30.8	31.3	32.1	33.5	30.6	31.0	31.9	33.2	29.8	30.2	31.1	32.4	28.5	28.9	29.8	31.1	26.9	27.3	28.2	29.5	25.5	25.9	26.7	28.1	24.6	25.0	25.9	27.2	23.5	23.9	24.8	26.1				
	S/T	1.00	0.97	0.83	0.7	1.00	0.97	0.84	0.7	1.00	1.00	0.86	0.7	1.00	1.00	0.88	0.7	1.00	1.00	0.90	0.8	1.00	1.00	0.95	0.8	1.00	1.00	0.95	0.8	1.00	1.00	0.95	0.8				
	ΔT	31	29	25	22	31	29	25	22	31	29	26	22	31	29	25	22	31	29	25	21	32	30	26	23	32	30	26	23	32	30	26	23				
	kW	1.82	1.82	1.82	1.8	2.02	2.02	2.02	2.0	2.24	2.24	2.24	2.3	2.48	2.48	2.48	2.5	2.75	2.75	2.75	2.8	3.07	3.07	3.07	3.1	3.07	3.07	3.07	3.1	3.07	3.07	3.07	3.1				
	Amps	6.4	6.4	6.4	6.5	7.3	7.3	7.3	7.4	8.3	8.3	8.3	8.4	9.4	9.4	9.4	9.5	10.7	10.7	10.7	10.7	12.1	12.1	12.1	12.1	12.1	12.1	12.1	12.1	12.1	12.1	12.1	12.1				

IDB: Entering Indoor Dry Bulb Temperature
 High and low pressures are measured at the liquid and suction service valves.
 Shaded area reflects AHRI conditions
 kW = Total system power
 Amps = outdoor unit amps (comp.+fan)

EXPANDED COOLING DATA — GLXS4BA3610A*+ CAPTA3626A*

IDB		OUTDOOR AMBIENT TEMPERATURE																							
		65				75				85				95				105				115			
		59	63	67	71	59	63	67	71	59	63	67	71	59	63	67	71	59	63	67	71	59	63	67	71
AIRFLOW		ENTERING INDOOR WET BULB TEMPERATURE																							
MBh		35.0	35.5	36.5	-	34.6	35.1	36.2	-	33.7	34.2	35.3	-	32.2	32.7	33.7	-	30.3	30.8	31.8	-	28.5	29.0	30.1	-
S/T		0.63	0.55	0.42	-	0.64	0.56	0.42	-	0.66	0.58	0.45	-	0.68	0.60	0.47	-	0.70	0.63	0.49	-	0.75	0.68	0.54	-
ΔT		20	18	15	-	20	18	15	-	21	19	15	-	20	18	15	-	20	18	14	-	21	19	16	-
kW		2.14	2.14	2.14	-	2.38	2.38	2.38	-	2.65	2.65	2.65	-	2.94	2.94	2.94	-	3.27	3.27	3.26	-	3.65	3.65	3.65	-
Amps		7.5	7.5	7.5	-	8.6	8.6	8.6	-	9.8	9.8	9.8	-	11.2	11.2	11.1	-	12.7	12.7	12.6	-	14.4	14.4	14.4	-
70	MBh	35.3	35.7	36.8	-	34.9	35.4	36.5	-	34.0	34.5	35.6	-	32.5	33.0	34.0	-	30.6	31.0	32.1	-	28.8	29.3	30.3	-
	S/T	0.66	0.59	0.45	-	0.67	0.59	0.46	-	0.69	0.62	0.48	-	0.71	0.64	0.50	-	0.74	0.66	0.52	-	1.00	0.71	0.58	-
	ΔT	20	18	14	-	20	18	14	-	20	18	14	-	20	18	14	-	19	17	14	-	20	19	15	-
	kW	2.15	2.15	2.14	-	2.39	2.39	2.38	-	2.66	2.66	2.65	-	2.95	2.95	2.95	-	3.28	3.27	3.27	-	3.66	3.66	3.65	-
Amps	7.5	7.5	7.5	-	8.6	8.6	8.6	-	9.9	9.9	9.8	-	11.2	11.2	11.2	-	12.7	12.7	12.7	-	14.5	14.4	14.4	-	
1350	MBh	36.1	36.6	37.6	-	35.8	36.3	37.3	-	34.9	35.4	36.4	-	33.3	33.8	34.9	-	31.4	31.9	32.9	-	29.7	30.2	31.2	-
	S/T	0.70	0.63	0.49	-	0.71	0.63	0.50	-	0.74	0.66	0.52	-	0.75	0.68	0.54	-	0.78	0.70	0.57	-	1.00	0.75	0.62	-
	ΔT	18	16	13	-	18	16	13	-	18	16	13	-	18	16	13	-	18	16	12	-	19	17	14	-
	kW	2.16	2.16	2.16	-	2.41	2.40	2.40	-	2.67	2.67	2.67	-	2.97	2.96	2.96	-	3.29	3.29	3.29	-	3.67	3.67	3.67	-
Amps	7.6	7.6	7.6	-	8.7	8.7	8.7	-	9.9	9.9	9.9	-	11.3	11.3	11.3	-	12.8	12.8	12.7	-	14.5	14.5	14.5	-	

IDB		OUTDOOR AMBIENT TEMPERATURE																							
		65				75				85				95				105				115			
		59	63	67	71	59	63	67	71	59	63	67	71	59	63	67	71	59	63	67	71	59	63	67	71
AIRFLOW		ENTERING INDOOR WET BULB TEMPERATURE																							
MBh		35.0	35.5	36.5	38.1	34.7	35.2	36.2	37.8	33.8	34.3	35.3	36.9	32.2	32.7	33.7	35.3	30.3	30.8	31.8	33.4	28.5	29.0	30.1	31.7
S/T		0.76	0.68	0.55	0.4	0.76	0.69	0.55	0.4	0.79	0.71	0.58	0.4	0.81	0.73	0.60	0.5	1.00	0.75	0.62	0.5	1.00	0.81	0.67	0.5
ΔT		25	23	19	15	24	23	19	15	25	23	19	16	24	23	19	15	24	22	19	15	25	23	20	16
kW		2.14	2.14	2.13	2.2	2.38	2.38	2.38	2.4	2.65	2.65	2.64	2.7	2.94	2.94	2.94	3.0	3.27	3.27	3.26	3.3	3.65	3.65	3.64	3.7
Amps		7.5	7.5	7.5	7.6	8.6	8.6	8.6	8.7	9.8	9.8	9.8	9.9	11.2	11.2	11.1	11.2	12.7	12.7	12.6	12.7	14.4	14.4	14.4	14.5
75	MBh	35.3	35.8	36.8	38.4	35.0	35.5	36.5	38.1	34.1	34.5	35.6	37.2	32.5	33.0	34.0	35.6	30.6	31.1	32.1	33.7	28.8	29.3	30.4	32.0
	S/T	0.79	0.72	0.58	0.4	0.80	0.72	0.59	0.4	0.82	0.75	0.61	0.5	0.84	0.77	0.63	0.5	1.00	0.79	0.65	0.5	1.00	0.84	0.70	0.6
	ΔT	24	22	18	15	24	22	18	15	24	22	19	15	24	22	18	15	23	22	18	14	25	23	19	15
	kW	2.15	2.15	2.14	2.16	2.39	2.39	2.38	2.40	2.66	2.66	2.65	2.67	2.95	2.94	2.94	2.96	3.28	3.27	3.27	3.29	3.66	3.66	3.65	3.67
Amps	7.5	7.5	7.5	7.6	8.6	8.6	8.6	8.7	9.9	9.9	9.8	9.9	11.2	11.2	11.2	11.3	12.7	12.7	12.7	12.8	14.4	14.4	14.4	14.5	
1350	MBh	36.1	36.6	37.7	39.2	35.8	36.3	37.3	38.9	34.9	35.4	36.4	38.0	33.3	33.8	34.9	36.5	31.4	31.9	33.0	34.6	29.7	30.2	31.2	32.8
	S/T	0.83	0.76	0.62	0.5	0.84	0.76	0.63	0.5	0.86	0.79	0.65	0.5	1.00	0.81	0.67	0.5	1.00	0.83	0.69	0.6	1.00	0.88	0.75	0.6
	ΔT	22	20	17	13	22	20	17	13	23	21	17	13	22	20	17	13	22	20	17	13	23	21	18	14
	kW	2.16	2.16	2.16	2.2	2.40	2.40	2.40	2.4	2.67	2.67	2.67	2.7	2.96	2.96	2.96	3.0	3.29	3.29	3.28	3.3	3.67	3.67	3.67	3.7
Amps	7.6	7.6	7.6	7.7	8.7	8.7	8.7	8.8	9.9	9.9	9.9	10.0	11.3	11.3	11.2	11.3	12.8	12.8	12.7	12.8	14.5	14.5	14.5	14.6	

IDB: Entering Indoor Dry Bulb Temperature
 High and low pressures are measured at the liquid and suction service valves.
 Shaded area reflects ACCA (TVA) conditions
 kW = Total system power
 Amps = outdoor unit amps (comp.+fan)

EXPANDED COOLING DATA — GLXS4BA3610A*+ CAPTA3626A* (CONT.)

IDB		OUTDOOR AMBIENT TEMPERATURE																																				
		65						75						85						95						105						115						
		AIRFLOW	59	63	67	71	75	59	63	67	71	75	59	63	67	71	75	59	63	67	71	75	59	63	67	71	75	59	63	67	71	75						
		ENTERING INDOOR WET BULB TEMPERATURE																																				
80	1050	MBh	35.2	35.7	36.7	38.3	34.8	35.3	36.4	38.0	33.9	34.4	35.5	37.1	32.4	32.9	33.9	35.5	30.5	31.0	32.0	33.6	28.7	29.2	30.3	31.8	1.00	0.93	0.80	0.7	30.5	31.0	32.0	33.6	28.7	29.2	30.3	31.8
	S/T	0.88	0.81	0.67	0.5	0.89	0.81	0.68	0.5	1.00	0.84	0.70	0.6	1.00	0.86	0.72	0.6	1.00	0.88	0.74	0.6	1.00	0.93	0.80	0.7	1.00	0.88	0.74	0.6	1.00	0.88	0.74	0.6	1.00	0.93	0.80	0.7	
	ΔT	29	27	23	20	29	27	23	19	29	27	23	20	29	27	23	19	28	27	23	19	30	28	24	20	30	28	24	20	30	28	24	20	30	28	24	20	
	kW	2.14	2.14	2.14	2.2	2.38	2.38	2.38	2.4	2.65	2.65	2.65	2.7	2.94	2.94	2.94	3.0	3.27	3.27	3.27	3.3	3.65	3.65	3.65	3.7	3.65	3.65	3.65	3.7	3.65	3.65	3.65	3.7	3.65	3.65	3.65	3.7	
	Amps	7.5	7.5	7.5	7.6	8.6	8.6	8.6	8.7	9.8	9.8	9.8	9.9	11.2	11.2	11.1	11.2	12.7	12.7	12.7	12.7	14.4	14.4	14.4	14.5	14.4	14.4	14.4	14.5	14.4	14.4	14.4	14.5	14.4	14.4	14.4	14.5	
1138	MBh	35.5	35.9	37.0	38.6	35.1	35.6	36.7	38.3	34.2	34.7	35.8	37.4	32.7	33.2	34.2	35.8	30.8	31.2	32.3	33.9	29.0	29.5	30.5	32.1	30.8	31.2	32.3	33.9	29.0	29.5	30.5	32.1	30.8	31.2	32.3	33.9	
	S/T	0.92	0.84	0.71	0.6	0.92	0.85	0.71	0.6	1.00	0.87	0.74	0.6	1.00	0.89	0.76	0.6	1.00	0.91	0.78	0.6	1.00	0.96	0.83	0.7	1.00	0.91	0.78	0.6	1.00	0.96	0.83	0.7	1.00	0.96	0.83	0.7	
	ΔT	28	26	23	19	28	26	23	19	28	26	23	19	28	26	22	19	28	26	22	19	29	27	23	20	28	26	22	19	29	27	23	20	29	27	23	20	
	kW	2.15	2.15	2.14	2.16	2.39	2.39	2.38	2.40	2.66	2.66	2.65	2.67	2.95	2.95	2.94	2.96	3.28	3.27	3.27	3.29	3.66	3.66	3.66	3.67	3.66	3.66	3.66	3.67	3.66	3.66	3.66	3.67	3.66	3.66	3.66	3.67	
	Amps	7.5	7.5	7.5	7.6	8.6	8.6	8.6	8.7	9.9	9.9	9.8	9.9	11.2	11.2	11.2	11.3	12.7	12.7	12.7	12.8	14.4	14.4	14.4	14.5	14.4	14.4	14.4	14.5	14.4	14.4	14.4	14.5	14.4	14.4	14.4	14.5	
1350	MBh	36.3	36.8	37.8	39.4	36.0	36.5	37.5	39.1	35.1	35.6	36.6	38.2	33.5	34.0	35.1	36.6	31.6	32.1	33.1	34.7	29.9	30.4	31.4	33.0	31.6	32.1	33.1	34.7	29.9	30.4	31.4	33.0	31.6	32.1	33.1	34.7	
	S/T	0.96	0.88	0.75	0.6	1.00	0.89	0.75	0.6	1.00	0.91	0.78	0.6	1.00	0.93	0.80	0.7	1.00	0.95	0.82	0.7	1.00	1.00	0.87	0.7	1.00	0.95	0.82	0.7	1.00	1.00	0.87	0.7	1.00	1.00	0.87	0.7	
	ΔT	27	25	21	17	27	25	21	17	27	25	21	18	27	25	21	17	26	24	21	17	28	26	22	18	26	24	21	17	28	26	22	18	28	26	22	18	
	kW	2.16	2.16	2.16	2.2	2.41	2.40	2.40	2.4	2.67	2.67	2.67	2.7	2.97	2.96	2.96	3.0	3.29	3.29	3.29	3.3	3.67	3.67	3.67	3.7	3.67	3.67	3.67	3.7	3.67	3.67	3.67	3.7	3.67	3.67	3.67	3.7	
	Amps	7.6	7.6	7.6	7.7	8.7	8.7	8.7	8.8	9.9	9.9	9.9	10.0	11.3	11.3	11.3	11.3	12.8	12.8	12.7	12.8	14.5	14.5	14.5	14.6	14.5	14.5	14.5	14.6	14.5	14.5	14.5	14.6	14.5	14.5	14.5	14.6	

85	1050	MBh	35.7	36.2	37.3	38.9	35.4	35.9	37.0	38.6	34.5	35.0	36.1	37.6	33.0	33.5	34.5	36.1	31.1	31.5	32.6	34.2	29.3	29.8	30.8	32.4	31.1	31.5	32.6	34.2	29.3	29.8	30.8	32.4
	S/T	1.00	0.91	0.77	0.6	1.00	0.91	0.78	0.6	1.00	0.94	0.80	0.7	1.00	0.96	0.82	0.7	1.00	1.00	0.84	0.7	1.00	1.00	0.90	0.8	1.00	1.00	0.84	0.7	1.00	1.00	0.90	0.8	
	ΔT	33	31	27	23	32	31	27	23	33	31	27	24	32	31	27	23	32	30	27	23	33	31	28	24	32	30	27	23	33	31	28	24	
	kW	2.15	2.14	2.14	2.2	2.39	2.39	2.38	2.4	2.66	2.65	2.65	2.7	2.95	2.95	2.94	3.0	3.27	3.27	3.27	3.3	3.66	3.65	3.65	3.7	3.66	3.65	3.65	3.7	3.66	3.65	3.65	3.7	
	Amps	7.5	7.5	7.5	7.6	8.6	8.6	8.6	8.7	9.9	9.9	9.8	9.9	11.2	11.2	11.2	11.3	12.7	12.7	12.7	12.7	14.4	14.4	14.4	14.5	14.4	14.4	14.4	14.5	14.4	14.4	14.4	14.5	
1138	MBh	36.0	36.5	37.6	39.2	35.7	36.2	37.3	38.8	34.8	35.3	36.3	37.9	33.3	33.7	34.8	36.4	31.3	31.8	32.9	34.5	29.6	30.1	31.1	32.7	31.3	31.8	32.9	34.5	29.6	30.1	31.1	32.7	
	S/T	1.00	0.94	0.81	0.7	1.00	0.95	0.81	0.7	1.00	0.97	0.84	0.7	1.00	1.00	0.86	0.7	1.00	1.00	0.88	0.7	1.00	1.00	0.93	0.8	1.00	1.00	0.88	0.7	1.00	1.00	0.93	0.8	
	ΔT	32	30	26	23	32	30	26	23	32	30	27	23	32	30	26	23	32	30	26	22	33	31	27	23	32	30	26	22	33	31	27	23	
	kW	2.15	2.15	2.15	2.17	2.39	2.39	2.39	2.41	2.66	2.66	2.66	2.68	2.96	2.95	2.95	2.97	3.28	3.28	3.28	3.29	3.66	3.66	3.66	3.68	3.66	3.66	3.66	3.68	3.66	3.66	3.66	3.68	
	Amps	7.6	7.6	7.5	7.6	8.7	8.7	8.6	8.7	9.9	9.9	9.9	10.0	11.2	11.2	11.2	11.3	12.7	12.7	12.7	12.8	14.5	14.5	14.5	14.6	14.5	14.5	14.5	14.6	14.5	14.5	14.5	14.6	
1350	MBh	36.9	37.4	38.4	40.0	36.6	37.1	38.1	39.7	35.7	36.2	37.2	38.8	34.1	34.6	35.6	37.2	32.2	32.7	33.7	35.3	30.5	30.9	32.0	33.6	32.2	32.7	33.7	35.3	30.5	30.9	32.0	33.6	
	S/T	1.00	0.98	0.85	0.7	1.00	0.99	0.85	0.7	1.00	1.00	0.88	0.7	1.00	1.00	0.90	0.8	1.00	1.00	0.92	0.8	1.00	1.00	0.97	0.8	1.00	1.00	0.92	0.8	1.00	1.00	0.97	0.8	
	ΔT	30	29	25	21	30	28	25	21	31	29	25	21	30	28	25	21	30	28	25	21	31	29	26	22	30	28	25	21	31	29	26	22	
	kW	2.17	2.17	2.16	2.2	2.41	2.41	2.40	2.4	2.68	2.68	2.67	2.7	2.97	2.97	2.96	3.0	3.30	3.29	3.29	3.3	3.68	3.68	3.67	3.7	3.68	3.68	3.67	3.7	3.68	3.68	3.67	3.7	
	Amps	7.6	7.6	7.6	7.7	8.7	8.7	8.7	8.8	10.0	10.0	9.9	10.0	11.3	11.3	11.3	11.4	12.8	12.8	12.8	12.8	14.5	14.5	14.5	14.6	14.5	14.5	14.5	14.6	14.5	14.5	14.5	14.6	

IDB: Entering Indoor Dry Bulb Temperature
 High and low pressures are measured at the liquid and suction service valves.
 Shaded area reflects AHRI conditions
 kW = Total system power
 Amps = outdoor unit amps (comp.+fan)

EXPANDED COOLING DATA — GLXS4BA4210A*+ CAPTA4230A*

IDB		OUTDOOR AMBIENT TEMPERATURE																											
		65				75				85				95				105				115							
		59	63	67	71	59	63	67	71	59	63	67	71	59	63	67	71	59	63	67	71	59	63	67	71				
		ENTERING INDOOR WET BULB TEMPERATURE																											
AIRFLOW		59	63	67	71	59	63	67	71	59	63	67	71	59	63	67	71	59	63	67	71	59	63	67	71	59	63	67	71
70	1225	MBh	40.6	41.2	42.4	-	40.2	40.8	42.0	-	39.2	39.8	41.0	-	37.4	37.9	39.1	-	35.1	35.7	36.9	-	33.1	33.7	34.9	-			
		S/T	0.60	0.53	0.39	-	0.61	0.53	0.39	-	0.63	0.56	0.42	-	0.65	0.58	0.44	-	0.68	0.60	0.46	-	0.73	0.65	0.51	-			
		ΔT	20	18	15	-	20	18	15	-	20	19	15	-	20	18	15	-	20	18	15	-	21	19	16	-			
		kW	2.51	2.51	2.50	-	2.79	2.79	2.78	-	3.10	3.10	3.09	-	3.43	3.43	3.43	-	3.81	3.81	3.80	-	4.25	4.25	4.24	-			
		Amps	8.6	8.6	8.6	-	9.9	9.9	9.8	-	11.3	11.3	11.3	-	12.8	12.8	12.8	-	14.5	14.5	14.5	-	16.5	16.5	16.5	-			
70	1435	MBh	41.2	41.8	43.0	-	40.9	41.4	42.7	-	39.8	40.4	41.6	-	38.0	38.5	39.8	-	35.7	36.3	37.5	-	33.7	34.3	35.5	-			
		S/T	0.68	0.60	0.46	-	0.68	0.61	0.47	-	0.71	0.63	0.49	-	0.73	0.65	0.51	-	0.75	0.67	0.54	-	1.00	0.73	0.59	-			
		ΔT	19	17	14	-	19	17	13	-	19	17	14	-	19	17	13	-	19	17	13	-	20	18	14	-			
		kW	2.53	2.53	2.52	-	2.81	2.80	2.80	-	3.12	3.11	3.11	-	3.45	3.45	3.44	-	3.83	3.82	3.82	-	4.27	4.26	4.26	-			
		Amps	8.7	8.7	8.6	-	9.9	9.9	9.9	-	11.4	11.4	11.3	-	12.9	12.9	12.9	-	14.6	14.6	14.6	-	16.6	16.6	16.6	-			
70	1575	MBh	41.7	42.3	43.5	-	41.4	41.9	43.1	-	40.3	40.9	42.1	-	38.5	39.0	40.3	-	36.2	36.8	38.0	-	34.2	34.8	36.0	-			
		S/T	0.71	0.63	0.49	-	0.71	0.63	0.50	-	0.74	0.66	0.52	-	0.76	0.68	0.54	-	0.78	0.70	0.56	-	1.00	0.75	0.62	-			
		ΔT	18	16	13	-	18	16	13	-	18	16	13	-	18	16	13	-	18	16	12	-	19	17	14	-			
		kW	2.54	2.54	2.53	-	2.82	2.81	2.81	-	3.13	3.12	3.12	-	3.46	3.46	3.45	-	3.84	3.83	3.83	-	4.27	4.27	4.27	-			
		Amps	8.7	8.7	8.7	-	10.0	10.0	10.0	-	11.4	11.4	11.4	-	12.9	12.9	12.9	-	14.7	14.6	14.6	-	16.7	16.7	16.6	-			

75	1225	MBh	40.6	41.2	42.4	44.3	40.3	40.8	42.1	43.9	39.2	39.8	41.0	42.9	37.4	38.0	39.2	41.0	35.1	35.7	36.9	38.8	33.1	33.7	34.9	36.8
		S/T	0.73	0.66	0.52	0.4	0.74	0.66	0.52	0.4	0.77	0.69	0.55	0.4	0.79	0.71	0.57	0.4	1.00	0.73	0.59	0.4	1.00	0.78	0.64	0.5
		ΔT	24	22	19	15	24	22	19	15	24	23	19	16	24	22	19	15	24	22	19	15	25	23	20	16
		kW	2.51	2.51	2.50	2.5	2.79	2.78	2.78	2.8	3.10	3.09	3.09	3.1	3.43	3.43	3.43	3.4	3.81	3.80	3.80	3.8	4.25	4.24	4.24	4.3
		Amps	8.6	8.6	8.6	8.7	9.9	9.9	9.8	9.9	11.3	11.3	11.2	11.3	12.8	12.8	12.8	12.9	14.5	14.5	14.5	14.6	16.5	16.5	16.5	16.6
75	1435	MBh	41.3	41.8	43.0	44.9	40.9	41.5	42.7	44.5	39.8	40.4	41.6	43.5	38.0	38.6	39.8	41.6	35.8	36.3	37.6	39.4	33.7	34.3	35.5	37.4
		S/T	0.81	0.73	0.59	0.4	0.81	0.74	0.60	0.5	0.84	0.76	0.62	0.5	0.86	0.78	0.64	0.5	1.00	0.80	0.67	0.5	1.00	0.86	0.72	0.6
		ΔT	23	21	18	14	23	21	18	14	23	21	18	14	23	21	18	14	23	21	17	14	24	22	18	15
		kW	2.53	2.52	2.52	2.54	2.80	2.80	2.80	2.82	3.11	3.11	3.11	3.13	3.45	3.45	3.44	3.46	3.82	3.82	3.82	3.84	4.26	4.26	4.26	4.28
		Amps	8.7	8.7	8.6	8.7	9.9	9.9	9.9	10.0	11.4	11.3	11.3	11.4	12.9	12.9	12.9	13.0	14.6	14.6	14.6	14.7	16.6	16.6	16.6	16.7
75	1575	MBh	41.7	42.3	43.5	45.4	41.4	42.0	43.2	45.0	40.3	40.9	42.1	44.0	38.5	39.1	40.3	42.1	36.3	36.8	38.0	39.9	34.2	34.8	36.0	37.9
		S/T	0.84	0.76	0.62	0.5	0.84	0.77	0.63	0.5	0.87	0.79	0.65	0.5	1.00	0.81	0.67	0.5	1.00	0.83	0.70	0.6	1.00	0.89	0.75	0.6
		ΔT	22	20	17	13	22	20	17	13	22	21	17	13	22	20	17	13	22	20	17	13	23	21	18	14
		kW	2.54	2.53	2.53	2.6	2.81	2.81	2.81	2.8	3.12	3.12	3.12	3.1	3.46	3.46	3.45	3.5	3.83	3.83	3.83	3.8	4.27	4.27	4.27	4.3
		Amps	8.7	8.7	8.7	8.8	10.0	10.0	10.0	10.0	11.4	11.4	11.4	11.5	12.9	12.9	12.9	13.0	14.6	14.6	14.6	14.7	16.7	16.7	16.6	16.7

IDB: Entering Indoor Dry Bulb Temperature
 High and low pressures are measured at the liquid and suction service valves.
 Shaded area reflects ACCA (TVA) conditions
 kW = Total system power
 Amps = outdoor unit amps (comp.+fan)

EXPANDED COOLING DATA — GLXS4BA4210A*+ CAPTA4230A* (CONT.)

IDB		OUTDOOR AMBIENT TEMPERATURE																																			
		65						75						85						95						105						115					
		59	63	67	71	75	79	59	63	67	71	75	79	59	63	67	71	75	79	59	63	67	71	75	79	59	63	67	71	75	79	59	63	67	71	75	79
		ENTERING INDOOR WET BULB TEMPERATURE																																			
AIRFLOW		40.8	41.4	42.6	44.5	40.5	41.1	42.3	44.1	39.4	40.0	41.2	43.1	37.6	38.2	39.4	41.2	35.4	35.9	37.1	39.0	33.3	33.9	35.1	37.0												
		0.86	0.78	0.65	0.5	0.87	0.79	0.65	0.5	1.00	0.82	0.68	0.5	1.00	0.84	0.70	0.6	1.00	0.86	0.72	0.6	1.00	0.91	0.77	0.6												
1225		ΔT	28	26	23	19	28	26	23	19	29	27	23	20	28	26	23	19	28	26	23	19	29	27	24	20											
		kW	2.51	2.51	2.50	2.5	2.79	2.79	2.78	2.8	3.10	3.10	3.09	3.1	3.43	3.43	3.43	3.4	3.81	3.81	3.80	3.8	4.25	4.25	4.24	4.3											
		Amps	8.6	8.6	8.6	8.7	9.9	9.9	9.8	9.9	11.3	11.3	11.3	11.4	12.8	12.8	12.8	12.9	14.5	14.5	14.5	14.6	16.5	16.5	16.5	16.6											
		MBh	41.5	42.0	43.3	45.1	41.1	41.7	42.9	44.7	40.0	40.6	41.8	43.7	38.2	38.8	40.0	41.9	36.0	36.5	37.8	39.6	33.9	34.5	35.7	37.6											
80		S/T	0.94	0.86	0.72	0.6	0.94	0.86	0.73	0.6	1.00	0.89	0.75	0.6	1.00	0.91	0.77	0.6	1.00	0.93	0.79	0.6	1.00	1.00	0.85	0.7											
		ΔT	27	25	22	18	27	25	22	18	27	25	22	18	27	25	22	18	27	25	21	18	28	26	23	19											
		kW	2.53	2.53	2.52	2.54	2.81	2.80	2.80	2.82	3.12	3.11	3.11	3.13	3.45	3.45	3.44	3.47	3.83	3.82	3.82	3.84	4.26	4.26	4.26	4.28											
		Amps	8.7	8.7	8.6	8.7	9.9	9.9	9.9	10.0	11.4	11.4	11.3	11.4	12.9	12.9	12.9	13.0	14.6	14.6	14.6	14.7	16.6	16.6	16.6	16.7											
		MBh	42.0	42.5	43.7	45.6	41.6	42.2	43.4	45.2	40.5	41.1	42.3	44.2	38.7	39.3	40.5	42.3	36.5	37.0	38.3	40.1	34.4	35.0	36.2	38.1											
		S/T	0.96	0.89	0.75	0.6	1.00	0.89	0.76	0.6	1.00	0.92	0.78	0.6	1.00	0.94	0.80	0.7	1.00	0.96	0.82	0.7	1.00	1.00	0.88	0.7											
1575		ΔT	26	24	21	17	26	24	21	17	26	25	21	18	26	24	21	17	26	24	21	17	27	25	22	18											
		kW	2.54	2.54	2.53	2.6	2.82	2.81	2.81	2.8	3.13	3.12	3.12	3.1	3.46	3.46	3.45	3.5	3.83	3.83	3.83	3.8	4.27	4.27	4.27	4.3											
		Amps	8.7	8.7	8.7	8.8	10.0	10.0	10.0	10.1	11.4	11.4	11.4	11.5	12.9	12.9	12.9	13.0	14.7	14.6	14.6	14.7	16.7	16.7	16.7	16.7											

		MBh	41.5	42.1	43.3	45.2	41.2	41.7	43.0	44.8	40.1	40.7	41.9	43.8	38.3	38.9	40.1	41.9	36.0	36.6	37.8	39.7	34.0	34.6	35.8	37.7
1225		S/T	1.00	0.89	0.75	0.6	1.00	0.89	0.76	0.6	1.00	0.92	0.78	0.6	1.00	0.94	0.80	0.7	1.00	1.00	0.82	0.7	1.00	1.00	0.88	0.7
		ΔT	32	30	27	23	32	30	27	23	32	30	27	23	32	30	27	23	32	30	26	23	33	31	27	24
		kW	2.52	2.51	2.51	2.5	2.79	2.79	2.79	2.8	3.10	3.10	3.10	3.1	3.44	3.44	3.43	3.5	3.81	3.81	3.81	3.8	4.25	4.25	4.25	4.3
		Amps	8.6	8.6	8.6	8.7	9.9	9.9	9.9	10.0	11.3	11.3	11.3	11.4	12.8	12.8	12.8	12.9	14.6	14.5	14.5	14.6	16.6	16.6	16.5	16.6
		MBh	42.2	42.7	43.9	45.8	41.8	42.4	43.6	45.4	40.7	41.3	42.5	44.4	38.9	39.5	40.7	42.5	36.7	37.2	38.5	40.3	34.6	35.2	36.4	38.3
85		S/T	1.00	0.96	0.82	0.7	1.00	0.97	0.83	0.7	1.00	0.99	0.86	0.7	1.00	1.00	0.87	0.7	1.00	1.00	0.90	0.8	1.00	1.00	0.95	0.8
		ΔT	31	29	25	22	31	29	25	22	31	29	26	22	31	29	25	22	30	28	25	21	31	30	26	23
		kW	2.53	2.53	2.53	2.55	2.81	2.81	2.80	2.83	3.12	3.12	3.11	3.14	3.46	3.45	3.45	3.47	3.83	3.83	3.82	3.84	4.27	4.27	4.26	4.28
		Amps	8.7	8.7	8.7	8.8	10.0	10.0	9.9	10.0	11.4	11.4	11.4	11.5	12.9	12.9	12.9	13.0	14.6	14.6	14.6	14.7	16.6	16.6	16.6	16.7
		MBh	42.6	43.2	44.4	46.3	42.3	42.9	44.1	45.9	41.2	41.8	43.0	44.9	39.4	40.0	41.2	43.0	37.2	37.7	38.9	40.8	35.1	35.7	36.9	38.8
1575		S/T	1.00	0.99	0.85	0.7	1.00	1.00	0.86	0.7	1.00	1.00	0.88	0.7	1.00	1.00	0.90	0.8	1.00	1.00	0.93	0.8	1.00	1.00	0.98	0.8
		ΔT	30	28	25	21	30	28	25	21	30	28	25	21	30	28	24	21	30	28	24	21	31	29	25	22
		kW	2.54	2.54	2.54	2.6	2.82	2.82	2.81	2.8	3.13	3.13	3.12	3.1	3.47	3.46	3.46	3.5	3.84	3.84	3.83	3.9	4.28	4.28	4.27	4.3
		Amps	8.7	8.7	8.7	8.8	10.0	10.0	10.0	10.1	11.4	11.4	11.4	11.5	13.0	13.0	12.9	13.0	14.7	14.7	14.6	14.7	16.7	16.7	16.7	16.8

IDB: Entering Indoor Dry Bulb Temperature
 High and low pressures are measured at the liquid and suction service valves.
 Shaded area reflects AHRI conditions
 kW = Total system power
 Amps = outdoor unit amps (comp.+fan)

EXPANDED COOLING DATA — GLXS4BA4810A*+ CAPTA6030A*

IDB		OUTDOOR AMBIENT TEMPERATURE																																																											
		75												85												95												105												115											
		65				75				85				95				105				115				125				135				145				155																							
AIRFLOW		59	63	67	71	59	63	67	71	59	63	67	71	59	63	67	71	59	63	67	71	59	63	67	71	59	63	67	71	59	63	67	71	59	63	67	71																								
70	MBh	46.9	47.6	48.9	-	46.5	47.1	48.5	-	45.3	45.9	47.3	-	43.2	43.9	45.2	-	40.7	41.3	42.7	-	38.3	39.0	40.4	-	35.8	36.5	37.9	-	33.3	34.0	35.4	-	30.8	31.5	32.9	-	28.3	29.0	30.4	-																				
	S/T	0.63	0.56	0.43	-	0.64	0.57	0.44	-	0.66	0.59	0.46	-	0.68	0.61	0.48	-	0.70	0.63	0.50	-	0.75	0.68	0.55	-	0.79	0.72	0.59	-	0.84	0.77	0.64	-	0.89	0.82	0.69	-	0.94	0.87	0.74	-																				
	ΔT	20	18	14	-	20	18	14	-	20	18	15	-	20	18	14	-	20	18	14	-	21	19	15	-	21	19	14	-	21	19	15	-	21	19	15	-	21	19	15	-																				
	kW	2.84	2.84	2.83	-	3.17	3.16	3.16	-	3.53	3.53	3.52	-	3.93	3.92	3.92	-	4.37	4.37	4.36	-	4.89	4.88	4.88	-	5.41	5.40	5.39	-	5.93	5.92	5.91	-	6.45	6.44	6.43	-	6.97	6.96	6.95	-																				
	Amps	10.2	10.2	10.1	-	11.7	11.7	11.6	-	13.3	13.3	13.3	-	15.1	15.1	15.1	-	17.2	17.2	17.1	-	19.5	19.5	19.5	-	21.8	21.8	21.8	-	24.1	24.1	24.1	-	26.4	26.4	26.4	-	28.7	28.7	28.7	-																				
MBh	47.7	48.4	49.8	-	47.3	48.0	49.4	-	46.1	46.8	48.2	-	44.0	44.7	46.1	-	41.5	42.2	43.5	-	39.2	39.8	41.2	-	36.7	37.4	38.8	-	34.2	34.9	36.3	-	31.7	32.4	33.8	-	29.2	29.9	31.3	-																					
S/T	0.67	0.60	0.47	-	0.68	0.60	0.47	-	0.70	0.63	0.50	-	0.72	0.65	0.52	-	0.74	0.67	0.54	-	0.79	0.72	0.59	-	0.84	0.77	0.64	-	0.89	0.82	0.69	-	0.94	0.87	0.74	-																									
ΔT	19	17	13	-	19	17	13	-	19	17	14	-	19	17	13	-	19	17	13	-	20	18	14	-	20	18	14	-	20	18	14	-	20	18	14	-																									
kW	2.85	2.85	2.85	-	3.18	3.18	3.17	-	3.55	3.54	3.54	-	3.94	3.94	3.93	-	4.39	4.38	4.38	-	4.90	4.90	4.90	-	5.41	5.40	5.39	-	5.93	5.92	5.91	-	6.45	6.44	6.43	-																									
Amps	10.2	10.2	10.2	-	11.7	11.7	11.7	-	13.4	13.4	13.4	-	15.2	15.2	15.2	-	17.2	17.2	17.2	-	19.6	19.6	19.6	-	22.0	22.0	22.0	-	24.4	24.4	24.4	-	26.8	26.8	26.8	-																									
MBh	48.8	49.4	50.8	-	48.4	49.0	50.4	-	47.2	47.8	49.2	-	45.1	45.7	47.1	-	42.5	43.2	44.6	-	40.2	40.9	42.3	-	37.7	38.4	39.8	-	35.4	36.1	37.5	-	33.1	33.8	35.2	-																									
S/T	0.68	0.60	0.48	-	0.68	0.61	0.48	-	0.71	0.63	0.50	-	0.73	0.65	0.52	-	0.75	0.67	0.54	-	1.00	0.72	0.59	-	1.00	0.72	0.59	-	1.00	0.72	0.59	-																													
ΔT	18	16	12	-	18	16	12	-	18	16	13	-	18	16	12	-	18	16	12	-	19	17	13	-	19	17	13	-	19	17	13	-																													
kW	2.87	2.87	2.86	-	3.20	3.19	3.19	-	3.56	3.56	3.55	-	3.96	3.95	3.95	-	4.40	4.40	4.39	-	4.92	4.92	4.91	-	5.44	5.44	5.43	-	5.96	5.96	5.95	-																													
Amps	10.3	10.3	10.3	-	11.8	11.8	11.8	-	13.5	13.5	13.4	-	15.3	15.3	15.2	-	17.3	17.3	17.3	-	19.7	19.7	19.7	-	22.1	22.1	22.1	-	24.5	24.5	24.5	-																													

IDB		OUTDOOR AMBIENT TEMPERATURE																																																											
		75												85												95												105												115											
		65				75				85				95				105				115				125				135				145				155																							
AIRFLOW		59	63	67	71	59	63	67	71	59	63	67	71	59	63	67	71	59	63	67	71	59	63	67	71	59	63	67	71	59	63	67	71	59	63	67	71																								
75	MBh	46.9	47.6	49.0	51.1	46.5	47.2	48.5	50.7	45.3	46.0	47.3	49.5	43.2	43.9	45.3	47.4	40.7	41.3	42.7	44.8	38.4	39.0	40.4	42.5	35.9	36.6	38.0	40.1	33.4	34.1	35.5	37.6	30.9	31.6	33.0	35.1																								
	S/T	0.76	0.68	0.56	0.4	0.76	0.69	0.56	0.4	0.79	0.71	0.59	0.4	0.81	0.73	0.60	0.5	1.00	0.75	0.63	0.5	1.00	0.80	0.67	0.5	1.00	0.84	0.71	0.6	1.00	0.84	0.71	0.6																												
	ΔT	24	22	19	15	24	22	19	15	25	23	19	15	24	22	19	15	24	22	18	15	25	23	20	16	25	23	20	16	25	23	20	16																												
	kW	2.84	2.83	2.83	2.9	3.16	3.16	3.16	3.2	3.53	3.53	3.52	3.5	3.92	3.92	3.92	3.9	4.37	4.36	4.36	4.4	4.89	4.88	4.88	4.9	5.41	5.40	5.39	5.4	5.93	5.92	5.91	5.9																												
	Amps	10.2	10.1	10.1	10.2	11.7	11.6	11.6	11.7	13.3	13.3	13.3	13.4	15.1	15.1	15.1	15.2	17.2	17.2	17.1	17.2	19.5	19.5	19.5	19.6	21.8	21.8	21.8	21.9	24.1	24.1	24.1	24.2																												
MBh	47.8	48.4	49.8	51.9	47.4	48.0	49.4	51.5	46.1	46.8	48.2	50.3	44.1	44.7	46.1	48.2	41.5	42.2	43.6	45.7	39.2	39.9	41.2	43.4	36.7	37.4	38.8	40.9	34.2	34.9	36.3	38.4																													
S/T	0.79	0.72	0.59	0.5	0.80	0.73	0.60	0.5	0.82	0.75	0.62	0.5	0.84	0.77	0.64	0.5	1.00	0.79	0.66	0.5	1.00	0.84	0.71	0.6	1.00	0.84	0.71	0.6	1.00	0.84	0.71	0.6																													
ΔT	23	21	18	14	23	21	18	14	24	22	18	14	23	21	18	14	23	21	17	14	24	22	19	15	24	22	19	15	24	22	19	15																													
kW	2.85	2.85	2.84	2.87	3.18	3.18	3.17	3.20	3.55	3.54	3.54	3.56	3.94	3.94	3.93	3.96	4.38	4.38	4.37	4.40	4.90	4.90	4.89	4.92	5.41	5.40	5.39	5.4	5.93	5.92	5.91	5.9																													
Amps	10.2	10.2	10.2	10.3	11.7	11.7	11.7	11.8	13.4	13.4	13.4	13.5	15.2	15.2	15.2	15.3	17.2	17.2	17.2	17.3	19.6	19.6	19.6	19.7	22.0	22.0	22.0	22.1	24.4	24.4	24.4	24.5																													
MBh	48.8	49.5	50.9	53.0	48.4	49.1	50.4	52.5	47.2	47.8	49.2	51.3	45.1	45.8	47.1	49.3	42.6	43.2	44.6	46.7	40.2	40.9	42.3	44.4	37.7	38.4	39.8	41.9	35.4	36.1	37.5	39.6																													
S/T	0.80	0.73	0.60	0.5	0.81	0.73	0.60	0.5	0.83	0.76	0.63	0.5	0.85	0.78	0.65	0.5	1.00	0.80	0.67	0.5	1.00	0.85	0.72	0.6	1.00	0.85	0.72	0.6	1.00	0.85	0.72	0.6																													
ΔT	22	20	17	13	22	20	17	13	23	21	17	13	22	20	17	13	22	20	16	13	23	21	18	14	23	21	18	14	23	21	18	14																													
kW	2.87	2.86	2.86	2.9	3.19	3.19	3.19	3.2	3.56	3.56	3.55	3.6	3.96	3.95	3.95	4.0	4.40	4.39	4.39	4.4	4.92	4.91	4.91	4.9	5.44	5.44	5.43	5.4	5.96	5.96	5.95	5.9																													
Amps	10.3	10.3	10.3	10.4	11.8	11.8	11.8	11.9	13.5	13.5	13.4	13.5	15.3	15.3	15.2	15.4	17.3	17.3	17.3	17.4	19.7	19.7	19.7	19.8	22.1	22.1	22.1	22.2	24.5	24.5	24.5	24.6																													

IDB: Entering Indoor Dry Bulb Temperature
 High and low pressures are measured at the liquid and suction service valves.
 Shaded area reflects ACCA (TVA) conditions
 kW = Total system power
 Amps = outdoor unit amps (comp.+fan)

IDB	AIRFLOW	OUTDOOR AMBIENT TEMPERATURE																																									
		65							75							85							95							105							115						
		59	63	67	71	75	79	83	59	63	67	71	75	79	83	59	63	67	71	75	79	83	59	63	67	71	75	79	83	59	63	67	71	75	79	83							
80	1400	MBh	47.2	47.8	49.2	51.3	46.8	47.4	48.8	50.9	45.5	46.2	47.6	49.7	43.5	44.1	45.5	47.6	40.9	41.6	43.0	45.1	38.6	39.3	40.6	42.8	40.9	41.6	43.0	45.1	38.6	39.3	40.6	42.8									
		S/T	0.88	0.80	0.68	0.5	0.88	0.81	0.68	0.5	1.00	0.83	0.70	0.6	1.00	0.85	0.72	0.6	1.00	0.87	0.74	0.6	1.00	0.92	0.79	0.7	1.00	0.87	0.74	0.6	1.00	0.92	0.79	0.7									
		ΔT	29	27	23	19	29	27	23	19	29	27	23	20	29	27	23	19	28	26	23	19	30	28	24	20	28	26	23	19	30	28	24	20									
		kW	2.84	2.84	2.83	2.9	3.17	3.16	3.16	3.2	3.53	3.53	3.52	3.5	3.93	3.92	3.92	3.9	4.37	4.37	4.36	4.4	4.89	4.88	4.88	4.9	4.37	4.37	4.36	4.4	4.89	4.88	4.88	4.9									
		Amps	10.2	10.2	10.1	10.2	11.7	11.7	11.6	11.7	13.3	13.3	13.3	13.4	15.1	15.1	15.1	15.2	17.2	17.2	17.1	17.2	19.5	19.5	19.5	19.6	17.2	17.2	17.1	17.2	19.5	19.5	19.5	19.6									
	1600	MBh	48.0	48.7	50.0	52.2	47.6	48.3	49.6	51.7	46.4	47.0	48.4	50.5	44.3	45.0	46.3	48.5	41.8	42.4	43.8	45.9	39.4	40.1	41.5	43.6	41.8	42.4	43.8	45.9	39.4	40.1	41.5	43.6									
		S/T	0.91	0.84	0.71	0.6	0.92	0.85	0.72	0.6	1.00	0.87	0.74	0.6	1.00	0.89	0.76	0.6	1.00	0.91	0.78	0.6	1.00	0.96	0.83	0.7	1.00	0.91	0.78	0.6	1.00	0.96	0.83	0.7									
		ΔT	28	26	22	18	28	26	22	18	28	26	22	18	28	26	22	18	27	25	22	18	29	27	23	19	27	25	22	18	29	27	23	19									
		kW	2.85	2.85	2.85	2.87	3.18	3.18	3.17	3.20	3.55	3.54	3.54	3.56	3.94	3.94	3.93	3.96	4.38	4.38	4.38	4.40	4.90	4.90	4.90	4.92	4.38	4.38	4.38	4.40	4.90	4.90	4.90	4.92									
		Amps	10.2	10.2	10.2	10.3	11.7	11.7	11.7	11.8	13.4	13.4	13.4	13.5	15.2	15.2	15.2	15.3	17.2	17.2	17.2	17.3	19.6	19.6	19.6	19.7	17.2	17.2	17.2	17.3	19.6	19.6	19.6	19.7									
1800	MBh	49.1	49.7	51.1	53.2	48.6	49.3	50.7	52.8	47.4	48.1	49.5	51.6	45.4	46.0	47.4	49.5	42.8	43.5	44.8	47.0	40.5	41.1	42.5	44.6	42.8	43.5	44.8	47.0	40.5	41.1	42.5	44.6										
	S/T	0.92	0.85	0.72	0.6	1.00	0.85	0.72	0.6	1.00	0.88	0.75	0.6	1.00	0.90	0.77	0.6	1.00	0.92	0.79	0.7	1.00	1.00	0.84	0.7	1.00	0.92	0.79	0.7	1.00	1.00	0.84	0.7										
	ΔT	27	25	21	17	27	25	21	17	27	25	21	17	27	25	21	17	26	24	21	17	28	26	22	18	26	24	21	17	28	26	22	18										
	kW	2.87	2.87	2.86	2.9	3.20	3.19	3.19	3.2	3.56	3.56	3.55	3.6	3.96	3.95	3.95	4.0	4.40	4.40	4.39	4.4	4.92	4.91	4.91	4.9	4.40	4.40	4.39	4.4	4.92	4.91	4.91	4.9										
	Amps	10.3	10.3	10.3	10.4	11.8	11.8	11.8	11.9	13.5	13.5	13.4	13.6	15.3	15.3	15.2	15.4	17.3	17.3	17.3	17.4	19.7	19.7	19.7	19.8	17.3	17.3	17.3	17.4	19.7	19.7	19.7	19.8										
85	1400	MBh	47.9	48.6	50.0	52.1	47.5	48.2	49.6	51.7	46.3	47.0	48.4	50.5	44.2	44.9	46.3	48.4	41.7	42.4	43.7	45.9	39.4	40.0	41.4	43.5	41.7	42.4	43.7	45.9	39.4	40.0	41.4	43.5									
		S/T	1.00	0.90	0.77	0.6	1.00	0.91	0.78	0.6	1.00	0.93	0.80	0.7	1.00	0.95	0.82	0.7	1.00	1.00	0.84	0.7	1.00	1.00	0.89	0.8	1.00	1.00	0.84	0.7	1.00	1.00	0.89	0.8									
		ΔT	33	31	27	23	33	31	27	23	33	31	27	23	33	31	27	23	32	30	27	23	34	32	28	24	32	30	27	23	34	32	28	24									
		kW	2.84	2.84	2.84	2.9	3.17	3.17	3.16	3.2	3.54	3.53	3.53	3.6	3.93	3.93	3.92	3.9	4.37	4.37	4.37	4.4	4.89	4.89	4.89	4.9	4.37	4.37	4.37	4.4	4.89	4.89	4.89	4.9									
		Amps	10.2	10.2	10.2	10.3	11.7	11.7	11.7	11.8	13.4	13.4	13.3	13.4	15.2	15.2	15.1	15.3	17.2	17.2	17.2	17.3	19.6	19.6	19.6	19.6	17.2	17.2	17.2	17.3	19.6	19.6	19.6	19.6									
	1600	MBh	48.8	49.4	50.8	52.9	48.4	49.0	50.4	52.5	47.2	47.8	49.2	51.3	45.1	45.7	47.1	49.2	42.5	43.2	44.6	46.7	40.2	40.9	42.3	44.4	42.5	43.2	44.6	46.7	40.2	40.9	42.3	44.4									
		S/T	1.00	0.94	0.81	0.7	1.00	0.94	0.81	0.7	1.00	0.97	0.84	0.7	1.00	0.98	0.86	0.7	1.00	1.00	0.88	0.7	1.00	1.00	0.93	0.8	1.00	1.00	0.88	0.7	1.00	1.00	0.93	0.8									
		ΔT	32	30	26	22	31	30	26	22	32	30	26	22	31	29	26	22	31	29	26	22	32	30	27	23	31	29	26	22	32	30	27	23									
		kW	2.86	2.86	2.85	2.88	3.19	3.19	3.18	3.20	3.55	3.55	3.55	3.57	3.95	3.95	3.94	3.97	4.39	4.39	4.38	4.41	4.91	4.91	4.91	4.93	4.39	4.39	4.38	4.41	4.91	4.91	4.91	4.93									
		Amps	10.3	10.3	10.2	10.3	11.8	11.8	11.7	11.8	13.4	13.4	13.4	13.5	15.2	15.2	15.2	15.3	17.3	17.3	17.2	17.3	19.6	19.6	19.6	19.7	17.3	17.3	17.2	17.3	19.6	19.6	19.6	19.7									
1800	MBh	49.8	50.5	51.9	54.0	49.4	50.1	51.5	53.6	48.2	48.9	50.2	52.4	46.1	46.8	48.2	50.3	43.6	44.2	45.6	47.7	41.3	41.9	43.3	45.4	43.6	44.2	45.6	47.7	41.3	41.9	43.3	45.4										
	S/T	1.00	0.94	0.81	0.7	1.00	0.95	0.82	0.7	1.00	0.97	0.84	0.7	1.00	1.00	0.86	0.7	1.00	1.00	0.88	0.7	1.00	1.00	0.93	0.8	1.00	1.00	0.88	0.7	1.00	1.00	0.93	0.8										
	ΔT	31	29	25	21	30	29	25	21	31	29	25	21	30	28	25	21	30	28	25	21	31	29	26	22	30	28	25	21	31	29	26	22										
	kW	2.87	2.87	2.87	2.9	3.20	3.20	3.19	3.2	3.57	3.56	3.56	3.6	3.96	3.96	3.95	4.0	4.41	4.40	4.40	4.4	4.92	4.92	4.92	4.9	4.41	4.40	4.40	4.4	4.92	4.92	4.92	4.9										
	Amps	10.3	10.3	10.3	10.4	11.8	11.8	11.8	11.9	13.5	13.5	13.5	13.6	15.3	15.3	15.3	15.4	17.3	17.3	17.3	17.4	19.7	19.7	19.7	19.8	17.3	17.3	17.3	17.4	19.7	19.7	19.7	19.8										

kW = Total system power
Amps = outdoor unit amps (comp.+fan)

Shaded area reflects AHRI conditions

IDB: Entering Indoor Dry Bulb Temperature
High and low pressures are measured at the liquid and suction service valves.

EXPANDED COOLING DATA — GLXS4BA6010A*+ CAPTA6030A*

IDB		OUTDOOR AMBIENT TEMPERATURE																								
		65				75				85				95				105				115				
		AIRFLOW	59	63	67	71	59	63	67	71	59	63	67	71	59	63	67	71	59	63	67	71	59	63	67	71
70	1500	MBh	58.8	59.6	61.3	-	58.2	59.1	60.8	-	56.7	57.5	59.3	-	54.1	54.9	56.7	-	50.9	51.7	53.5	-	48.0	48.8	50.6	-
		S/T	0.60	0.53	0.41	-	0.61	0.54	0.41	-	0.63	0.56	0.44	-	0.65	0.58	0.46	-	0.67	0.60	0.48	-	0.71	0.64	0.52	-
		ΔT	22	20	16	-	22	20	16	-	22	20	16	-	22	20	16	-	22	19	15	-	23	21	17	-
		kW	3.66	3.65	3.65	-	4.10	4.10	4.09	-	4.60	4.60	4.59	-	5.14	5.14	5.13	-	5.74	5.74	5.73	-	6.45	6.45	6.44	-
		Amps	13.7	13.7	13.7	-	15.8	15.7	15.7	-	18.0	18.0	18.0	-	20.5	20.5	20.4	-	23.3	23.2	23.2	-	26.5	26.5	26.4	-
2000		MBh	61.6	62.4	64.2	-	61.1	61.9	63.6	-	59.6	60.4	62.1	-	57.0	57.8	59.5	-	53.8	54.6	56.3	-	50.9	51.7	53.4	-
		S/T	0.64	0.57	0.45	-	0.64	0.57	0.45	-	0.67	0.60	0.47	-	0.68	0.61	0.49	-	0.70	0.63	0.51	-	0.75	0.68	0.56	-
		ΔT	19	17	13	-	19	17	13	-	19	17	13	-	19	17	13	-	19	17	13	-	20	18	14	-
		kW	3.70	3.70	3.69	-	4.15	4.15	4.14	-	4.65	4.65	4.64	-	5.19	5.18	5.18	-	5.79	5.79	5.78	-	6.50	6.49	6.49	-
		Amps	13.9	13.9	13.9	-	16.0	16.0	15.9	-	18.2	18.2	18.2	-	20.7	20.7	20.7	-	23.5	23.5	23.4	-	26.7	26.7	26.7	-
2250		MBh	63.6	64.4	66.2	-	63.1	63.9	65.7	-	61.6	62.4	64.1	-	59.0	59.8	61.5	-	55.8	56.6	58.4	-	52.9	53.7	55.4	-
		S/T	0.61	0.54	0.41	-	0.61	0.54	0.42	-	0.63	0.57	0.44	-	0.65	0.58	0.46	-	0.67	0.60	0.48	-	0.72	0.65	0.53	-
		ΔT	18	16	12	-	18	16	12	-	18	16	12	-	18	16	12	-	18	16	12	-	19	17	13	-
		kW	3.72	3.72	3.71	-	4.17	4.17	4.16	-	4.67	4.67	4.66	-	5.21	5.21	5.20	-	5.81	5.81	5.80	-	6.52	6.52	6.51	-
		Amps	14.0	14.0	14.0	-	16.1	16.0	16.0	-	18.3	18.3	18.3	-	20.8	20.8	20.8	-	23.6	23.6	23.5	-	26.8	26.8	26.8	-

IDB		OUTDOOR AMBIENT TEMPERATURE																								
		65				75				85				95				105				115				
		AIRFLOW	59	63	67	71	59	63	67	71	59	63	67	71	59	63	67	71	59	63	67	71	59	63	67	71
75	1500	MBh	58.8	59.6	61.3	64.0	58.3	59.1	60.8	63.5	56.8	57.6	59.3	62.0	54.1	55.0	56.7	59.3	51.0	51.8	53.5	56.2	48.1	48.9	50.6	53.3
		S/T	0.72	0.65	0.53	0.4	0.72	0.65	0.53	0.4	0.74	0.68	0.55	0.4	0.76	0.69	0.57	0.4	0.78	0.71	0.59	0.5	0.83	0.76	0.64	0.5
		ΔT	27	24	20	16	27	24	20	16	27	25	21	17	27	24	20	16	26	24	20	16	28	25	21	17
		kW	3.65	3.65	3.64	3.7	4.10	4.10	4.09	4.1	4.60	4.60	4.59	4.6	5.14	5.13	5.13	5.2	5.74	5.74	5.73	5.8	6.45	6.44	6.44	6.5
		Amps	13.7	13.7	13.6	13.8	15.7	15.7	15.7	15.8	18.0	18.0	18.0	18.1	20.5	20.5	20.4	20.6	23.2	23.2	23.2	23.4	26.5	26.5	26.4	26.6
2000		MBh	61.6	62.5	64.2	66.8	61.1	61.9	63.7	66.3	59.6	60.4	62.2	64.8	57.0	57.8	59.6	62.2	53.8	54.6	56.4	59.0	50.9	51.7	53.5	56.1
		S/T	0.75	0.68	0.56	0.4	0.76	0.69	0.57	0.4	0.78	0.71	0.59	0.5	0.80	0.73	0.61	0.5	0.82	0.75	0.63	0.5	1.00	0.80	0.67	0.5
		ΔT	24	22	18	14	24	22	18	14	24	22	18	14	24	22	18	14	24	21	17	13	25	23	19	15
		kW	3.70	3.70	3.69	3.72	4.15	4.14	4.14	4.17	4.65	4.64	4.64	4.67	5.19	5.18	5.17	5.21	5.79	5.78	5.78	5.81	6.50	6.49	6.48	6.52
		Amps	13.9	13.9	13.9	14.0	16.0	15.9	15.9	16.1	18.2	18.2	18.2	18.3	20.7	20.7	20.7	20.8	23.5	23.4	23.4	23.6	26.7	26.7	26.6	26.8
2250		MBh	63.7	64.5	66.2	68.9	63.1	64.0	65.7	68.3	61.6	62.4	64.2	66.8	59.0	59.8	61.6	64.2	55.8	56.7	58.4	61.0	52.9	53.8	55.5	58.1
		S/T	0.72	0.65	0.53	0.4	0.73	0.66	0.54	0.4	0.75	0.68	0.56	0.4	0.77	0.70	0.58	0.4	1.00	0.72	0.60	0.5	1.00	0.77	0.64	0.5
		ΔT	23	21	17	12	23	21	17	12	23	21	17	13	23	21	17	12	22	20	16	12	24	22	18	13
		kW	3.72	3.72	3.71	3.7	4.17	4.16	4.16	4.2	4.67	4.66	4.66	4.7	5.21	5.20	5.19	5.2	5.81	5.81	5.80	5.8	6.52	6.51	6.50	6.5
		Amps	14.0	14.0	14.0	14.1	16.0	16.0	16.0	16.2	18.3	18.3	18.3	18.4	20.8	20.8	20.7	20.9	23.6	23.5	23.5	23.7	26.8	26.8	26.8	26.9

IDB: Entering Indoor Dry Bulb Temperature
 High and low pressures are measured at the liquid and suction service valves.
 Shaded area reflects ACCA (TVA) conditions
 kW = Total system power
 Amps = outdoor unit amps (comp.+fan)

EXPANDED COOLING DATA — GLXS4BA6010A*+ CAPTA6030A* (CONT.)

IDB	AIRFLOW	OUTDOOR AMBIENT TEMPERATURE																							
		65				75				85				95				105				115			
		59	63	67	71	59	63	67	71	59	63	67	71	59	63	67	71	59	63	67	71	59	63	67	71
80	MBh	59.1	59.9	61.6	64.3	58.6	59.4	61.1	63.8	57.1	57.9	59.6	62.3	54.4	55.3	57.0	59.6	51.3	52.1	53.8	56.5	48.4	49.2	50.9	53.6
	S/T	0.83	0.76	0.64	0.5	0.84	0.77	0.64	0.5	0.86	0.79	0.67	0.5	1.00	0.81	0.68	0.6	1.00	0.83	0.70	0.6	1.00	0.87	0.75	0.6
	ΔT	31	29	25	21	31	29	25	21	32	29	25	21	31	29	25	21	31	29	25	21	32	30	26	22
	kW	3.66	3.65	3.65	3.7	4.10	4.10	4.09	4.1	4.60	4.60	4.59	4.6	5.14	5.14	5.13	5.2	5.74	5.74	5.73	5.8	6.45	6.45	6.44	6.5
	Amps	13.7	13.7	13.7	13.8	15.7	15.7	15.7	15.9	18.0	18.0	18.0	18.1	20.5	20.5	20.4	20.6	23.3	23.2	23.2	23.4	26.5	26.5	26.4	26.6
	MBh	61.9	62.8	64.5	67.1	61.4	62.2	64.0	66.6	59.9	60.7	62.5	65.1	57.3	58.1	59.9	62.5	54.1	54.9	56.7	59.3	51.2	52.0	53.8	56.4
	S/T	0.87	0.80	0.68	0.5	0.87	0.80	0.68	0.6	1.00	0.83	0.70	0.6	1.00	0.84	0.72	0.6	1.00	0.86	0.74	0.6	1.00	0.91	0.79	0.7
	ΔT	29	27	23	18	29	27	23	18	29	27	23	19	29	26	22	18	28	26	22	18	30	28	24	19
	kW	3.70	3.70	3.69	3.73	4.15	4.15	4.14	4.17	4.65	4.65	4.64	4.67	5.19	5.18	5.18	5.21	5.79	5.79	5.78	5.81	6.50	6.49	6.49	6.52
	Amps	13.9	13.9	13.9	14.0	16.0	15.9	15.9	16.1	18.2	18.2	18.2	18.4	20.7	20.7	20.7	20.8	23.5	23.5	23.4	23.6	26.7	26.7	26.7	26.8
	MBh	64.0	64.8	66.5	69.2	63.4	64.3	66.0	68.6	61.9	62.7	64.5	67.1	59.3	60.1	61.9	64.5	56.1	57.0	58.7	61.3	53.2	54.1	55.8	58.4
	S/T	0.83	0.77	0.64	0.5	0.84	0.77	0.65	0.5	1.00	0.79	0.67	0.5	1.00	0.81	0.69	0.6	1.00	0.83	0.71	0.6	1.00	0.88	0.76	0.6
ΔT	28	25	21	17	27	25	21	17	28	26	22	17	27	25	21	17	27	25	21	17	29	26	22	18	
kW	3.72	3.72	3.71	3.7	4.17	4.17	4.16	4.2	4.67	4.67	4.66	4.7	5.21	5.20	5.20	5.2	5.81	5.81	5.80	5.8	6.52	6.51	6.51	6.5	
Amps	14.0	14.0	14.0	14.1	16.1	16.0	16.0	16.2	18.3	18.3	18.3	18.4	20.8	20.8	20.8	20.9	23.6	23.5	23.5	23.7	26.8	26.8	26.7	26.9	

IDB	AIRFLOW	OUTDOOR AMBIENT TEMPERATURE																							
		65				75				85				95				105				115			
		59	63	67	71	59	63	67	71	59	63	67	71	59	63	67	71	59	63	67	71	59	63	67	71
85	MBh	60.1	60.9	62.6	65.3	59.5	60.4	62.1	64.7	58.0	58.8	60.6	63.2	55.4	56.2	58.0	60.6	52.2	53.1	54.8	57.4	49.3	50.2	51.9	54.5
	S/T	0.92	0.85	0.73	0.6	1.00	0.86	0.74	0.6	1.00	0.88	0.76	0.6	1.00	0.90	0.78	0.6	1.00	0.92	0.80	0.7	1.00	1.00	0.84	0.7
	ΔT	36	33	29	25	36	33	29	25	36	34	30	26	36	33	29	25	35	33	29	25	37	34	30	26
	kW	3.66	3.66	3.65	3.7	4.11	4.11	4.10	4.1	4.61	4.61	4.60	4.6	5.15	5.15	5.14	5.2	5.75	5.75	5.74	5.8	6.46	6.46	6.45	6.5
	Amps	13.7	13.7	13.7	13.8	15.8	15.8	15.7	15.9	18.1	18.1	18.0	18.2	20.5	20.5	20.5	20.6	23.3	23.3	23.2	23.4	26.5	26.5	26.5	26.6
	MBh	62.9	63.7	65.5	68.1	62.4	63.2	65.0	67.6	60.9	61.7	63.4	66.1	58.3	59.1	60.8	63.5	55.1	55.9	57.7	60.3	52.2	53.0	54.7	57.4
	S/T	1.00	0.89	0.77	0.6	1.00	0.89	0.77	0.6	1.00	0.92	0.80	0.7	1.00	0.93	0.81	0.7	1.00	0.95	0.83	0.7	1.00	1.00	0.88	0.8
	ΔT	33	31	27	23	33	31	27	23	33	31	27	23	33	31	27	23	33	30	26	22	34	32	28	24
	kW	3.71	3.71	3.70	3.74	4.16	4.16	4.15	4.18	4.66	4.65	4.65	4.68	5.20	5.19	5.19	5.22	5.80	5.80	5.79	5.82	6.51	6.50	6.50	6.53
	Amps	14.0	13.9	13.9	14.1	16.0	16.0	16.0	16.1	18.3	18.3	18.2	18.4	20.8	20.7	20.7	20.9	23.5	23.5	23.5	23.6	26.7	26.7	26.7	26.9
	MBh	64.9	65.8	67.5	70.1	64.4	65.2	67.0	69.6	62.9	63.7	65.5	68.1	60.3	61.1	62.9	65.5	57.1	57.9	59.7	62.3	54.2	55.0	56.8	59.4
	S/T	1.00	0.86	0.74	0.6	1.00	0.86	0.74	0.6	1.00	0.89	0.76	0.6	1.00	0.90	0.78	0.7	1.00	1.00	0.80	0.7	1.00	1.00	0.85	0.7
ΔT	32	30	26	21	32	30	26	21	32	30	26	22	32	30	26	21	31	29	25	21	33	31	27	22	
kW	3.73	3.73	3.72	3.8	4.18	4.18	4.17	4.2	4.68	4.67	4.67	4.7	5.22	5.21	5.21	5.2	5.82	5.82	5.81	5.8	6.53	6.52	6.52	6.5	
Amps	14.1	14.0	14.0	14.2	16.1	16.1	16.0	16.2	18.4	18.4	18.3	18.5	20.8	20.8	20.8	21.0	23.6	23.6	23.6	23.7	26.8	26.8	26.8	26.9	

IDB: Entering Indoor Dry Bulb Temperature
 High and low pressures are measured at the liquid and suction service valves.
 Shaded area reflects AHRI conditions
 kW = Total system power
 Amps = outdoor unit amps (comp.+fan)

PERFORMANCE DATA

GLXS4BA1810*/CAPTA2422*				
CONDITIONS: 80 °F IBD, 67 °F IWB @ 625 CFM				
OUTDOOR TEM. ° F.	TOTAL BTU/H	SENSIBLE BTU/H	LATENT BTU/H	TOTAL WATTS
75	18,870	12,260	6,610	1,240
80	18,635	12,320	6,315	1,305
85	18,400	12,380	6,020	1,370
90	18,000	12,265	5,735	1,440
95	17,600	12,150	5,450	1,510
100	17,110	11,975	5,135	1,590
105	16,620	11,800	4,820	1,670
110	16,170	11,850	4,320	1,765
115	15,720	11,900	3,820	1,860
TVA CONDITIONS @ 95° OD DB, 75° ID DB 63° ID WB				
95°	16,970	11,870	5,100	1,520

GLXS4BA2410*/CAPTA2422*				
CONDITIONS: 80 °F IBD, 67 °F IWB @ 700 CFM				
OUTDOOR TEM. ° F.	TOTAL BTU/H	SENSIBLE BTU/H	LATENT BTU/H	TOTAL WATTS
75	25,310	17,160	8,150	1,640
80	24,995	17,240	7,755	1,735
85	24,680	17,320	7,360	1,830
90	24,140	17,160	6,980	1,930
95	23,600	17,000	6,600	2,030
100	22,940	16,760	6,180	2,145
105	22,280	16,520	5,760	2,260
110	21,680	16,585	5,095	2,395
115	21,080	16,650	4,430	2,530
TVA CONDITIONS @ 95° OD DB, 75° ID DB 63° ID WB				
95°	22,760	16,610	6,150	2,030

GLXS4BA3010*/CAPTA3026*				
CONDITIONS: 80 °F IBD, 67 °F IWB @ 950 CFM				
OUTDOOR TEM. ° F.	TOTAL BTU/H	SENSIBLE BTU/H	LATENT BTU/H	TOTAL WATTS
75	30,670	21,430	9,240	2,000
80	30,290	21,530	8,760	2,110
85	29,910	21,630	8,280	2,220
90	29,255	21,430	7,825	2,340
95	28,600	21,230	7,370	2,460
100	27,800	20,930	6,870	2,595
105	27,000	20,630	6,370	2,730
110	26,270	20,715	5,555	2,890
115	25,540	20,800	4,740	3,050
TVA CONDITIONS @ 95° OD DB, 75° ID DB 63° ID WB				
95°	27,580	20,750	6,830	2,460

GLXS4BA3610*/CAPTA3626*				
CONDITIONS: 80 °F IBD, 67 °F IWB @ 1138 CFM				
OUTDOOR TEM. ° F.	TOTAL BTU/H	SENSIBLE BTU/H	LATENT BTU/H	TOTAL WATTS
75	36,670	26,080	10,590	2,380
80	36,215	26,205	10,010	2,515
85	35,760	26,330	9,430	2,650
90	34,980	26,085	8,895	2,795
95	34,200	25,840	8,360	2,940
100	33,245	25,475	7,770	3,105
105	32,290	25,110	7,180	3,270
110	31,420	25,215	6,205	3,460
115	30,550	25,320	5,230	3,650
TVA CONDITIONS @ 95° OD DB, 75° ID DB 63° ID WB				
95°	32,980	25,250	7,730	2,950

GLXS4BA4210*/CAPTA4230*				
CONDITIONS: 80 °F IBD, 67 °F IWB @ 1435 CFM				
OUTDOOR TEM. ° F.	TOTAL BTU/H	SENSIBLE BTU/H	LATENT BTU/H	TOTAL WATTS
75	42,890	31,170	11,720	2,800
80	42,360	31,315	11,045	2,955
85	41,830	31,460	10,370	3,110
90	40,915	31,170	9,745	3,275
95	40,000	30,880	9,120	3,440
100	38,885	30,440	8,445	3,630
105	37,770	30,000	7,770	3,820
110	36,750	30,125	6,625	4,040
115	35,730	30,250	5,480	4,260
TVA CONDITIONS @ 95° OD DB, 75° ID DB 63° ID WB				
95°	38,570	30,180	8,390	3,450

GLXS4BA4810*/CAPT6030*				
CONDITIONS: 80 °F IBD, 67 °F IWB @ 1400 CFM				
OUTDOOR TEM. ° F.	TOTAL BTU/H	SENSIBLE BTU/H	LATENT BTU/H	TOTAL WATTS
75	48,790	33,230	15,560	3,160
80	48,185	33,385	14,800	3,340
85	47,580	33,540	14,040	3,520
90	46,540	33,230	13,310	3,720
95	45,500	32,920	12,580	3,920
100	44,230	32,455	11,775	4,140
105	42,960	31,990	10,970	4,360
110	41,800	32,120	9,680	4,620
115	40,640	32,250	8,390	4,880
TVA CONDITIONS @ 95° OD DB, 75° ID DB 63° ID WB				
95°	43,880	32,170	11,710	3,920

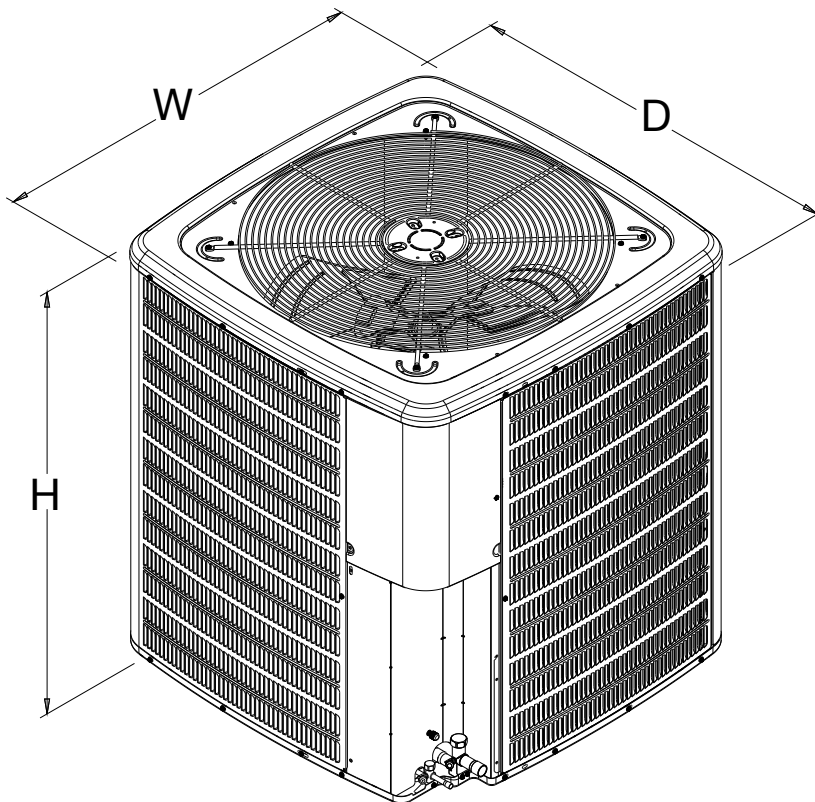
GLXS4BA6010*/CAPTA6030*				
CONDITIONS: 80 °F IBD, 67 °F IWB @ 1500 CFM				
OUTDOOR TEM. ° F.	TOTAL BTU/H	SENSIBLE BTU/H	LATENT BTU/H	TOTAL WATTS
75	61,120	39,380	21,740	4,090
80	60,360	39,565	20,795	4,340
85	59,600	39,750	19,850	4,590
90	58,300	39,380	18,920	4,860
95	57,000	39,010	17,990	5,130
100	55,410	38,460	16,950	5,430
105	53,820	37,910	15,910	5,730
110	52,365	38,065	14,300	6,085
115	50,910	38,220	12,690	6,440
TVA Conditions @ 95° OD DB, 75° ID DB 63° ID WB				
95°	54,970	38,130	16,840	5,130

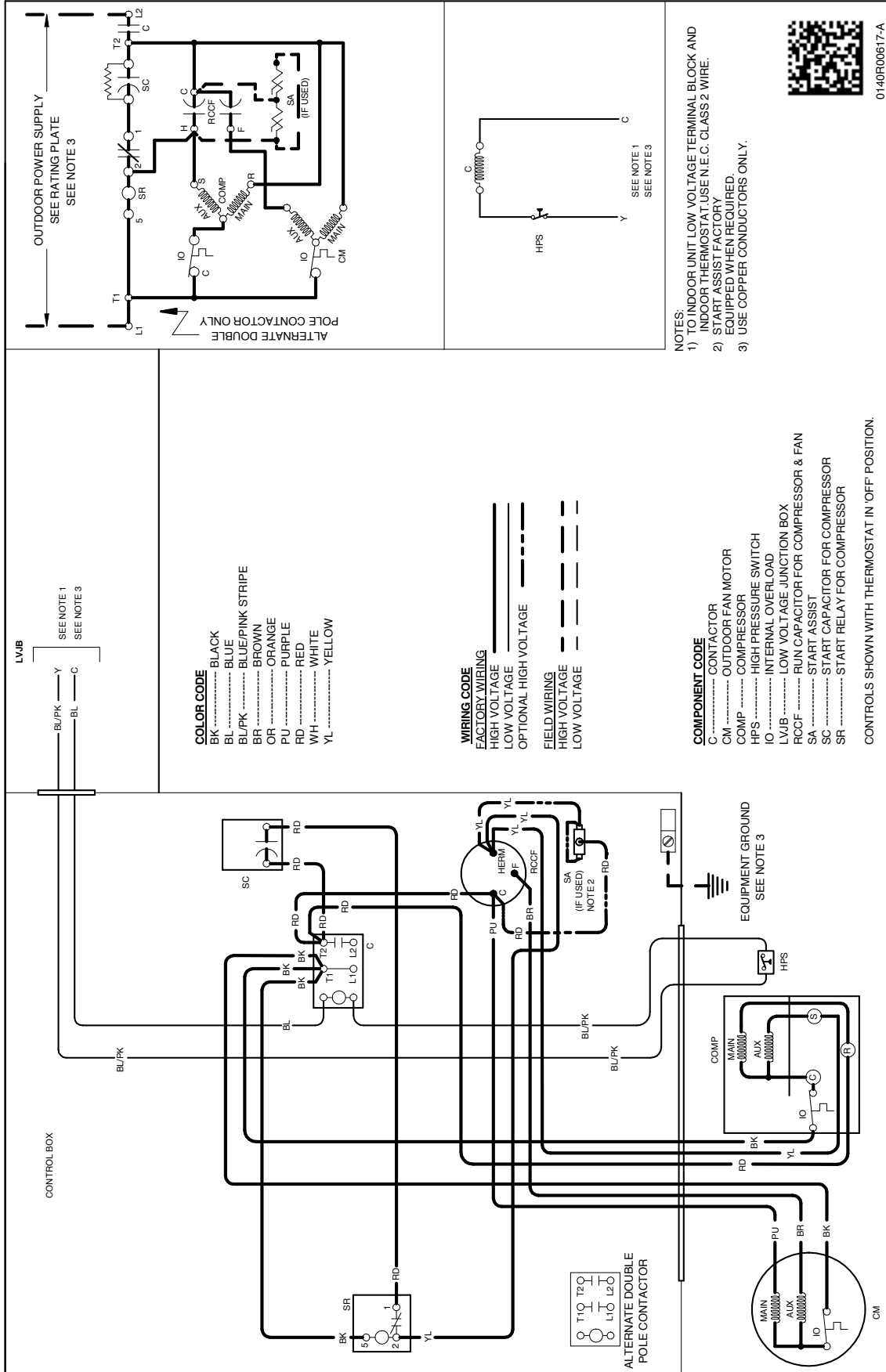
NOTE: no factory installed crankcase heater

DIMENSIONS

MODEL	DIMENSIONS		
	W"	D"	H"
GLXS4BA1810A*	26	26	27
GLXS4BA2410A*	26	26	27
GLXS4BA3010A*	29	29	32
GLXS4BA3610A*	29	29	39½
GLXS4BA4210A*	35½	35½	35¾
GLXS4BA4810A*	35½	35½	35¾
GLXS4BA6010A*	35½	35½	39¾

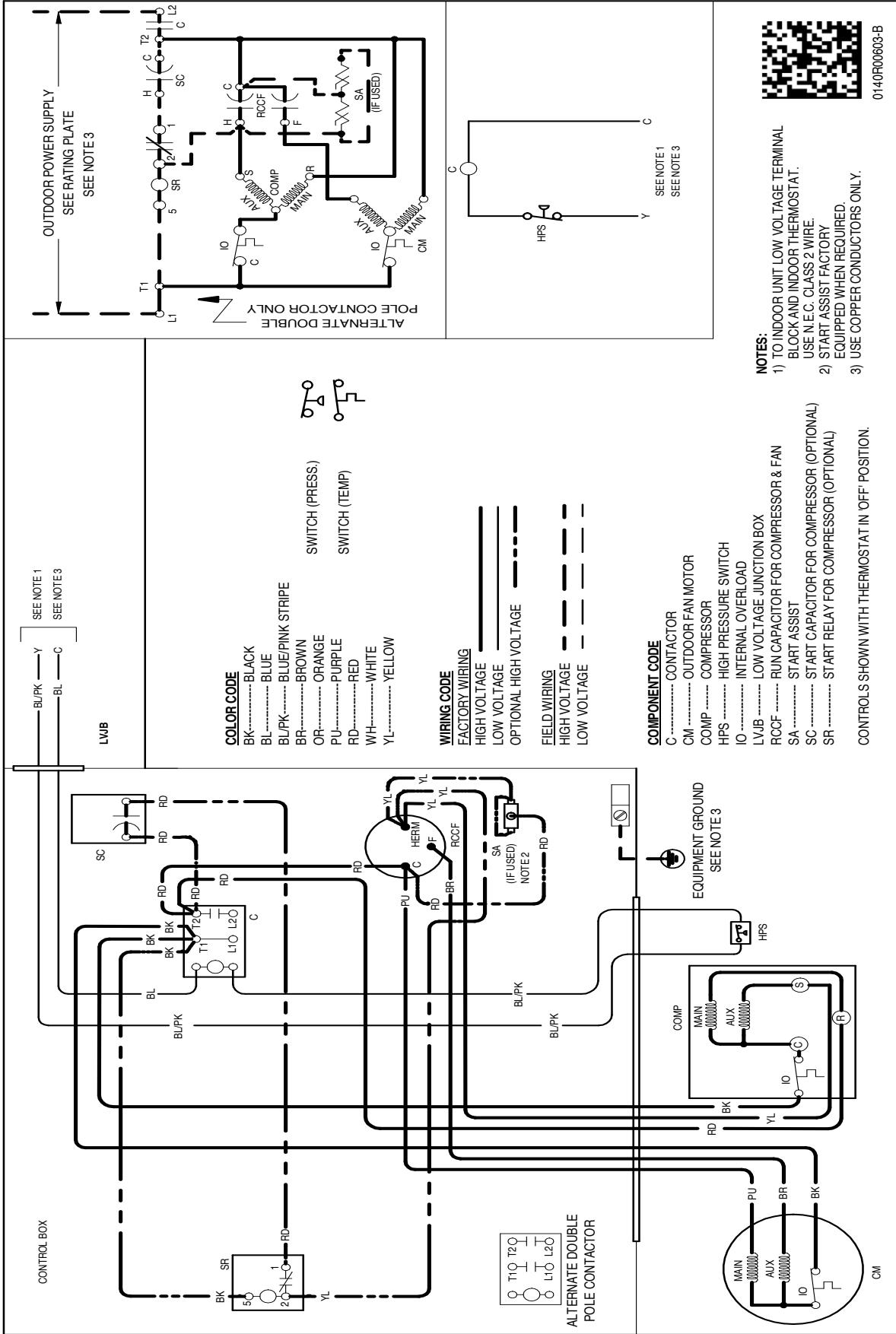
*Note: All the Dimensions (W, D, H) are for reference only.





WARNING

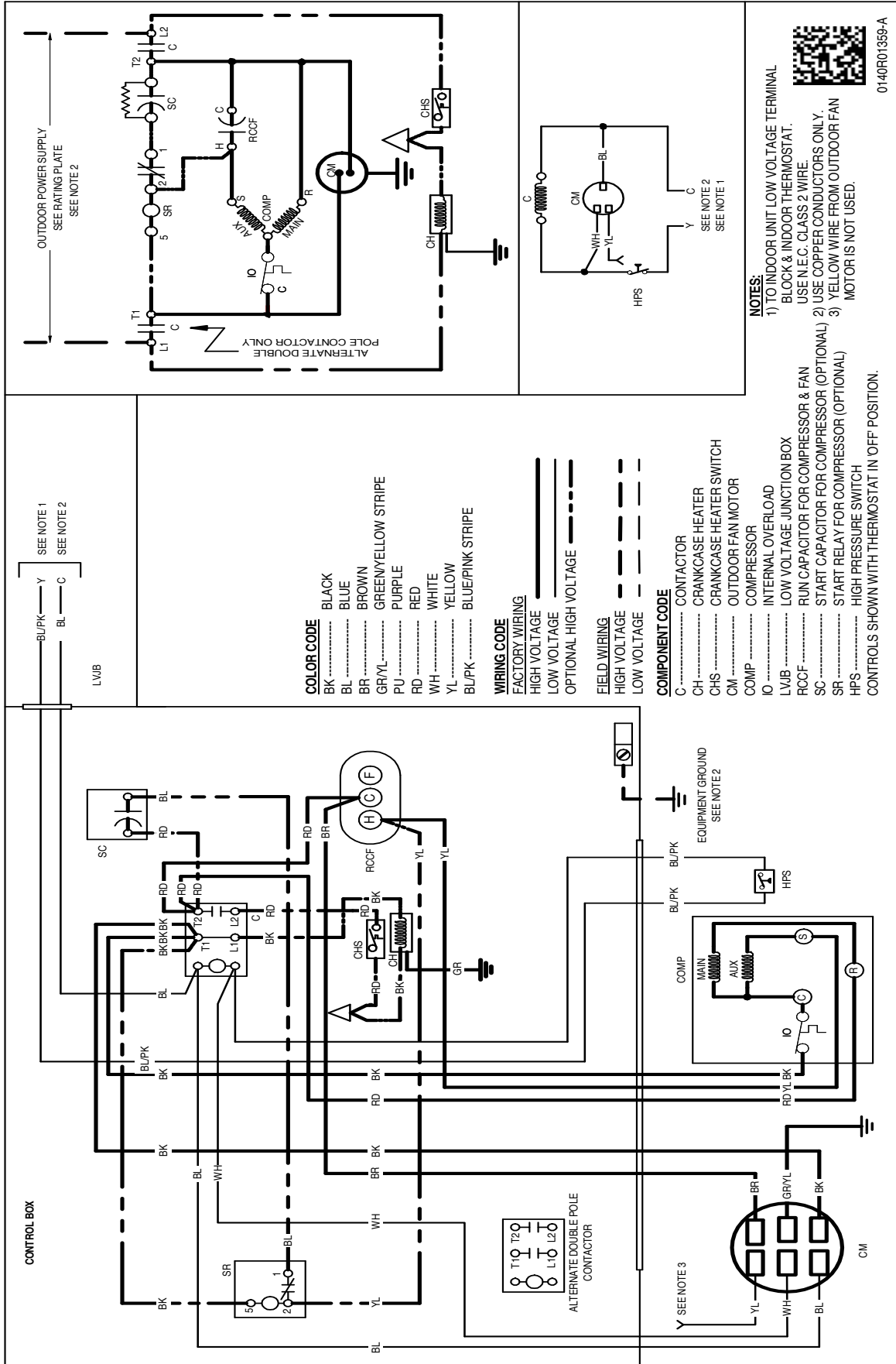
High Voltage: Disconnect all power before servicing or installing this unit. Multiple power sources may be present. Failure to do so may cause property damage, personal injury, or death.



WARNING

High Voltage: Disconnect all power before servicing or installing this unit. Multiple power sources may be present. Failure to do so may cause property damage, personal injury, or death.

Wiring is subject to change. Always refer to the wiring diagram or the unit for the most up-to-date wiring.



WARNING

High Voltage: Disconnect all power before servicing or installing this unit. Multiple power sources may be present. Failure to do so may cause property damage, personal injury, or death.

MODEL	DESCRIPTION	GLXS4B A1810A*	GLXS4B A2410A*	GLXS4B A3010A*	GLXS4B A3610A*	GLXS4B A4210A*	GLXS4B A4810A*	GLXS4B A6010A*
0161R00128	Neutral Circular Cap	X	X	X	X	X	X	X
ABK-20	Anchor Bracket Kit ^	X	X	X	X	X	X	X
ASC01A	Anti-Short Cycle Kit	X	X	X	X	X	X	X
Factory Installed Hard-start Kit		X	X	X				
CSR-U-1	Hard-start Kit				X			
CSR-U-2	Hard-start Kit					X	X	X
CSR-U-3	Hard-start Kit						X	X
FSK01A ¹	Freeze Protection Kit	X	X	X	X	X	X	X
LSK02A ²	Liquid Line Solenoid Kit	X	X	X	X	X	X	X
LAKT01	Low-Ambient Kit	X	X	X	X	X	X	
0130R00000S	Low-Pressure Switch Kit	X	X	X	X	X	X	X

^ Contains 20 brackets; four brackets needed to anchor unit to pad

¹ Installed on indoor coil

² Condensing units and heat pumps with reciprocating or rotary compressors require the use of start-assist components when used in conjunction with an indoor coil using a non-bleed thermal expansion valve refrigerant metering device or liquid line solenoid kit. The TXV should always be sized based on the tonnage of the outdoor unit.

All AHRI system ratings are accessible in the System Configurator tool via PartnerLink.

Our continuing commitment to quality products may mean a change in specifications without notice.

©2024 **DAIKIN COMFORT TECHNOLOGIES MANUFACTURING, L.P.** • Houston, Texas • Printed in the USA.

AMST SERIES

MULTI-POSITION, MULTI-SPEED, ECM-BASED AIR HANDLER WITH INTERNAL TXV 1½ TO 5 TONS



Contents

Air Handler Nomenclature.....	2
Heater Kit Nomenclature	2
Product Specifications.....	3
Dimensions	4
Airflow Data.....	5
Heat Kit Data.....	7
Wiring Diagram.....	9
Accessories	12

R32

Product Features

- Internal factory-installed thermal expansion valves for cooling and heat pump applications
- Direct drive, multi-speed ECM blower motor
- All-aluminum evaporator coil
- Coil mounting track for quick repositioning
- Optimized for use with R-32 refrigerant
- Cabinet air leakage less than 2.0% at 1.0 inch H₂O when tested in accordance with ASHRAE standard 193
- Cabinet air leakage less than 1.4% at 0.5 inch H₂O when tested in accordance with ASHRAE standard 193
- AHRI certified; ETL listed
- UL 60335 2-40 Compliant
- Rigid SmartFrame™ cabinet
- Horizontal or vertical configuration capabilities
- 21" depth for easier attic access
- DecaBDE-free thermoplastic drain pan with secondary drain connections
- Screw-less sides and back helps to reduce condensation when installed in humid locations
- Foil-faced insulation covers the internal casing to reduce cabinet condensation
- Galvanized, leather grain-embossed finish
- Glue-less cabinet insulation retention
- Tool-less filter access
- Field Installed 3 kW – 25 kW electric heater kits available

10 YEAR LIMITED PARTS WARRANTY

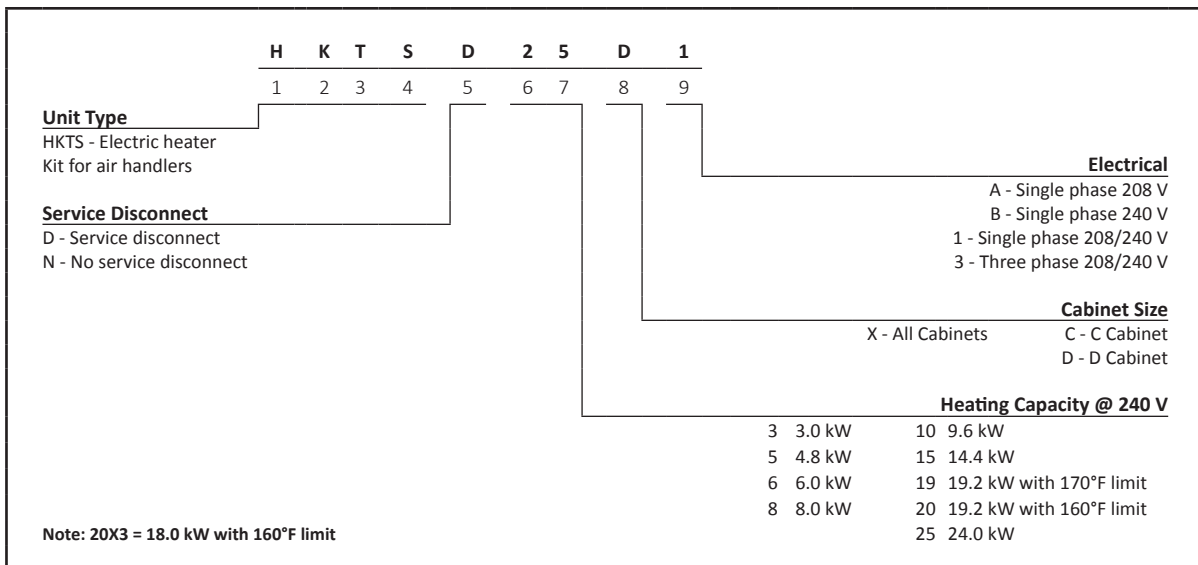
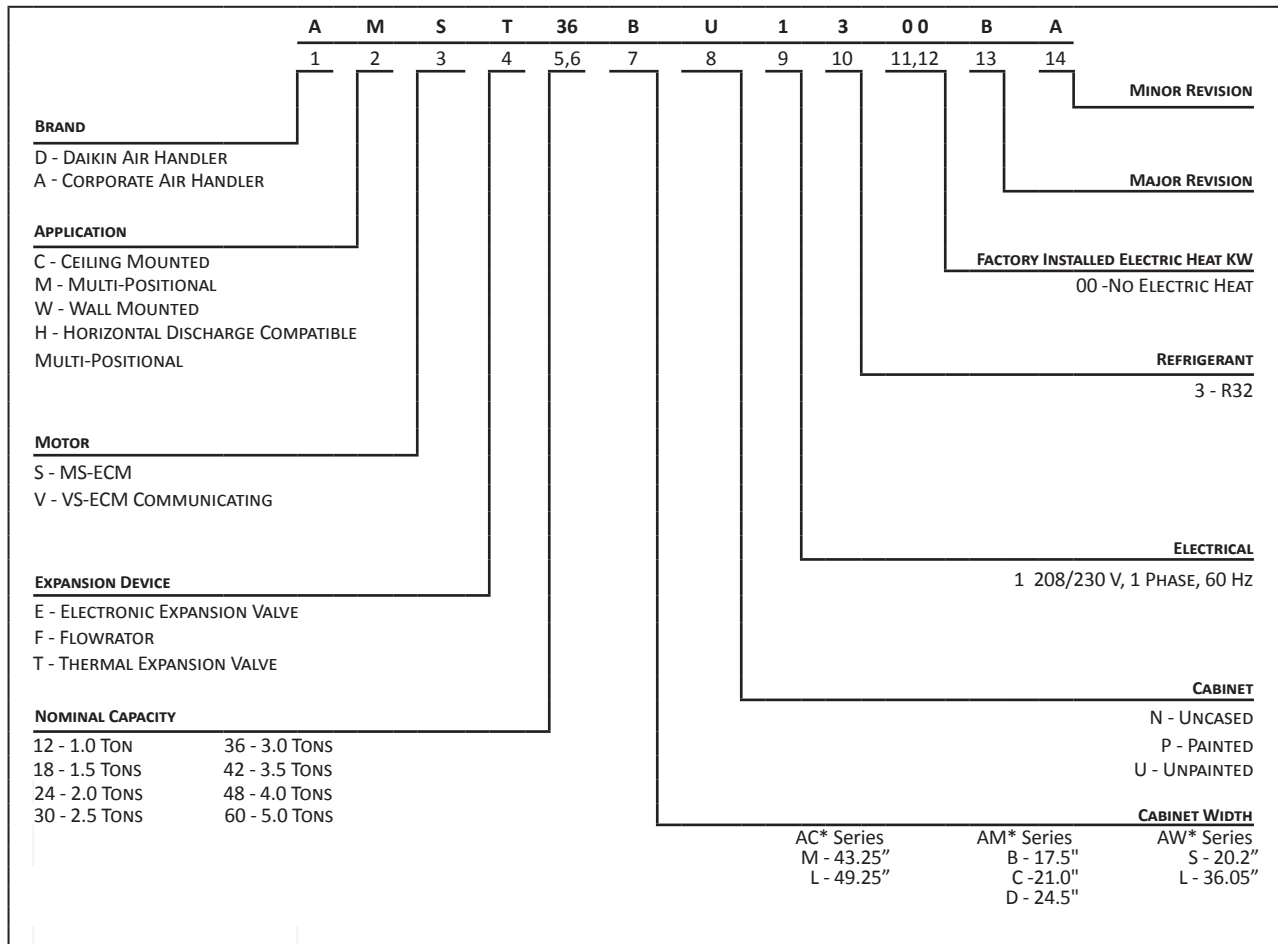


COMPANY WITH
QUALITY SYSTEM
CERTIFIED BY DNV GL
= ISO 9001=

COMPANY WITH
ENVIRONMENTAL SYSTEM
CERTIFIED BY DNV GL
= ISO 14001=



* Complete warranty details available from your local dealer or at www.goodmanmfg.com. To receive the 10-Year Parts Limited Warranty, online registration must be completed within 60 days of installation. Online registration is not required in California or Québec. The duration of warranty coverage in Texas and Florida differs in some cases.

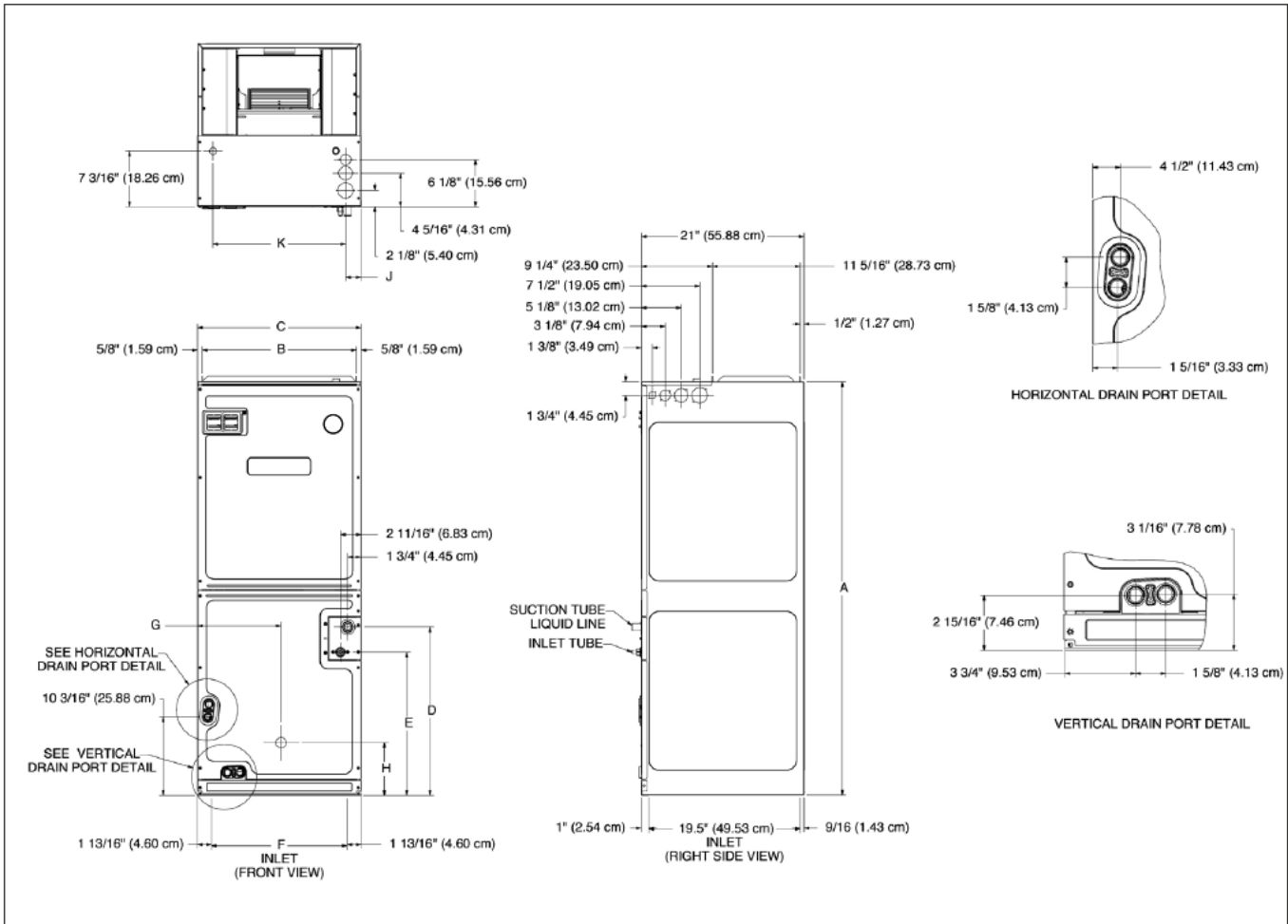


	AMST 24BU13*	AMST 30BU13*	AMST 36CU13*	AMST 42CU13*	AMST 48CU13*	AMST 60DU13*
NOMINAL RATINGS						
Cooling (Btu/h)	24,000	30,000	36,000	42,000	48,000	60,000
Nominal Tons	1.5 Ton	2.0 Ton	3 Ton	3.5 Ton	4 Ton	5 Ton
BLOWER						
Diameter	10"	10"	10"	10"	10"	11"
Width	6"	6"	8"	8"	10"	10"
COIL CONNECTIONS						
Liquid	3/8"	3/8"	3/8"	3/8"	3/8"	3/8"
Suction	3/4"	3/4"	3/4"	3/4"	7/8"	7/8"
Coil Drain Connect (FPT)	3/4"	3/4"	3/4"	3/4"	3/4"	3/4"
ELECTRICAL DATA						
Voltage	208/240 -1	208/240-1	208/240-1	208/240-1	208/240-1	208/240-1
Minimum Circuit Ampacity	5.8	5.6	7.1	5.9	7.1	8.6
Max. Overcurrent Device (Amps)	15	15	15	15	15	15
Min. / Max VAC	197 / 253	197 / 253	197 / 253	197 / 253	197 / 253	197 / 253
Blower Motor						
Full Load Amps (FLA)	4.6	4.5	5.7	5.7	5.7	6.9
Horsepower (HP)	3/4	3/4	3/4	3/4	3/4	1
SHIP WEIGHT (LBS.)						
	112	129	153	153	153	167

*Airflow rate @.3 static

Note: Assumes dry coil; SCFM correction for wet coil = 4% (208V / 240V)

DIMENSIONS



MODEL	A"	B"	C"	D"	E"	F"	G"	H"	J"	K"
AMST24BU*	45	16 ⁵ / ₁₆	17 ⁹ / ₁₆	15 ¹ / ₄	12	12 ¹ / ₂	9	12 ⁹ / ₁₆	2	13 ⁵ / ₈
AMST30BU*	53 ⁷ / ₁₆	16 ⁵ / ₁₆	17 ⁹ / ₁₆	23 ¹¹ / ₁₆	20 ¹ / ₁₆	12 ¹ / ₂	9	12 ³ / ₄	2	13 ⁵ / ₈
AMST36CU*	49	19 ¹³ / ₁₆	21 ¹ / ₈	21 ¹² / ₁₆	17 ³ / ₄	16 ¹ / ₁₆	9	12 ³ / ₄	2	17 ⁵ / ₈
AMST42CU*	53 ⁷ / ₁₆	19 ¹³ / ₁₆	21 ¹ / ₈	21 ¹² / ₁₆	18 ¹ / ₂	16 ¹⁰ / ₁₆	9	12 ³ / ₄	2	17 ⁵ / ₈
AMST48CU*	58	19 ¹³ / ₁₆	21 ¹ / ₈	26 ³ / ₁₆	22 ¹⁵ / ₁₆	14 ¹⁰ / ₁₆	10 ¹³ / ₁₆	6 ¹³ / ₁₆	2	17 ⁵ / ₈
AMST06DU*	58	23 ¹ / ₄	24 ⁵ / ₈	26	22 3/4	17 ¹¹ / ₁₆	12 ⁹ / ₁₆	13 ¹³ / ₁₆	2	20 ⁵ / ₈

MODEL NUMBER	SPEED TAP	STATIC PRESSURE (IN W.C)								
		0.1	0.2	0.3	0.4	0.5	0.6	0.7	0.8	0.9
AMST24 BU1300AA	T1	825	800	745	730	660	645	560	550	460
	T2	850	825	770	750	675	665	590	575	470
	T3	935	910	865	850	790	780	715	705	620
	T4	1,045	1,025	985	970	920	910	850	845	785
	T5	1,100	1,080	1,035	1,020	970	960	905	900	840
	T6	900	875	830	815	750	740	670	655	550
	T7	1,030	1,005	960	950	900	890	825	820	760
	T8	1,215	1,195	1,155	1,145	1,105	1,095	1,045	1,040	980
	T9	1,215	1,195	1,155	1,145	1,105	1,095	1,045	1,040	980
AMST30 BU1300	T1	855	830	780	765	705	695	625	615	515
	T2	920	895	845	830	780	770	710	700	615
	T3	985	960	915	900	850	840	785	775	710
	T4	1,070	1,050	1,005	995	945	935	890	885	830
	T5	1,185	1,165	1,125	1,115	1,070	1,060	1,015	1,010	960
	T6	985	960	915	900	850	840	785	775	710
	T7	1,070	1,050	1,005	995	945	935	890	885	830
	T8	1,185	1,165	1,125	1,115	1,070	1,060	1,015	1,010	960
	T9	1,185	1,165	1,125	1,115	1,070	1,060	1,015	1,010	960
AMST36 CU1300	T1	1,070	1,035	960	935	830	810	700	690	610
	T2	1,165	1,130	1,055	1,035	960	940	825	815	715
	T3	1,285	1,255	1,190	1,170	1,100	1,085	990	980	885
	T4	1,430	1,400	1,345	1,330	1,260	1,250	1,175	1,165	1,065
	T5	1,560	1,530	1,470	1,455	1,390	1,380	1,310	1,300	1,235
	T6	1,430	1,400	1,345	1,330	1,260	1,250	1,175	1,165	1,065
	T7	1,735	1,710	1,660	1,645	1,580	1,570	1,510	1,500	1,440
	T8	1,830	1,805	1,755	1,740	1,685	1,675	1,605	1,595	1,525
	T9	1,830	1,805	1,755	1,740	1,685	1,675	1,605	1,595	1,525
AMST42 CU1300	T1	1,165	1,140	1,085	1,065	990	975	895	880	765
	T2	1,230	1,205	1,150	1,135	1,070	1,060	990	975	850
	T3	1,410	1,385	1,335	1,325	1,280	1,270	1,195	1,185	1,115
	T4	1,440	1,415	1,365	1,355	1,305	1,295	1,235	1,225	1,155
	T5	1,495	1,470	1,425	1,415	1,365	1,355	1,305	1,295	1,220
	T6	1,580	1,550	1,510	1,490	1,450	1,420	1,380	1,330	1,300
	T7	1,410	1,385	1,335	1,325	1,280	1,270	1,195	1,185	1,115
	T8	1,760	1,730	1,700	1,670	1,640	1,610	1,580	1,550	1,505
	T9	1,760	1,730	1,700	1,670	1,640	1,610	1,580	1,550	1,505
AMST48 CU1300	T1	1,420	1,390	1,330	1,310	1,235	1,220	1,135	1,125	1,050
	T2	1,465	1,435	1,375	1,355	1,280	1,265	1,165	1,155	1,065
	T3	1,580	1,550	1,490	1,470	1,400	1,390	1,315	1,305	1,230
	T4	1,635	1,610	1,560	1,545	1,480	1,470	1,400	1,390	1,315
	T5	1,735	1,710	1,660	1,640	1,560	1,550	1,485	1,475	1,410
	T6	1,420	1,390	1,330	1,310	1,235	1,220	1,135	1,125	1,050
	T7	1,800	1,775	1,730	1,715	1,675	1,635	1,595	1,550	1,460
	T8	1,820	1,795	1,750	1,735	1,680	1,670	1,605	1,595	1,525
	T9	1,820	1,795	1,750	1,735	1,680	1,670	1,605	1,595	1,525

AIRFLOW DATA (CONT.)

MODEL NUMBER	SPEED TAP	STATIC PRESSURE (IN W.C)								
		0.1	0.2	0.3	0.4	0.5	0.6	0.7	0.8	0.9
AMST60 DU1300	T1	1,215	1,175	1,095	1,070	975	950	790	780	700
	T6	1,815	1,785	1,725	1,710	1,650	1,640	1,570	1,560	1,490
	T7	1,360	1,325	1,250	1,230	1,145	1,125	1,010	990	850
	T8	2,070	2,045	1,995	1,980	1,930	1,920	1,855	1,845	1,785
	T9	1,970	1,945	1,895	1,880	1,815	1,805	1,740	1,730	1,660

AMST Airflow Data (CFM)

NOTES

1. Airflow data indicated is at 230V without air filter in place.
2. Static on table includes static from media filter. Motor Speed Tap should be selected with media filter included in static value.
3. The chart is for information only. For satisfactory operation, external static pressure must not exceed value shown on rating plate.
4. The cooling/heat pump speed tap should be selected based on the AHRI rating. Otherwise, select a speed tap that provides a minimum 350 CFM per outdoor ton.
5. Use the CFM adjustment factors of 0.98 for horizontal left and 0.96 for horizontal right & downfow orientations.
6. When applying a humidistat (normally closed), refer to the installation and operating instructions. The humidistat can adjust the cooling airflow to 85%.
7. Airflow test data is proved to satisfy minimum room area (Amin) and minimum airflow at mitigation mode (Qmin). See Table 9.

See notes on page 7.

HEATER KIT MODEL	CIRCUIT 1 (208V/240V)			CIRCUIT 2 (208V/240V)			SINGLE-POINT KIT (208V/240V)	
	HEATER AMPS	MCA ¹	MOP ²	HEATER AMPS	MCA ¹	MOP ²	MCA ¹	MOP ²
AMST24BU1300AA	0/0	5.8/5.8	15/15	---	---	---	---	---
HKTSN03X1	10.8/12.5	19/21.4	20/25	---	---	---	---	---
HKTS*05X1	17.3/20	27/30.8	30/35	---	---	---	---	---
HKTSN06X1	21.7/25	32.8/37	35/40	---	---	---	---	---
HKTS*08X1	28.9/33.3	41.9/47	45/50	---	---	---	---	---
HKTS*10X1	34.7/40	49.1/56	50/60	---	---	---	---	---
HKTS15XA/B	34.7/40	49.1/56	50/60	17.3/20	21.7/25	25/25	70.8/80.8	80/90
AMST30BU1300AA	0/0	5.6/5.6	15/15	---	---	---	---	---
HKTSN03X1	10.8/12.5	19/21.3	20/25	---	---	---	---	---
HKTS*05X1	17.3/20	27/30.6	30/35	---	---	---	---	---
HKTSN06X1	21.7/25	32.7/37	35/40	---	---	---	---	---
HKTS*08X1	28.9/33.3	42/47.3	45/50	---	---	---	---	---
HKTS*10X1	34.7/40	49/55.6	50/60	---	---	---	---	---
HKTS15XA/B	34.7/40	49.1/56	50/60	17.3/20	21.7/25	25/25	70.6/80.6	80/90
AMST36CU1300AA	0/0	7.1/7.1	15/15	---	---	---	---	---
HKTSN03X1	10.8/12.5	20.7/23	25/25	---	---	---	---	---
HKTS*05X1	17.3/20	29/32.1	30/35	---	---	---	---	---
HKTSN06X1	21.7/25	34/38.4	35/40	---	---	---	---	---
HKTS*08X1	28.9/33.3	43/48.8	45/50	---	---	---	---	---
HKTS*10X1	34.7/40	50.5/57	60/60	---	---	---	---	---
HKTS*15X3 ^	0/0	7.1/7.1	15/15	30/34.6	37.5/43.3	40/45	---	---
HKTS15XA/B	34.7/40	50.5/57.1	60/60	17.3/20	21.7/25	25/25	72.1/82.1	80/90
HKTS19CA/B	34.7/40	50.5/57.1	60/60	34.7/40	43.3/50	45/50	93.9/107	100/110
AMST42CU1300AA	0/0	5.9/5.9	15/15	---	---	---	---	---
HKTSN03X1	10.8/12.5	19/21.5	20/25	---	---	---	---	---
HKTS*05X1	17.3/20	28/30.9	30/35	---	---	---	---	---
HKTSN06X1	21.7/25	33/37.1	35/40	---	---	---	---	---
HKTS*08X1	28.9/33.3	42/47.5	45/50	---	---	---	---	---
HKTS*10X1	34.7/40	49/55.9	50/60	---	---	---	---	---
HKTS*15X3 ^	0/0	5.9/5.9	15/15	30/34.6	37.5/43.3	40/45	---	---
HKTS15XA/B	34.7/40	49.2/55.9	50/60	17.3/20	21.7/25	25/25	70.9/80.9	80/90
HKTS19CA/B	34.7/40	49.2/55.9	50/60	34.7/40	43.3/50	45/50	92.5/106	100/110
AMST48CU1300AA	0/0	7.1/7.1	15/15	---	---	---	---	---
HKTSN03X1	10.8/12.5	20.7/23	25/25	---	---	---	---	---
HKTS*05X1	17.3/20	29/32.1	30/35	---	---	---	---	---
HKTSN06X1	21.7/25	34/38.4	35/40	---	---	---	---	---
HKTS*08X1	28.9/33.3	43/48.8	45/50	---	---	---	---	---
HKTS*10X1	34.7/40	50.5/57	60/60	---	---	---	---	---
HKTS*15X3 ^	0/0	7.1/7.1	15/15	30/34.6	37.5/43.3	40/45	---	---
HKTS15XA/B	34.7/40	50.5/57	60/60	17.3/20	21.7/25	25/25	72.1/82.1	80/90
HKTS19CA/B	34.7/40	50.5/57.1	60/60	34.7/40	43.3/50	45/50	93.9/107	100/110

HEAT KIT DATA (CONT.)

HEATER KIT MODEL	CIRCUIT 1 (208V/240V)			CIRCUIT 2 (208V/240V)			SINGLE-POINT KIT (208V/240V)	
	HEATER AMPS	MCA ¹	MOP ²	HEATER AMPS	MCA ¹	MOP ²	MCA ¹	MOP ²
AMST60DU1300AA	0/0	8.6/8.6	15/15	---	---	---	---	---
HKTSN03X1	10.8/12.5	22/24.3	25/25	---	---	---	---	---
HKTS*05X1	17.3/20	30.3/34	35/35	---	---	---	---	---
HKTSN06X1	21.7/25	36/39.9	40/40	---	---	---	---	---
HKTS*08X1	28.9/33.3	45/50.3	45/60	---	---	---	---	---
HKTS*10X1	34.7/40	52/58.6	60/60	---	---	---	---	---
HKTS*15X3 ^	0/0	8.6/8.6	15/15	30/34.6	37.5/43.3	40/45	---	---
HKTSD15XA/B	34.7/40	52/58.6	60/60	17.3/20	21.7/25	25/25	73.6/83.6	80/90
HKTS*20X3 ^	0/0	8.6/8.6	15/15	37.5/43.3	46.9/54.1	50/60	---	---
HKTSD20DA/B	34.7/40	52/58.6	60/60	34.7/40	43.3/50	45/50	95.3/109	100/110
HKTSD25DA/B	52/60	73.6/83.6	80/90	35/40	43.3/50	45/50	117/134	125/150

¹Minimum Circuit Ampacity (Heater Amps + Motor Amps) X 1.25

²Maximum Overcurrent Protection = 2.25 X Motor Amps + Heater Amps

^ Three-phase Heater Kits (Circuit 1: Single-phase for Air Handlers Circuit 2: Three-phase for Heater Kits)

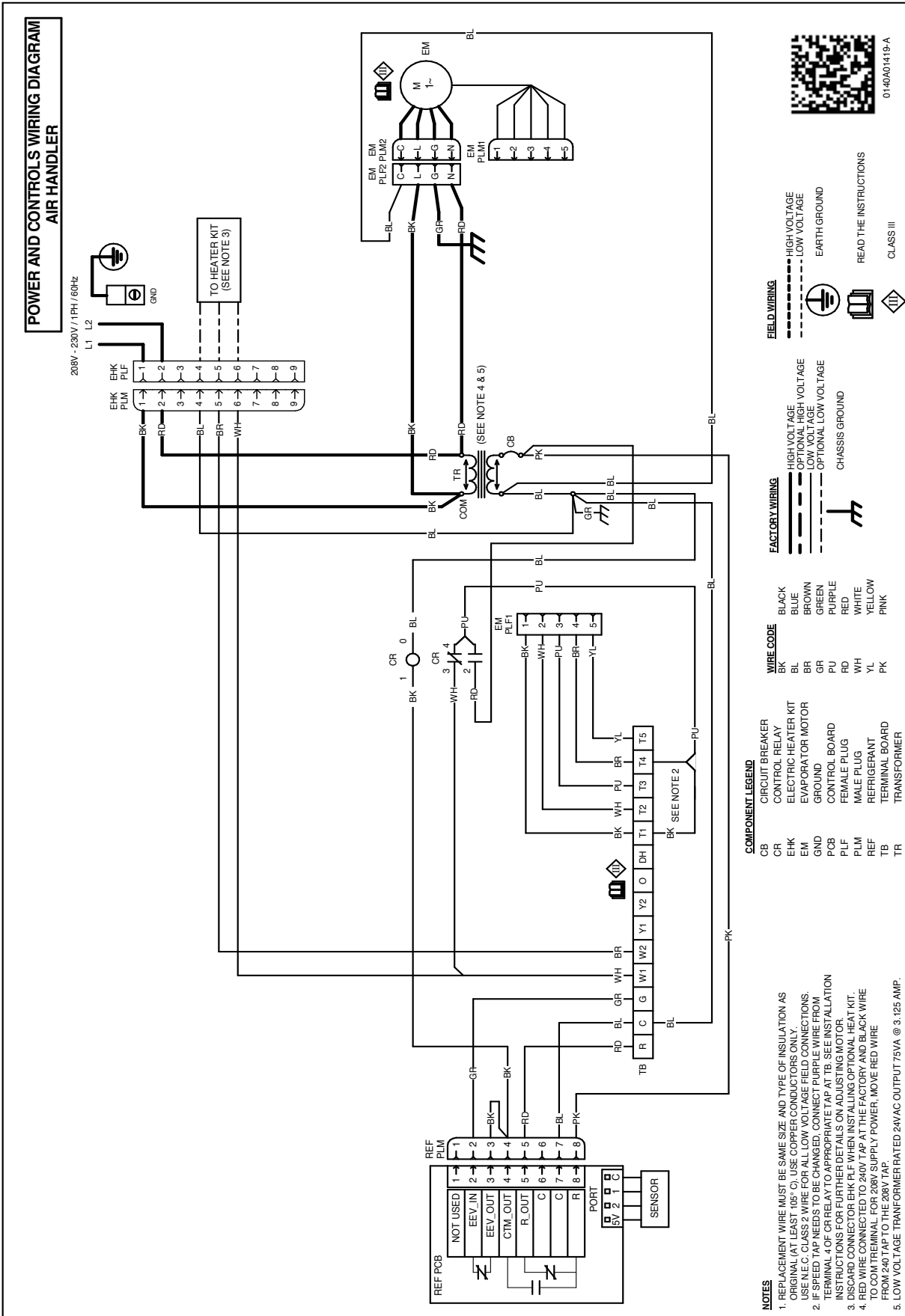
* D - Service disconnect, N - No service disconnect

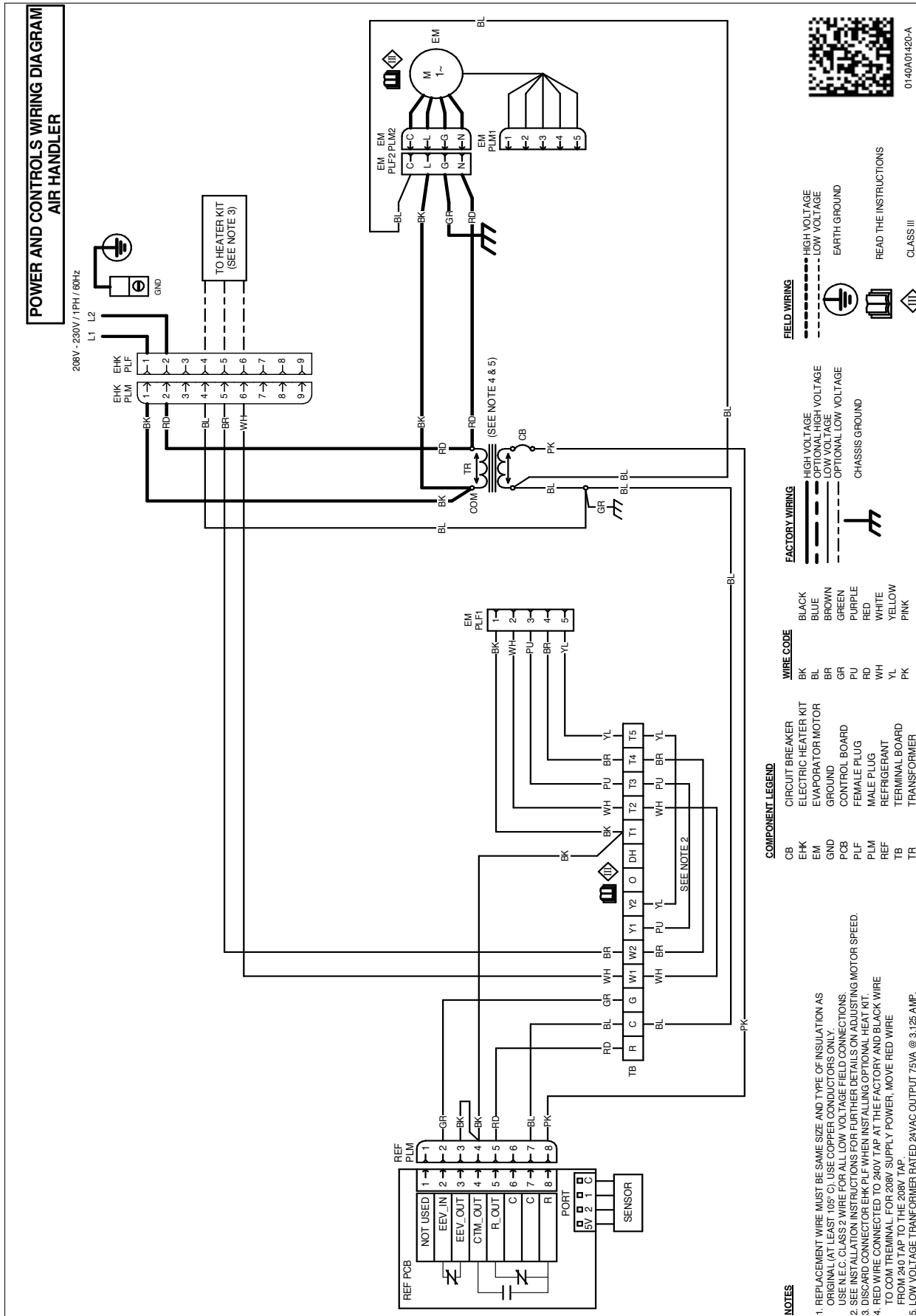
--- indicates Not Required

HEATING KW CORRECTION FACTOR

SUPPLY VOLTAGE	240	230	220	210	208
CORRECTION FACTOR	1.00	0.92	0.84	0.77	0.75

Multiply the 240-volt heating capacity by correction factors.





DOWNFLOW KITS

DFKE-02	DFKE-03
AMST24BU1300**	AMST48CU1300**
AMST30BU1300**	AMST60DU1300**
AMST36CU1300**	
AMST42CU1300**	

HIGH HUMIDITY KIT

HHK0004	HHK0005	HHK0007
AMST24BU1300**	AMST36CU1300**	AMST60DU1300**
AMST30BU1300**	AMST42CU1300**	
	AMST48CU1300**	

CONDENSATE MANAGEMENT KIT

CMK0018	CMK0019	CMK0020
AMST24BU1300**	AMST30BU1300**	AMST48CU1300**
AMST36CU1300**	AMST42CU1300**	AMST60DU1300**

FILTERS

CHASSIS	PART #	SIZE
B	ALFH16201E	16.0" x 20.0"
C	ALFH1912201E	19.5" x 20.0"
D	ALFH20231E	23.0" x 20.0"

SINGLE POINT WIRING KIT (SPW-01)

HEATER KIT MODEL	SPWK-B	SPWK-C	SPWK-D
HKTSD15XA	AMST24BU1300** AMST30BU1300**	AMST36CU1300** AMST42CU1300** AMST48CU1300**	AMST60DU1300** AMST60DU1300**
HKTSD15XB			
HKTSD19CA			
HKTSD19CB			
HKTSD20DA			AMST60DU1300**
HKTSD20DB			
HKTSD25DA			AMST60DU1300**
HKTSD25DB			

FRPP DRAIN PAN KIT FOR UVC APPLICATION

MODULE	FRPP DRAIN PAN KIT
AMST24BU1300**	UVPK01
AMST30BU1300**	UVPK02
AMST36CU1300**	UVPK03
AMST42CU1300**	UVPK04
AMST48CU1300**	UVPK05
AMST60DU1300**	UVPK07

