



Air Conditioning & Heating

INDOOR COILS

*CAPTA, CHPTA PAINTED
UPFLOW/DOWNFLOW,
HORIZONTAL "A"*



CAPTA – Cased with Internal TXV



CHPTA – Cased with Internal TXV

R32

Standard Features

- All-Aluminum evaporator coil
- Optimized for use with R-32 refrigerant including circuits and manifolds
- R-32 sensor designed for the life span of the coil
- CAPTA and CHPTA models feature factory-installed thermal expansion valves for cooling and heat pump applications
- Standardized copper suction tube stub length
- Vertical and horizontal models available
- 21" depth for easier attic access
- CAPTA and CHPTA models include a single front access panel
- Foil-faced insulation covers the internal casing to reduce cabinet condensation
- Galvanized, leather grain-embossed finish
- Rust resistant, thermoplastic drain pans featuring a low water-retention design
- DecaBDE-free thermoplastic drain pan with secondary drain connections
- Drain pan rails designed to remove and reposition coils with ease without compromising structural integrity
- UV-resistant drain pan
- AHRI certified; ETL listed

Note: Do not use these coils on oil furnaces or any applications where the temperature on the drain pan may exceed 300° F. If these coils are applied with an oil furnace or another application where high temperatures threaten or jeopardize the durability of the drain pan, you must replace the factory-installed drain pan with a high-temperature drain pan. High-temperature drain pan kits are available as field-installed accessories.

10 YEAR PARTS LIMITED WARRANTY*



COMPANY WITH ENVIRONMENTAL SYSTEM CERTIFIED BY DNV GL ISO 14001

COMPANY WITH QUALITY SYSTEM CERTIFIED BY DNV GL ISO 9001



* Complete warranty details available from your local dealer or at www.goodmanmfg.com. To receive the 10-Year Parts Limited Warranty, online registration must be completed within 60 days of installation. Online registration is not required in California or Quebec.

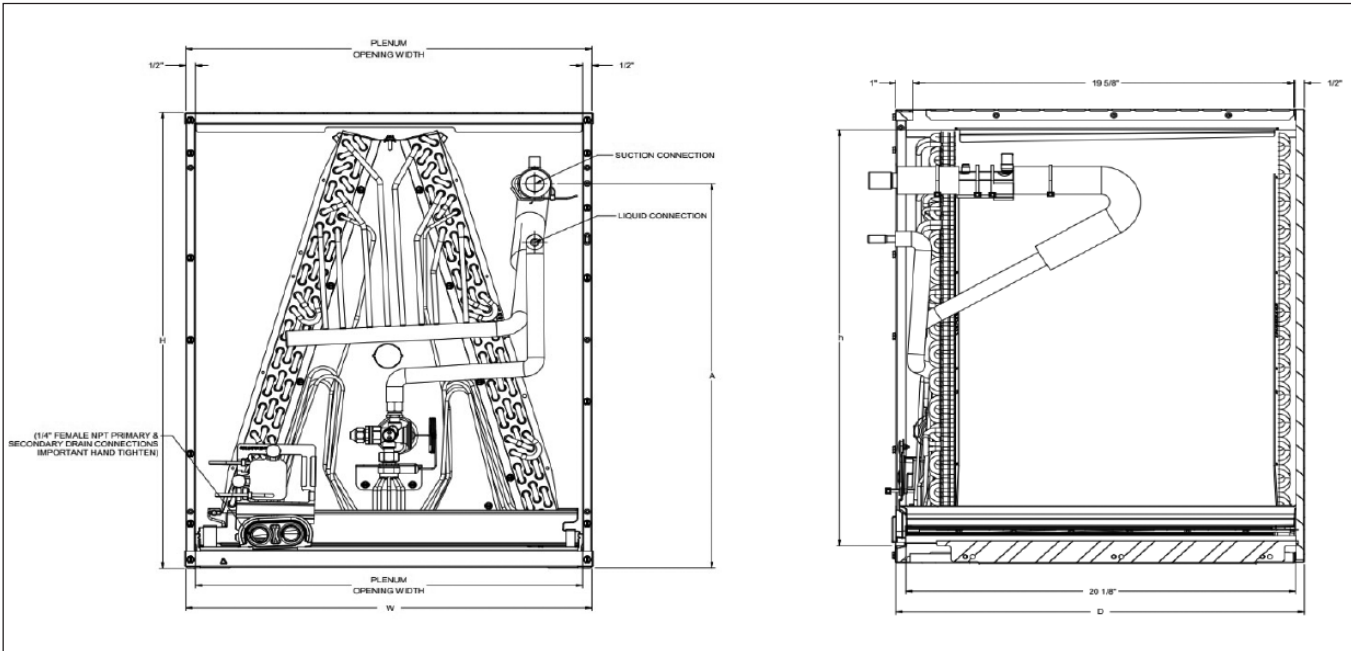
CAPTA — CASED UPFLOW/DOWNFLOW INDOOR COILS

SPECIFICATIONS

MODEL	CABINET DIMENSIONS			NOMINAL TONS	CONNECTION		SHIP WEIGHT (LBS)
	W	D	H		LIQUID	SUCTION	
CAPTA1818A3	14"	21"	18"	1½	¾"	¾"	30
CAPTA1818B3	17½"	21"	18"	1½	¾"	¾"	35
CAPTA2422A3	14"	21"	22"	1½ - 2	¾"	¾"	37
CAPTA2422B3	17½"	21"	22"	1½ - 2	¾"	¾"	40
CAPTA2422C3	21"	21"	22"	1½ - 2	¾"	¾"	43
CAPTA3022A3	14"	21"	22"	2 - 2½	¾"	¾"	37
CAPTA3022B3	17½"	21"	22"	2 - 2½	¾"	¾"	40
CAPTA3022C3	21"	21"	22"	2 - 2½	¾"	¾"	43
CAPTA3026B3	17½"	21"	26"	1½ - 2½	¾"	7/8"	46
CAPTA3026C3	21"	21"	26"	1½ - 2½	¾"	7/8"	51
CAPTA3626B3	17½"	21"	26"	2 - 3	¾"	7/8"	48
CAPTA3626C3	21"	21"	26"	2 - 3	¾"	7/8"	51
CAPTA4230C3	21"	21"	30"	2½ - 3½	¾"	7/8"	66
CAPTA4230D3	24½"	21"	30"	2½ - 3½	¾"	7/8"	70
CAPTA6030C3	21"	21"	30"	3½ - 5	¾"	7/8"	66
CAPTA6030D3	24½"	21"	30"	3½ - 5	¾"	7/8"	70

Note: For a properly matched system and piston sizing information, refer to Daikin piston kit chart of the corresponding Daikin outdoor unit.

DIMENSIONS



CHPTA— CASED HORIZONTAL INDOOR COILS

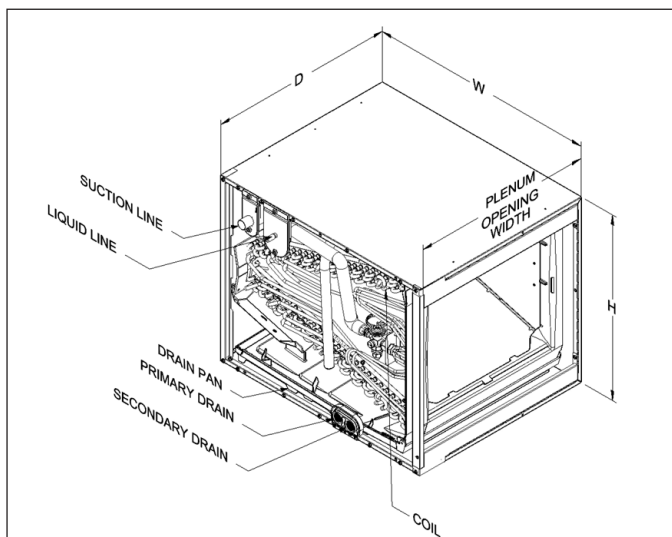
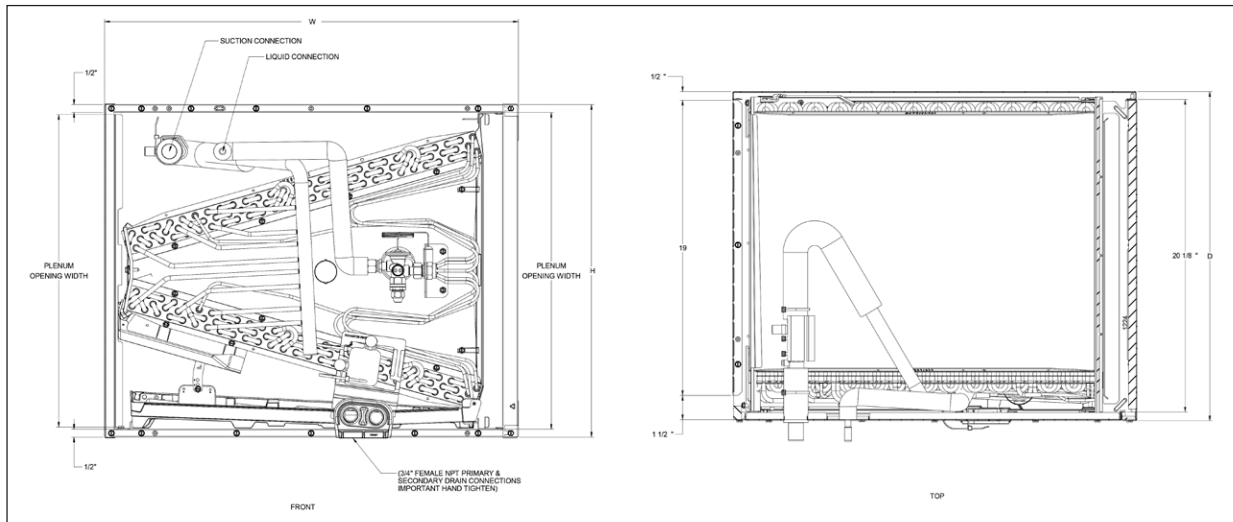


SPECIFICATIONS

MODEL	CABINET DIMENSIONS			NOMINAL TONS	CONNECTION		SHIP WEIGHT (LBS)
	W	D	H		LIQUID	SUCTION	
CHPTA1822A3	22"	21"	14"	1½	¾"	¾"	46
CHPTA1822B3	22"	21"	17½"	1½	¾"	¾"	50
CHPTA2426B3	26"	21"	17½"	1½ - 2	¾"	7⁄8"	55
CHPTA2426C3	26"	21"	21"	1½ - 2	¾"	7⁄8"	57
CHPTA3026B3	26"	21"	17½"	2 - 2½	¾"	7⁄8"	59
CHPTA3026C3	26"	21"	21"	2 - 2½	¾"	7⁄8"	62
CHPTA3630B3	30"	21"	17½"	2½ - 3	¾"	7⁄8"	66
CHPTA3630C3	30"	21"	21"	2½ - 3	¾"	7⁄8"	70
CHPTA4230C3	30"	21"	21"	2½ - 3½	¾"	7⁄8"	70
CHPTA4830C3	30"	21"	21"	3½ - 4	¾"	7⁄8"	78
CHPTA6030D3	30"	21"	24½"	4 - 5	¾"	7⁄8"	82

Note: For a properly matched system and piston sizing information, refer to Daikin piston kit chart of the corresponding Daikin outdoor unit.

DIMENSIONS



AIRFLOW DATA FOR CAPTA

AIR QUANTITY (SCFM) VS. PRESSURE DROP (IN. WC)

	SCFM	400	500	600	700	800	900	1000	1100	1200	1300	1400	1500	1600	1700	1800	1900	2000	2100	2200	
CAPTA1818A3**	Wet	0.080	0.135	0.205	0.275	0.346	0.422	0.516	0.620	0.715	-	-	-	-	-	-	-	-	-	-	-
	Dry	0.074	0.115	0.180	0.239	0.297	0.368	0.443	0.543	0.638	-	-	-	-	-	-	-	-	-	-	-
CAPTA1818B3**	Wet	0.067	0.106	0.165	0.215	0.261	0.317	0.372	0.425	0.482	-	-	-	-	-	-	-	-	-	-	-
	Dry	0.050	0.087	0.125	0.175	0.215	0.265	0.319	0.381	0.444	-	-	-	-	-	-	-	-	-	-	-
CAPTA2422A3**	Wet		0.108	0.150	0.195	0.250	0.310	0.379	0.460	0.543	0.625	-	-	-	-	-	-	-	-	-	-
	Dry		0.088	0.125	0.170	0.215	0.265	0.320	0.385	0.440	0.535	-	-	-	-	-	-	-	-	-	-
CAPTA2422B3**	Wet		0.090	0.130	0.150	0.220	0.250	0.310	0.369	0.436	0.508	-	-	-	-	-	-	-	-	-	-
	Dry		0.082	0.100	0.140	0.170	0.210	0.260	0.300	0.350	0.410	-	-	-	-	-	-	-	-	-	-
CAPTA2422C3**	Wet		0.091	0.110	0.139	0.172	0.205	0.245	0.285	0.335	0.387	-	-	-	-	-	-	-	-	-	-
	Dry		0.069	0.084	0.111	0.133	0.162	0.185	0.210	0.250	0.295	-	-	-	-	-	-	-	-	-	-
CAPTA3022A3**	Wet			0.150	0.195	0.250	0.310	0.379	0.460	0.543	0.625	0.730	-	-	-	-	-	-	-	-	-
	Dry			0.125	0.170	0.215	0.265	0.320	0.385	0.440	0.535	0.618	-	-	-	-	-	-	-	-	-
CAPTA3022B3**	Wet			0.130	0.150	0.220	0.250	0.310	0.369	0.436	0.508	0.584	-	-	-	-	-	-	-	-	-
	Dry			0.100	0.140	0.170	0.210	0.260	0.300	0.350	0.410	0.480	-	-	-	-	-	-	-	-	-
CAPTA3022C3**	Wet			0.110	0.139	0.172	0.205	0.245	0.285	0.335	0.387	0.437	-	-	-	-	-	-	-	-	-
	Dry			0.084	0.111	0.133	0.162	0.185	0.210	0.250	0.295	0.330	-	-	-	-	-	-	-	-	-
CAPTA3026B3**	Wet			0.115	0.150	0.190	0.229	0.270	0.310	0.365	0.420	0.475	-	-	-	-	-	-	-	-	-
	Dry			0.096	0.122	0.150	0.183	0.215	0.252	0.292	0.334	0.382	-	-	-	-	-	-	-	-	-
CAPTA3026C3**	Wet			0.090	0.110	0.140	0.170	0.200	0.240	0.280	0.320	0.370	-	-	-	-	-	-	-	-	-
	Dry			0.080	0.100	0.120	0.150	0.180	0.210	0.240	0.260	0.300	-	-	-	-	-	-	-	-	-
CAPTA3626B3**	Wet					0.134	0.167	0.204	0.245	0.290	0.338	0.389	0.444	0.485	-	-	-	-	-	-	-
	Dry					0.127	0.157	0.190	0.229	0.269	0.316	0.360	0.415	0.450	-	-	-	-	-	-	-
CAPTA3626C3**	Wet					0.100	0.120	0.150	0.180	0.210	0.240	0.280	0.310	0.360	-	-	-	-	-	-	-
	Dry					0.080	0.100	0.130	0.150	0.170	0.200	0.230	0.270	0.300	-	-	-	-	-	-	-
CAPTA4230C3**	Wet							0.130	0.150	0.180	0.210	0.250	0.280	0.310	0.340	0.378	0.414	-	-	-	-
	Dry							0.110	0.132	0.156	0.181	0.208	0.237	0.270	0.300	0.335	0.372	-	-	-	-
CAPTA4230D3**	Wet							0.120	0.140	0.160	0.190	0.220	0.250	0.280	0.310	0.350	0.380	-	-	-	-
	Dry							0.091	0.109	0.127	0.147	0.160	0.190	0.210	0.230	0.260	0.280	-	-	-	-
CAPTA6030C3**	Wet							0.150	0.174	0.210	0.240	0.270	0.310	0.350	0.400	0.440	0.490	0.540	0.600	0.660	
	Dry							0.133	0.160	0.190	0.210	0.250	0.280	0.320	0.350	0.390	0.440	0.480	0.530	0.590	
CAPTA6030D3**	Wet							0.150	0.180	0.210	0.230	0.270	0.300	0.340	0.380	0.430	0.477	0.520	-	-	-
	Dry							0.120	0.140	0.160	0.190	0.210	0.230	0.260	0.290	0.320	0.350	0.380	0.430	0.477	0.520

AIRFLOW DATA FOR CHPTA

AIR QUANTITY (SCFM) VS. PRESSURE DROP (IN. WC)

	SCFM	400	500	600	700	800	900	1000	1100	1200	1300	1400	1500	1600	1700	1800	1900	2000	2100	2200		
CHPTA1822A3**	Wet	0.095	0.151	0.215	0.284	0.354	0.429	0.519	0.601													
	Dry	0.064	0.094	0.144	0.199	0.284	0.353	0.431	0.513													
CHPTA1822B3**	Wet	0.090	0.120	0.140	0.190	0.250	0.310	0.390	0.460													
	Dry	0.080	0.110	0.130	0.180	0.230	0.290	0.360	0.430													
CHPTA2426B3**	Wet		0.130	0.150	0.180	0.204	0.255	0.304	0.365	0.419	0.468											
	Dry		0.100	0.120	0.150	0.170	0.210	0.240	0.290	0.330	0.410											
CHPTA2426C3**	Wet		0.110	0.140	0.160	0.180	0.200	0.230	0.270	0.320	0.370											
	Dry		0.090	0.110	0.130	0.150	0.190	0.220	0.260	0.300	0.350											
CHPTA3026B3**	Wet			0.110	0.150	0.180	0.230	0.280	0.320	0.370	0.430	0.490										
	Dry			0.120	0.140	0.170	0.210	0.250	0.290	0.340	0.400	0.460										
CHPTA3026C3**	Wet			0.100	0.130	0.150	0.170	0.200	0.230	0.260	0.300	0.340										
	Dry			0.060	0.080	0.110	0.130	0.150	0.174	0.198	0.229	0.259										
CHPTA3630B3**	Wet			0.150	0.187	0.229	0.279	0.323	0.372	0.430	0.465											
	Dry			0.128	0.153	0.191	0.237	0.285	0.330	0.377	0.428											
CHPTA3630C3**	Wet			0.140	0.175	0.205	0.245	0.285	0.325	0.365	0.410											
	Dry			0.086	0.105	0.135	0.155	0.185	0.210	0.245	0.279											
CHPTA4230C3**	Wet			0.140	0.175	0.205	0.245	0.285	0.325	0.365	0.410											
	Dry			0.086	0.105	0.135	0.155	0.185	0.210	0.245	0.279											
CHPTA4830C3**	Wet							0.210	0.250	0.304	0.352	0.402	0.457	0.510	0.570	0.630	0.693	0.761	0.831	0.894		
	Dry							0.163	0.194	0.226	0.263	0.297	0.337	0.381	0.420	0.470	0.520	0.580	0.630	0.690		
CHPTA6030D3**	Wet							0.161	0.189	0.221	0.254	0.292	0.332	0.370	0.413	0.461	0.502					
	Dry							0.140	0.160	0.190	0.220	0.250	0.283	0.314	0.351	0.389	0.402					

ACCESSORIES

DRAIN PAN INSULATION KITS FOR CAPTA

KIT NUMBER	CABINET WIDTH
DPICX-AB	14"
DPICX-BB	17½"
DPICX-CB	21"
DPICX-DB	24½"
DPICX-DC (Use only for CAPTA6030D3, CAPFA6030D3 and CAUTA6030D3)	24½"

UV-C PART NUMBERS

MODELS	LAMP
UC18S15-24	UCP-16013
UC18S15-24B	UCP-16012

HORIZONTAL RIGHT COIL ACCESSORY FOR HIGH HUMIDITY ENVIRONMENT FOR CHPTA

DRAIN PAN KITS	FURNACE SIZE
HHCMK01	All Horizontal cabinets

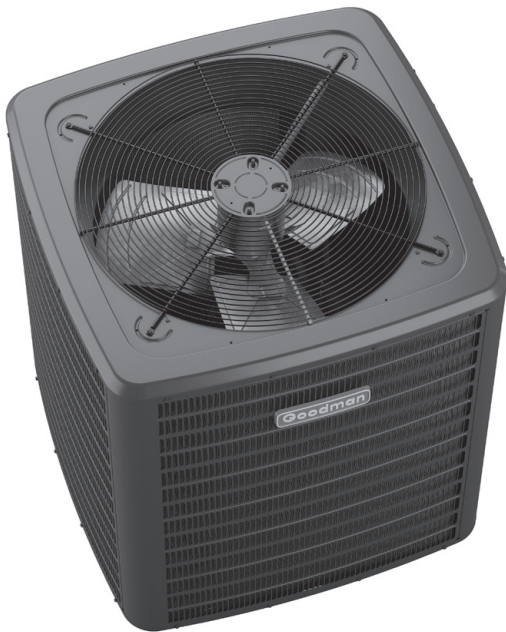
R32 ACCESSORY KIT FOR NON-A2L FURNACE FOR CAPTA, CHPTA

KIT NUMBER	FURNACE TYPE
0230K00044	Non-A2L furnaces

R32 ZONING ACCESSORY KIT FOR CAPTA, CHPTA

KIT NUMBER	MODELS
0230K00007	All CAPTA, CHPTA models

*ENERGY-EFFICIENT CLASSIC
R-32 SPLIT SYSTEM AIR CONDITIONER
UP TO 15 SEER2
1½ To 5 TONS*



R32

Contents

Nomenclature..... 2
 Product Specifications..... 3
 Expanded Cooling Data 4
 Performance Data 18
 Dimensions 20
 Wiring Diagrams 21
 Accessories 23

Standard Features

- Energy-efficient compressor
- Fully charged for 15' of tubing length
- Copper tube/ enhanced aluminum fin coil-5mm diameter
- Factory-installed filter drier
- Sweat connection service valves with easy access to gauge ports
- Enclosed contactor
- High-pressure switch
- Ground lug connection
- Capacitors with extended life
- AHRI Certified
- ETL Listed

Cabinet Features

- Removable grille-style top design compliant with UL 60335-2-40
- Venturi for increased velocity of airflow
- Attractive Architectural Gray powder-paint finish with 500-hour salt-spray approval
- Wire fan discharge grille
- Steel louver coil guard
- Top and side maintenance access
- Single-panel access to controls with space provided for field-installed accessories
- When properly anchored, meets the 2023 Florida Building Code unit integrity requirements for hurricane-type winds (Anchor bracket kits available.)

**10 PARTS LIMITED
YEAR WARRANTY***

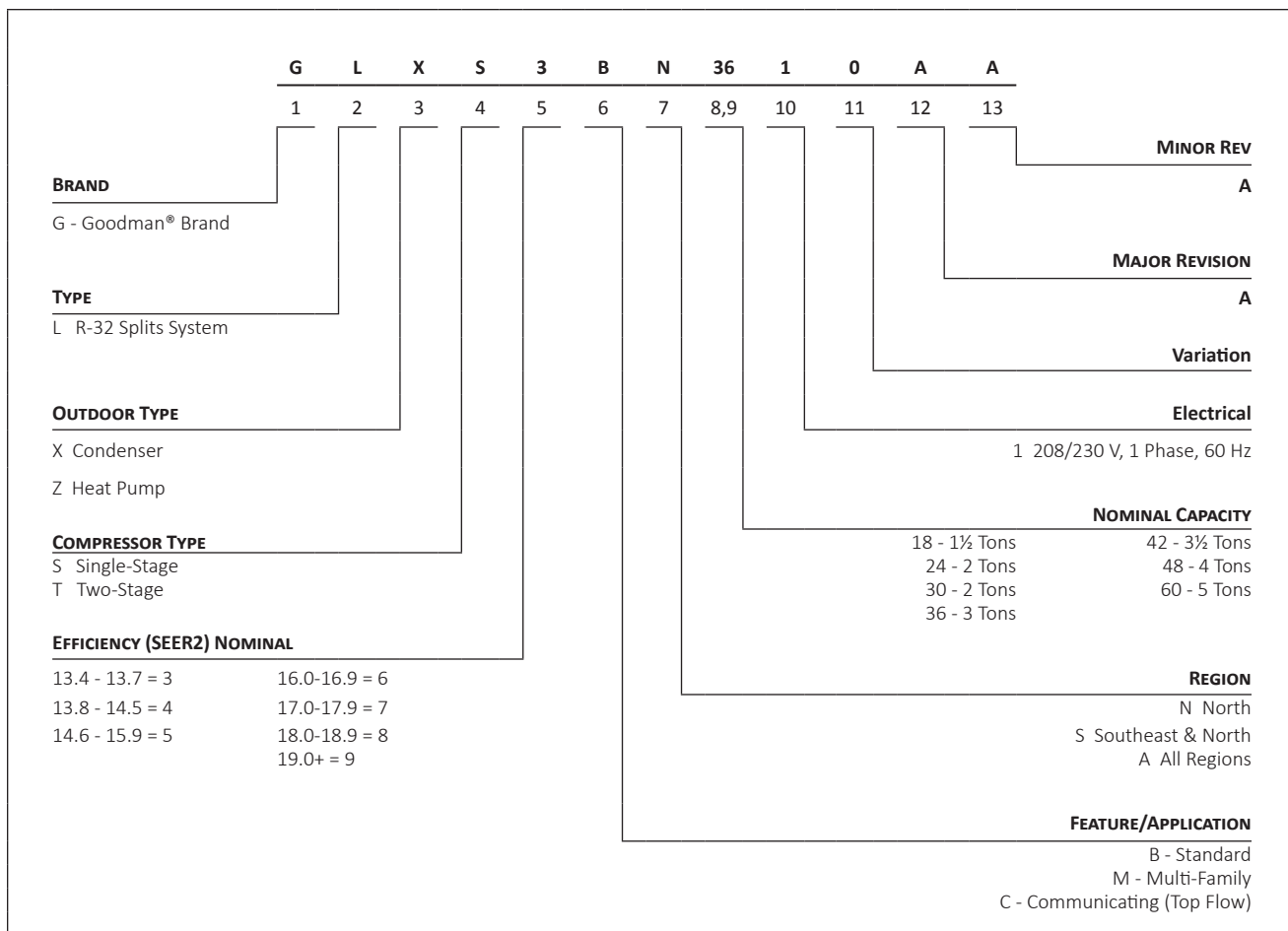


COMPANY WITH
QUALITY SYSTEM
CERTIFIED BY DNV GL
= ISO 9001 =

COMPANY WITH
ENVIRONMENTAL SYSTEM
CERTIFIED BY DNV GL
= ISO 14001 =



* Complete warranty details available from your local dealer or at www.goodmanmfg.com. To receive the 10-Year Parts Limited Warranty, online registration must be completed within 60 days of installation. Online registration is not required in California or Québec. The duration of warranty coverage in Texas and Florida differs in some cases.



	GLXS3BN 1810A*	GLXS3BN 2410A*	GLXS3BN 3010A*	GLXS3BN 3610A*	GLXS3BN 4210A*	GLXS3BN 4810A*	GLXS3BN 6010A*
COOLING CAPACITY							
Nominal Cooling (BTU/h)	18,000	24,000	30,000	36,000	42,000	48,000	60,000
Decibels (dBA)	73.0	74.0	74.0	69.0	73.0	71.0	74.0
COMPRESSOR							
RLA	8.2	8.2	11.2	13.4	14.4	19.4	23.9
LRA	41.2	41.2	52.5	83.3	112.2	127.7	148.0
Stage	Single	Single	Single	Single	Single	Single	Single
Type	Rotary	Rotary	Rotary	Scroll	Scroll	Scroll	Scroll
CONDENSER FAN MOTOR							
Motor Type	PSC	PSC	PSC	PSC	PSC	PSC	PSC
Horsepower (RPM)	1/8	1/8	1/8	1/8	1/4	1/4	1/4
FLA	0.70	0.70	0.70	0.70	1.4	1.4	1.3
REFRIGERATION SYSTEM							
Refrigerant Line Size ¹							
Liquid Line Size ("O.D.)	3/8"	3/8"	3/8"	3/8"	3/8"	3/8"	3/8"
Suction Line Size ("O.D.)	3/4"	3/4"	3/4"	7/8"	1 1/8"	1 1/8"	1 1/8"
Refrigerant Connection Size							
Liquid Valve Size ("O.D.)	3/8"	3/8"	3/8"	3/8"	3/8"	3/8"	3/8"
Suction Valve Size ("O.D.) ²	3/4"	3/4"	3/4"	7/8"	7/8"	7/8"	7/8"
Valve Connection Type	Sweat	Sweat	Sweat	Sweat	Sweat	Sweat	Sweat
Refrigerant Charge ³	53	53	60	60	74	84	91
ELECTRICAL DATA							
Voltage-Phase	208/230-1	208/230-1	208/230-1	208/230-1	208/230-1	208/230-1	208/230-1
Minimum Circuit Ampacity ⁴	10.9	10.9	14.7	17.5	19.4	25.6	31.1
Max. Overcurrent Protection ⁵	15.0	15.0	25.0	30.0	30.0	40.0	50.0
Min / Max Volts	197/253	197/253	197/253	197/253	197/253	197/253	197/253
Electrical Conduit Size	1/2" or 3/4"	1/2" or 3/4"	1/2" or 3/4"	1/2" or 3/4"	1/2" or 3/4"	1/2" or 3/4"	1/2" or 3/4"
EQUIPMENT WEIGHT (LBS)							
	114	114	134	136	180	188	229
SHIP WEIGHT (LBS)							
	129	129	149	151	195	203	244

¹ Line sizes denoted for 25' line sets, tested and rated in accordance with AHRI Standard 210/240. For other line set lengths or sizes, refer to the Installation Instructions and/or the Long Line Set Applications guide.

² Any suction line adapter will need to be supplied by the field.

³ Unit is factory charged with refrigerant for 15' of 3/8" liquid line. System charge must be adjusted per the Final Charge Adjustment procedure found in the Installation Instructions.

⁴ Wire size should be determined in accordance with National Electrical Codes; extensive wire runs will require larger wire sizes

⁵ Must use time-delay fuses or HACR-type circuit breakers of the same size as noted.

NOTES

- Always check the S&R plate for electrical data on the unit being installed.

EXPANDED COOLING DATA — GLXS3BN1810A*+ CAPTA2422A*

IDB		OUTDOOR AMBIENT TEMPERATURE																																			
		65						75						85						95						105						115					
		AIRFLOW		59	63	67	71	59		63	67	71	59		63	67	71	59		63	67	71	59		63	67	71	59		63	67	71					
70	MBh	18.3	18.5	19.1	-	18.1	18.3	18.9	-	17.6	17.9	18.4	-	16.8	17.0	17.6	-	15.8	16.0	16.6	-	14.9	15.1	15.7	-												
	S/T	0.53	0.46	0.34	-	0.54	0.47	0.34	-	0.56	0.49	0.37	-	0.58	0.51	0.38	-	0.60	0.53	0.40	-	0.64	0.57	0.45	-												
	ΔT	23	21	17	-	23	21	17	-	24	22	18	-	23	21	17	-	23	21	17	-	24	22	18	-												
	kW	1.19	1.19	1.18	-	1.32	1.31	1.31	-	1.46	1.46	1.46	-	1.61	1.61	1.61	-	1.79	1.79	1.78	-	1.99	1.99	1.99	-												
	Amps	4.2	4.2	4.2	-	4.8	4.8	4.8	-	5.4	5.4	5.4	-	6.1	6.1	6.1	-	6.9	6.9	6.9	-	7.9	7.9	7.8	-												
675	MBh	18.6	18.8	19.4	-	18.4	18.6	19.2	-	17.9	18.2	18.7	-	17.1	17.3	17.9	-	16.1	16.3	16.9	-	15.2	15.4	16.0	-												
	S/T	0.61	0.54	0.41	-	0.61	0.54	0.42	-	0.63	0.56	0.44	-	0.65	0.58	0.46	-	0.67	0.60	0.48	-	0.72	0.65	0.53	-												
	ΔT	22	20	16	-	22	20	16	-	22	20	16	-	22	20	16	-	21	19	15	-	23	21	17	-												
	kW	1.20	1.20	1.19	-	1.32	1.32	1.32	-	1.47	1.47	1.46	-	1.62	1.62	1.62	-	1.80	1.79	1.79	-	2.00	2.00	1.99	-												
	Amps	4.2	4.2	4.2	-	4.8	4.8	4.8	-	5.5	5.5	5.5	-	6.2	6.2	6.2	-	7.0	7.0	7.0	-	7.9	7.9	7.9	-												

75	MBh	18.3	18.5	19.1	19.9	18.1	18.4	18.9	19.7	17.6	17.9	18.4	19.3	16.8	17.1	17.6	18.4	15.8	16.1	16.6	17.4	14.9	15.1	15.7	16.5
	S/T	0.65	0.58	0.46	0.3	0.65	0.58	0.46	0.3	0.68	0.61	0.48	0.4	0.69	0.62	0.50	0.4	0.71	0.64	0.52	0.4	1.00	0.69	0.57	0.4
	ΔT	28	26	22	18	28	26	22	18	28	26	22	18	28	26	22	18	28	26	22	18	29	27	23	19
	kW	1.19	1.19	1.18	1.2	1.31	1.31	1.31	1.3	1.46	1.46	1.45	1.5	1.61	1.61	1.61	1.6	1.79	1.78	1.78	1.8	1.99	1.99	1.99	2.0
	Amps	4.2	4.2	4.2	4.2	4.8	4.8	4.8	4.8	5.4	5.4	5.4	5.5	6.1	6.1	6.1	6.2	6.9	6.9	6.9	7.0	7.9	7.9	7.8	7.9
625	MBh	18.6	18.8	19.4	20.2	18.4	18.7	19.2	20.0	17.1	18.2	18.7	19.6	17.1	17.4	17.9	18.7	16.1	16.4	16.9	17.7	15.2	15.4	16.0	16.8
	S/T	0.72	0.65	0.53	0.4	0.73	0.66	0.54	0.4	0.75	0.68	0.56	0.4	0.77	0.70	0.58	0.4	1.00	0.72	0.60	0.5	1.00	0.77	0.64	0.5
	ΔT	26	24	20	16	26	24	20	16	27	25	21	16	26	24	20	16	26	24	20	16	27	25	21	17
	kW	1.20	1.19	1.19	1.20	1.32	1.32	1.32	1.33	1.47	1.47	1.46	1.47	1.62	1.62	1.62	1.63	1.79	1.79	1.79	1.80	2.00	2.00	1.99	2.00
	Amps	4.2	4.2	4.2	4.3	4.8	4.8	4.8	4.8	5.5	5.5	5.5	5.5	6.2	6.2	6.2	6.2	7.0	7.0	7.0	7.0	7.9	7.9	7.9	7.9
525	MBh	18.7	19.0	19.5	-	18.6	18.8	19.4	-	18.1	18.3	18.9	-	17.3	17.5	18.1	-	16.3	16.5	17.1	-	15.3	15.6	16.1	-
	S/T	0.63	0.56	0.44	-	0.63	0.56	0.44	-	0.66	0.59	0.46	-	0.67	0.60	0.48	-	0.69	0.62	0.50	-	0.74	0.67	0.55	-
	ΔT	21	19	15	-	21	19	15	-	21	19	15	-	21	19	15	-	21	19	15	-	22	20	16	-
	kW	1.20	1.20	1.20	-	1.33	1.33	1.32	-	1.47	1.47	1.47	-	1.63	1.62	1.62	-	1.80	1.80	1.80	-	2.00	2.00	2.00	-
	Amps	4.2	4.2	4.2	-	4.8	4.8	4.8	-	5.5	5.5	5.5	-	6.2	6.2	6.2	-	7.0	7.0	7.0	-	7.9	7.9	7.9	-

IDB: Entering Indoor Dry Bulb Temperature
 High and low pressures are measured at the liquid and suction service valves.
 Shaded area reflects ACCA (TVA) conditions
 kW = Total system power
 Amps = outdoor unit amps (comp.+fan)

EXPANDED COOLING DATA — GLXS3BN1810A*+ CAPTA2422A* (CONT.)

IDB		OUTDOOR AMBIENT TEMPERATURE																																			
		65						75						85						95						105						115					
		AIRFLOW		59	63	67	71	59		63	67	71	59		63	67	71	59		63	67	71	59		63	67	71	59		63	67	71					
80	MBh	18.4	18.6	19.2	20.0	18.2	18.5	19.0	19.8	17.7	18.0	18.5	19.4	16.9	17.2	17.7	18.5	15.9	16.1	16.7	17.5	15.3	15.5	16.1	16.9	15.0	15.2	15.8	16.6								
	S/T	0.76	0.69	0.57	0.4	0.77	0.70	0.58	0.4	0.79	0.72	0.60	0.5	1.00	0.74	0.62	0.5	1.00	0.76	0.64	0.5	1.00	0.88	0.76	0.6	1.00	0.81	0.68	0.6								
	ΔT	33	31	27	23	33	31	27	23	33	31	27	23	33	31	27	23	33	30	26	22	34	32	28	24	34	32	28	24								
	kW	1.19	1.19	1.18	1.2	1.32	1.31	1.31	1.3	1.46	1.46	1.46	1.5	1.61	1.61	1.61	1.6	1.79	1.79	1.79	1.8	1.99	1.99	1.99	2.0	1.99	1.99	1.99	2.0								
	Amps	4.2	4.2	4.2	4.2	4.8	4.8	4.8	4.8	5.4	5.4	5.4	5.5	6.1	6.1	6.1	6.2	6.9	6.9	6.9	7.0	7.9	7.9	7.9	7.9	7.9	7.9	7.9	7.9								
625	MBh	18.7	18.9	19.5	20.3	18.5	18.8	19.3	20.1	18.0	18.3	18.8	19.7	17.2	17.5	18.0	18.8	16.2	16.4	17.0	17.8	15.3	15.5	16.1	16.9	15.0	15.2	15.8	16.6								
	S/T	0.84	0.77	0.64	0.5	0.84	0.77	0.65	0.5	1.00	0.80	0.67	0.5	1.00	0.81	0.69	0.6	1.00	0.83	0.71	0.6	1.00	0.88	0.76	0.6	1.00	0.81	0.68	0.6								
	ΔT	31	29	25	21	31	29	25	21	31	29	25	21	31	29	25	21	31	29	25	21	32	30	26	22	32	30	26	22								
	kW	1.20	1.19	1.19	1.20	1.32	1.32	1.32	1.33	1.47	1.47	1.46	1.47	1.62	1.62	1.62	1.63	1.79	1.79	1.79	1.80	2.00	2.00	2.00	2.00	2.00	2.00	2.00	2.00								
	Amps	4.2	4.2	4.2	4.3	4.8	4.8	4.8	4.8	5.5	5.5	5.5	5.5	6.2	6.2	6.2	6.2	7.0	7.0	7.0	7.0	7.9	7.9	7.9	7.9	7.9	7.9	7.9	7.9								
675	MBh	18.8	19.1	19.6	20.5	18.7	18.9	19.5	20.3	18.2	18.5	19.0	19.8	17.4	17.6	18.2	19.0	16.4	16.6	17.2	18.0	15.4	15.7	16.3	17.1	15.1	15.4	16.0	16.8								
	S/T	0.86	0.79	0.67	0.5	0.86	0.80	0.67	0.5	1.00	0.82	0.69	0.6	1.00	0.84	0.71	0.6	1.00	0.86	0.73	0.6	1.00	0.90	0.78	0.6	1.00	0.83	0.70	0.6								
	ΔT	30	28	24	20	30	28	24	20	31	29	25	20	30	28	24	20	30	28	24	20	31	29	25	21	31	29	25	21								
	kW	1.20	1.20	1.20	1.2	1.33	1.33	1.32	1.3	1.47	1.47	1.47	1.5	1.63	1.62	1.62	1.6	1.80	1.80	1.80	1.8	2.00	2.00	2.00	2.00	2.00	2.00	2.00	2.00								
	Amps	4.2	4.2	4.2	4.3	4.8	4.8	4.8	4.9	5.5	5.5	5.5	5.5	6.2	6.2	6.2	6.2	7.0	7.0	7.0	7.0	7.9	7.9	7.9	7.9	7.9	7.9	7.9	7.9								

IDB		OUTDOOR AMBIENT TEMPERATURE																																			
		65						75						85						95						105						115					
		AIRFLOW		59	63	67	71	59		63	67	71	59		63	67	71	59		63	67	71	59		63	67	71	59		63	67	71					
85	MBh	18.7	18.9	19.5	20.3	18.5	18.8	19.3	20.1	18.0	18.3	18.8	19.7	17.2	17.5	18.0	18.8	16.2	16.5	17.0	17.8	15.3	15.5	16.1	16.9	15.0	15.2	15.8	16.6								
	S/T	1.00	0.78	0.66	0.5	1.00	0.79	0.67	0.5	1.00	0.81	0.69	0.6	1.00	0.83	0.71	0.6	1.00	0.85	0.73	0.6	1.00	1.00	0.77	0.6	1.00	0.81	0.68	0.6								
	ΔT	37	35	31	27	37	35	31	27	37	35	31	27	37	35	31	27	37	35	31	26	38	36	32	28	38	36	32	28								
	kW	1.19	1.19	1.19	1.2	1.32	1.32	1.31	1.3	1.46	1.46	1.46	1.5	1.62	1.61	1.61	1.6	1.79	1.79	1.79	1.8	1.99	1.99	1.99	2.0	1.99	1.99	1.99	2.0								
	Amps	4.2	4.2	4.2	4.2	4.8	4.8	4.8	4.8	5.4	5.4	5.4	5.5	6.2	6.1	6.1	6.2	6.9	6.9	6.9	7.0	7.9	7.9	7.9	7.9	7.9	7.9	7.9	7.9								
625	MBh	19.0	19.2	19.8	20.6	18.8	19.1	19.6	20.4	18.3	18.6	19.1	20.0	17.5	17.8	18.3	19.1	16.5	16.8	17.3	18.1	15.6	15.8	16.4	17.2	15.3	15.5	16.1	16.9								
	S/T	1.00	0.86	0.74	0.6	1.00	0.87	0.74	0.6	1.00	0.89	0.76	0.6	1.00	0.91	0.78	0.7	1.00	1.00	0.80	0.7	1.00	1.00	0.85	0.7	1.00	0.81	0.68	0.6								
	ΔT	35	33	29	25	35	33	29	25	36	34	30	25	35	33	29	25	35	33	29	25	36	34	30	26	36	34	30	26								
	kW	1.20	1.20	1.20	1.20	1.33	1.33	1.32	1.33	1.47	1.47	1.47	1.48	1.62	1.62	1.62	1.63	1.80	1.80	1.79	1.80	2.00	2.00	2.00	2.01	2.00	2.00	2.00	2.01								
	Amps	4.2	4.2	4.2	4.3	4.8	4.8	4.8	4.9	5.5	5.5	5.5	5.5	6.2	6.2	6.2	6.2	7.0	7.0	7.0	7.0	7.9	7.9	7.9	7.9	7.9	7.9	7.9	7.9								
675	MBh	19.1	19.4	20.0	20.8	19.0	19.2	19.8	20.6	18.5	18.8	19.3	20.1	17.7	17.9	18.5	19.3	16.7	16.9	17.5	18.3	15.8	16.0	16.6	17.4	15.5	15.7	16.3	17.1								
	S/T	1.00	0.88	0.76	0.6	1.00	0.89	0.76	0.6	1.00	0.91	0.79	0.7	1.00	0.93	0.80	0.7	1.00	1.00	0.82	0.7	1.00	1.00	0.87	0.7	1.00	0.81	0.68	0.6								
	ΔT	35	33	29	24	35	32	29	24	35	33	29	25	35	32	28	24	34	32	28	24	36	34	30	25	36	34	30	25								
	kW	1.20	1.20	1.20	1.2	1.33	1.33	1.33	1.33	1.47	1.47	1.47	1.5	1.63	1.63	1.62	1.6	1.80	1.80	1.80	1.8	2.00	2.00	2.00	2.0	2.00	2.00	2.00	2.0								
	Amps	4.3	4.3	4.2	4.3	4.8	4.8	4.8	4.9	5.5	5.5	5.5	5.5	6.2	6.2	6.2	6.2	7.0	7.0	7.0	7.0	7.9	7.9	7.9	7.9	7.9	7.9	7.9	7.9								

IDB: Entering Indoor Dry Bulb Temperature
 High and low pressures are measured at the liquid and suction service valves.
 Shaded area reflects AHRI conditions
 kW = Total system power
 Amps = outdoor unit amps (comp.+fan)

EXPANDED COOLING DATA — GLXS3BN2410A*+ CAPTA2422A*

IDB		OUTDOOR AMBIENT TEMPERATURE																																			
		65						75						85						95						105						115					
		AIRFLOW				ENTERING INDOOR WET BULB TEMPERATURE				ENTERING INDOOR WET BULB TEMPERATURE				ENTERING INDOOR WET BULB TEMPERATURE				ENTERING INDOOR WET BULB TEMPERATURE				ENTERING INDOOR WET BULB TEMPERATURE				ENTERING INDOOR WET BULB TEMPERATURE				ENTERING INDOOR WET BULB TEMPERATURE							
	59	63	67	71	59	63	67	71	59	63	67	71	59	63	67	71	59	63	67	71	59	63	67	71	59	63	67	71									
700	MBh	23.7	24.0	24.7	-	23.5	23.8	24.5	-	22.9	23.2	23.9	-	21.8	22.2	22.9	-	20.6	20.9	21.6	-	20.6	20.9	21.6	-	19.4	19.7	20.4	-								
	S/T	0.63	0.56	0.43	-	0.64	0.57	0.44	-	0.66	0.59	0.46	-	0.68	0.61	0.48	-	0.70	0.63	0.50	-	0.70	0.63	0.50	-	0.75	0.68	0.55	-								
	ΔT	21	19	15	-	21	19	15	-	21	19	15	-	21	19	15	-	20	18	15	-	20	18	15	-	22	20	16	-								
	kW	1.50	1.50	1.50	-	1.67	1.67	1.67	-	1.87	1.86	1.86	-	2.07	2.07	2.07	-	2.31	2.30	2.30	-	2.31	2.30	2.30	-	2.58	2.58	2.57	-								
	Amps	5.5	5.5	5.4	-	6.2	6.2	6.2	-	7.1	7.1	7.1	-	8.1	8.1	8.1	-	9.1	9.1	9.1	-	9.1	9.1	9.1	-	10.4	10.4	10.4	-								
800	MBh	24.1	24.5	25.2	-	23.9	24.3	25.0	-	23.3	23.6	24.3	-	22.3	22.6	23.3	-	21.0	21.3	22.0	-	21.0	21.3	22.0	-	19.8	20.1	20.8	-								
	S/T	0.67	0.59	0.47	-	0.67	0.60	0.47	-	0.70	0.62	0.50	-	0.71	0.64	0.51	-	0.74	0.66	0.53	-	0.74	0.66	0.53	-	1.00	0.71	0.58	-								
	ΔT	20	18	14	-	20	17	14	-	20	18	14	-	20	17	14	-	19	17	13	-	19	17	13	-	21	18	15	-								
	kW	1.51	1.51	1.51	-	1.68	1.68	1.68	-	1.87	1.87	1.87	-	2.08	2.08	2.08	-	2.31	2.31	2.31	-	2.31	2.31	2.31	-	2.59	2.59	2.58	-								
	Amps	5.5	5.5	5.5	-	6.3	6.3	6.3	-	7.2	7.2	7.1	-	8.1	8.1	8.1	-	9.2	9.2	9.2	-	9.2	9.2	9.2	-	10.4	10.4	10.4	-								
900	MBh	24.7	25.0	25.7	-	24.5	24.8	25.5	-	23.8	24.2	24.9	-	22.8	23.1	23.8	-	21.5	21.8	22.5	-	21.5	21.8	22.5	-	20.3	20.7	21.4	-								
	S/T	0.67	0.60	0.47	-	0.68	0.61	0.48	-	0.70	0.63	0.50	-	0.72	0.65	0.52	-	0.74	0.67	0.54	-	0.74	0.67	0.54	-	1.00	0.72	0.59	-								
	ΔT	19	17	13	-	18	16	13	-	19	17	13	-	18	16	13	-	18	16	12	-	18	16	12	-	19	17	14	-								
	kW	1.52	1.52	1.51	-	1.69	1.69	1.69	-	1.88	1.88	1.88	-	2.09	2.09	2.09	-	2.32	2.32	2.32	-	2.32	2.32	2.32	-	2.59	2.59	2.59	-								
	Amps	5.5	5.5	5.5	-	6.3	6.3	6.3	-	7.2	7.2	7.2	-	8.1	8.1	8.1	-	9.2	9.2	9.2	-	9.2	9.2	9.2	-	10.5	10.5	10.4	-								

IDB		OUTDOOR AMBIENT TEMPERATURE																																			
		65						75						85						95						105						115					
		AIRFLOW				ENTERING INDOOR WET BULB TEMPERATURE				ENTERING INDOOR WET BULB TEMPERATURE				ENTERING INDOOR WET BULB TEMPERATURE				ENTERING INDOOR WET BULB TEMPERATURE				ENTERING INDOOR WET BULB TEMPERATURE				ENTERING INDOOR WET BULB TEMPERATURE				ENTERING INDOOR WET BULB TEMPERATURE							
	59	63	67	71	59	63	67	71	59	63	67	71	59	63	67	71	59	63	67	71	59	63	67	71	59	63	67	71									
700	MBh	23.7	24.1	24.8	25.8	23.5	23.8	24.5	25.6	22.9	23.2	23.9	25.0	21.8	22.2	22.9	23.9	20.6	20.9	21.6	22.7	20.6	20.9	21.6	22.7	19.4	19.7	20.4	21.5								
	S/T	0.75	0.68	0.55	0.4	0.76	0.69	0.56	0.4	0.78	0.71	0.58	0.4	0.80	0.73	0.60	0.5	1.00	0.75	0.62	0.5	1.00	0.75	0.62	0.5	1.00	0.80	0.67	0.5								
	ΔT	25	23	19	15	25	23	19	15	25	23	20	16	25	23	19	15	25	23	19	15	25	23	19	15	26	24	20	16								
	kW	1.50	1.50	1.50	1.5	1.67	1.67	1.67	1.7	1.86	1.86	1.86	1.9	2.07	2.07	2.07	2.1	2.30	2.30	2.30	2.3	2.30	2.30	2.30	2.3	2.58	2.58	2.57	2.6								
	Amps	5.5	5.4	5.4	5.5	6.2	6.2	6.2	6.3	7.1	7.1	7.1	7.2	8.1	8.1	8.1	8.1	9.1	9.1	9.1	9.2	9.1	9.1	9.1	9.2	10.4	10.4	10.4	10.4								
800	MBh	24.1	24.5	25.2	26.2	23.9	24.3	25.0	26.0	23.3	23.7	24.4	25.4	22.3	22.6	23.3	24.4	21.0	21.3	22.0	23.1	21.0	21.3	22.0	23.1	19.8	20.1	20.8	21.9								
	S/T	0.79	0.72	0.59	0.5	0.79	0.72	0.59	0.5	0.82	0.75	0.62	0.5	1.00	0.76	0.64	0.5	1.00	0.79	0.66	0.5	1.00	0.79	0.66	0.5	1.00	0.83	0.71	0.6								
	ΔT	24	22	18	14	24	22	18	14	24	22	18	14	24	22	18	14	24	22	18	14	24	22	18	14	25	23	19	15								
	kW	1.51	1.51	1.50	1.52	1.68	1.68	1.68	1.69	1.87	1.87	1.87	1.88	2.08	2.08	2.08	2.09	2.31	2.31	2.31	2.32	2.31	2.31	2.31	2.32	2.59	2.58	2.58	2.59								
	Amps	5.5	5.5	5.5	5.5	6.3	6.3	6.3	6.3	7.2	7.2	7.1	7.2	8.1	8.1	8.1	8.2	9.2	9.2	9.2	9.2	9.2	9.2	9.2	9.2	10.4	10.4	10.4	10.5								
900	MBh	24.7	25.0	25.7	26.8	24.5	24.8	25.5	26.6	23.9	24.2	24.9	26.0	22.8	23.1	23.8	24.9	21.5	21.8	22.5	23.6	21.5	21.8	22.5	23.6	20.3	20.7	21.4	22.4								
	S/T	0.80	0.72	0.60	0.5	0.80	0.73	0.60	0.5	0.83	0.75	0.63	0.5	1.00	0.77	0.64	0.5	1.00	0.79	0.66	0.5	1.00	0.79	0.66	0.5	1.00	0.84	0.71	0.6								
	ΔT	23	21	17	13	23	21	17	13	23	21	17	13	23	21	17	13	23	21	17	13	23	21	17	13	24	22	18	14								
	kW	1.52	1.52	1.51	1.5	1.69	1.69	1.68	1.7	1.88	1.88	1.88	1.9	2.09	2.09	2.08	2.1	2.32	2.32	2.32	2.3	2.32	2.32	2.32	2.3	2.59	2.59	2.59	2.6								
	Amps	5.5	5.5	5.5	5.6	6.3	6.3	6.3	6.4	7.2	7.2	7.2	7.2	8.1	8.1	8.1	8.2	9.2	9.2	9.2	9.2	9.2	9.2	9.2	9.2	10.5	10.4	10.4	10.5								

IDB: Entering Indoor Dry Bulb Temperature
 High and low pressures are measured at the liquid and suction service valves.
 Shaded area reflects ACCA (TVA) conditions
 kW = Total system power
 Amps = outdoor unit amps (comp.+fan)

EXPANDED COOLING DATA — GLXS3BN2410A*+ CAPTA2422A* (CONT.)

IDB		OUTDOOR AMBIENT TEMPERATURE																																															
		65								75								85								95								105								115							
		AIRFLOW		59	63	67	71	59	63	67	71	ENTERING INDOOR WET BULB TEMPERATURE				59	63	67	71	ENTERING INDOOR WET BULB TEMPERATURE				59	63	67	71	ENTERING INDOOR WET BULB TEMPERATURE				59	63	67	71	ENTERING INDOOR WET BULB TEMPERATURE				59	63	67	71						
700	MBh	23.8	24.2	24.9	25.9	23.6	24.0	24.7	25.7	23.0	23.4	24.1	25.1	22.0	22.3	23.0	24.1	20.7	21.0	21.7	22.8	23.0	23.4	24.1	25.1	22.0	22.3	23.0	24.1	20.7	21.0	21.7	22.8	19.5	19.8	20.5	21.6												
	S/T	0.87	0.80	0.67	0.5	0.88	0.81	0.68	0.5	1.00	0.83	0.70	0.6	1.00	0.85	0.72	0.6	1.00	0.87	0.74	0.6	1.00	0.85	0.72	0.6	1.00	0.85	0.72	0.6	1.00	0.87	0.74	0.6	1.00	0.92	0.79	0.7												
	ΔT	30	28	24	20	30	28	24	20	30	28	24	20	30	28	24	20	29	27	24	20	31	29	25	21	31	29	25	21	31	29	25	21	31	29	25	21												
	kW	1.50	1.50	1.50	1.5	1.67	1.67	1.67	1.7	1.87	1.86	1.86	1.9	2.07	2.07	2.07	2.1	2.31	2.30	2.30	2.3	2.58	2.58	2.58	2.6	2.58	2.58	2.58	2.6	2.58	2.58	2.58	2.6	2.58	2.58	2.58	2.6												
	Amps	5.5	5.5	5.4	5.5	6.2	6.2	6.2	6.3	7.1	7.1	7.1	7.2	8.1	8.1	8.1	8.1	9.1	9.1	9.1	9.2	10.4	10.4	10.4	10.4	10.4	10.4	10.4	10.4	10.4	10.4	10.4	10.4	10.4	10.4	10.4	10.4												
800	MBh	24.3	24.6	25.3	26.4	24.1	24.4	25.1	26.2	23.4	23.8	24.5	25.5	22.4	22.7	23.4	24.5	21.1	21.4	22.1	23.2	23.4	23.8	24.5	25.5	22.4	22.7	23.4	24.5	21.1	21.4	22.1	23.2	19.9	20.3	21.0	22.0												
	S/T	0.91	0.84	0.71	0.6	1.00	0.84	0.71	0.6	1.00	0.87	0.74	0.6	1.00	0.88	0.76	0.6	1.00	0.90	0.78	0.6	1.00	0.88	0.76	0.6	1.00	0.88	0.76	0.6	1.00	0.90	0.78	0.6	1.00	1.00	0.82	0.7												
	ΔT	29	27	23	19	28	26	23	19	29	27	23	19	28	26	23	19	28	26	22	18	29	27	24	20	29	27	24	20	29	27	24	20	29	27	24	20												
	kW	1.51	1.51	1.51	1.52	1.68	1.68	1.68	1.69	1.87	1.87	1.87	1.88	2.08	2.08	2.08	2.09	2.31	2.31	2.31	2.32	2.59	2.59	2.59	2.60	2.59	2.59	2.59	2.60	2.59	2.59	2.59	2.60	2.59	2.59	2.59	2.60												
	Amps	5.5	5.5	5.5	5.5	6.3	6.3	6.3	6.3	7.2	7.2	7.1	7.2	8.1	8.1	8.1	8.2	9.2	9.2	9.2	9.2	10.4	10.4	10.4	10.5	10.4	10.4	10.4	10.5	10.4	10.4	10.4	10.5	10.4	10.4	10.4	10.5												
900	MBh	24.8	25.1	25.8	26.9	24.6	24.9	25.6	26.7	24.0	24.3	25.0	26.1	22.9	23.3	24.0	25.0	21.6	22.0	22.7	23.7	24.0	24.3	25.0	26.1	22.9	23.3	24.0	25.0	21.6	22.0	22.7	23.7	20.5	20.8	21.5	22.6												
	S/T	0.92	0.84	0.71	0.6	1.00	0.85	0.72	0.6	1.00	0.87	0.74	0.6	1.00	0.89	0.76	0.6	1.00	0.91	0.78	0.6	1.00	0.89	0.76	0.6	1.00	0.89	0.76	0.6	1.00	1.00	0.83	0.7																
	ΔT	28	25	22	18	27	25	22	18	28	26	22	18	27	25	22	18	27	25	21	17	28	26	23	19	28	26	23	19	28	26	23	19																
	kW	1.52	1.52	1.51	1.5	1.69	1.69	1.69	1.7	1.88	1.88	1.88	1.9	2.09	2.09	2.08	2.1	2.32	2.32	2.32	2.3	2.59	2.59	2.59	2.6	2.59	2.59	2.59	2.6	2.59	2.59	2.59	2.6																
	Amps	5.5	5.5	5.5	5.6	6.3	6.3	6.3	6.4	7.2	7.2	7.2	7.2	8.1	8.1	8.1	8.2	9.2	9.2	9.2	9.2	10.5	10.5	10.5	10.5	10.5	10.5	10.5	10.5	10.5	10.5	10.5	10.5																

IDB		OUTDOOR AMBIENT TEMPERATURE																																															
		65								75								85								95								105								115							
		AIRFLOW		59	63	67	71	59	63	67	71	ENTERING INDOOR WET BULB TEMPERATURE				59	63	67	71	ENTERING INDOOR WET BULB TEMPERATURE				59	63	67	71	ENTERING INDOOR WET BULB TEMPERATURE				59	63	67	71	ENTERING INDOOR WET BULB TEMPERATURE				59	63	67	71						
700	MBh	24.2	24.6	25.3	26.3	24.0	24.4	25.1	26.1	23.4	23.7	24.4	25.5	22.4	22.7	23.4	24.5	21.1	21.4	22.1	23.2	23.4	23.8	24.5	25.5	22.4	22.7	23.4	24.5	21.1	21.4	22.1	23.2	19.9	20.2	20.9	22.0												
	S/T	1.00	0.90	0.77	0.6	1.00	0.90	0.77	0.6	1.00	0.93	0.80	0.7	1.00	0.94	0.82	0.7	1.00	1.00	0.84	0.7	1.00	0.94	0.82	0.7	1.00	0.94	0.82	0.7	1.00	1.00	0.89	0.8																
	ΔT	34	32	28	24	34	32	28	24	34	32	28	24	34	32	28	24	33	31	28	24	35	33	29	25	35	33	29	25	35	33	29	25																
	kW	1.50	1.50	1.50	1.5	1.68	1.68	1.67	1.7	1.87	1.87	1.86	1.9	2.08	2.08	2.07	2.1	2.31	2.31	2.30	2.3	2.58	2.58	2.58	2.6	2.58	2.58	2.58	2.6	2.58	2.58	2.58	2.6																
	Amps	5.5	5.5	5.5	5.5	6.3	6.3	6.2	6.3	7.1	7.1	7.1	7.2	8.1	8.1	8.1	8.1	9.2	9.2	9.1	9.2	10.4	10.4	10.4	10.4	10.4	10.4	10.4	10.4	10.4	10.4	10.4	10.4																
800	MBh	24.7	25.0	25.7	26.8	24.5	24.8	25.5	26.6	23.8	24.2	24.9	25.9	22.8	23.1	23.8	24.9	21.5	21.8	22.5	23.6	23.8	24.2	24.9	25.9	22.8	23.1	23.8	24.9	21.5	21.8	22.5	23.6	20.3	20.7	21.4	22.4												
	S/T	1.00	0.93	0.80	0.7	1.00	0.94	0.81	0.7	1.00	0.96	0.83	0.7	1.00	1.00	0.85	0.7	1.00	1.00	0.87	0.7	1.00	1.00	0.85	0.7	1.00	1.00	0.87	0.7	1.00	1.00	0.92	0.8																
	ΔT	33	31	27	23	32	30	27	23	33	31	27	23	32	30	27	23	32	30	26	22	33	31	28	24	33	31	28	24	33	31	28	24																
	kW	1.51	1.51	1.51	1.52	1.69	1.68	1.68	1.69	1.88	1.88	1.87	1.89	2.09	2.08	2.08	2.09	2.32	2.32	2.31	2.33	2.59	2.59	2.59	2.60	2.59	2.59	2.59	2.60	2.59	2.59	2.59	2.60																
	Amps	5.5	5.5	5.5	5.6	6.3	6.3	6.3	6.3	7.2	7.2	7.2	7.2	8.1	8.1	8.1	8.2	9.2	9.2	9.2	9.2	10.4	10.4	10.4	10.5	10.4	10.4	10.4	10.5	10.4	10.4	10.4	10.5																
900	MBh	25.2	25.5	26.2	27.3	25.0	25.3	26.0	27.1	24.4	24.7	25.4	26.5	23.3	23.6	24.3	25.4	22.0	22.4	23.1	24.1	24.4	24.7	25.4	26.5	23.3	23.6	24.3	25.4	22.0	22.4	23.1	24.1	20.9	21.2	21.9	23.0												
	S/T	1.00	0.94	0.81	0.7	1.00	0.94	0.82	0.7	1.00	0.97	0.84	0.7	1.00	1.00	0.86	0.7	1.00	1.00	0.88	0.7	1.00	1.00	0.86	0.7	1.00	1.00	0.88	0.7	1.00	1.00	0.93	0.8																
	ΔT	32	29	26	22	31	29	26	22	32	30	26	22	31	29	26	22	31	29	25	21	32	30	27	23	32	30	27	23	32	30	27	23																
	kW	1.52	1.52	1.52	1.5	1.69	1.69	1.69	1.7	1.88	1.88	1.88	1.9	2.09	2.09	2.09	2.1	2.32	2.32	2.32	2.3	2.60	2.60	2.60	2.6	2.60	2.60	2.60	2.6	2.60	2.60	2.60	2.6																
	Amps	5.5	5.5	5.5	5.6	6.3	6.3	6.3	6.4	7.2	7.2	7.2	7.3	8.2	8.2	8.1	8.2	9.2	9.2	9.2	9.2	10.5	10.5	10.5	10.5	10.5	10.5	10.5	10.5	10.5	10.5	10.5	10.5																

IDB: Entering Indoor Dry Bulb Temperature
 High and low pressures are measured at the liquid and suction service valves.
 Shaded area reflects AHRI conditions
 kW = Total system power
 Amps = outdoor unit amps (comp.+fan)

EXPANDED COOLING DATA — GLXS3BN3010A*+ CAPTA3026A*

IDB		OUTDOOR AMBIENT TEMPERATURE																																															
		65						75						85						95						105						115																	
		AIRFLOW		59	63	67	71	59		63	67	71	59		63	67	71	59		63	67	71	59		63	67	71	59		63	67	71																	
70	MBh	29.2	29.6	30.5	-	29.0	29.4	30.2	-	28.2	28.6	29.5	-	26.9	27.3	28.2	-	25.3	25.7	26.6	-	23.8	24.3	25.1	-	29.2	29.6	30.5	-	29.0	29.4	30.2	-	28.2	28.6	29.5	-	26.9	27.3	28.2	-	25.3	25.7	26.6	-	23.8	24.3	25.1	-
	S/T	0.62	0.54	0.41	-	0.62	0.55	0.42	-	0.65	0.57	0.44	-	0.67	0.59	0.46	-	0.69	0.61	0.48	-	0.74	0.66	0.53	-	0.62	0.54	0.41	-	0.62	0.55	0.42	-	0.65	0.57	0.44	-	0.67	0.59	0.46	-	0.69	0.61	0.48	-	0.74	0.66	0.53	-
	ΔT	20	19	15	-	20	19	15	-	21	19	15	-	20	18	15	-	20	18	15	-	21	19	16	-	20	19	15	-	20	19	15	-	21	19	15	-	20	18	15	-	21	19	16	-	21	19	16	-
	kW	1.82	1.82	1.82	-	2.05	2.05	2.04	-	2.30	2.30	2.29	-	2.57	2.57	2.57	-	2.88	2.88	2.87	-	3.23	3.23	3.23	-	1.82	1.82	1.82	-	2.05	2.05	2.04	-	2.30	2.30	2.29	-	2.57	2.57	2.57	-	2.88	2.88	2.87	-	3.23	3.23	3.23	-
	Amps	6.9	6.9	6.9	-	8.0	8.0	7.9	-	9.1	9.1	9.1	-	10.4	10.4	10.3	-	11.8	11.7	11.7	-	13.4	13.4	13.4	-	6.9	6.9	6.9	-	8.0	8.0	7.9	-	9.1	9.1	9.1	-	10.4	10.4	10.3	-	11.8	11.7	11.7	-	13.4	13.4	13.4	-
950	MBh	29.5	29.9	30.8	-	29.2	29.6	30.5	-	28.5	28.9	29.7	-	27.2	27.6	28.4	-	25.6	26.0	26.8	-	24.1	24.5	25.4	-	29.5	29.9	30.8	-	29.2	29.6	30.5	-	28.5	28.9	29.7	-	27.2	27.6	28.4	-	25.6	26.0	26.8	-	24.1	24.5	25.4	-
	S/T	0.65	0.58	0.44	-	0.66	0.58	0.45	-	0.68	0.61	0.47	-	0.70	0.62	0.49	-	0.72	0.65	0.51	-	0.77	0.70	0.56	-	0.65	0.58	0.44	-	0.66	0.58	0.45	-	0.68	0.61	0.47	-	0.70	0.62	0.49	-	0.72	0.65	0.51	-	0.77	0.70	0.56	-
	ΔT	20	18	14	-	20	18	14	-	20	18	14	-	20	18	14	-	20	18	14	-	21	19	15	-	20	18	14	-	20	18	14	-	20	18	14	-	20	18	14	-	20	18	14	-	21	19	15	-
	kW	1.83	1.83	1.82	-	2.06	2.05	2.05	-	2.31	2.31	2.30	-	2.58	2.58	2.57	-	2.88	2.88	2.88	-	3.24	3.24	3.24	-	1.83	1.83	1.82	-	2.06	2.05	2.05	-	2.31	2.31	2.30	-	2.58	2.58	2.57	-	2.88	2.88	2.88	-	3.24	3.24	3.24	-
	Amps	7.0	7.0	6.9	-	8.0	8.0	8.0	-	9.1	9.1	9.1	-	10.4	10.4	10.4	-	11.8	11.8	11.8	-	13.4	13.4	13.4	-	7.0	7.0	6.9	-	8.0	8.0	8.0	-	9.1	9.1	9.1	-	10.4	10.4	10.4	-	11.8	11.8	11.8	-	13.4	13.4	13.4	-
1125	MBh	30.2	30.6	31.5	-	29.9	30.3	31.2	-	29.2	29.6	30.4	-	27.9	28.3	29.1	-	26.3	26.7	27.5	-	24.8	25.2	26.1	-	30.2	30.6	31.5	-	29.9	30.3	31.2	-	29.2	29.6	30.4	-	27.9	28.3	29.1	-	26.3	26.7	27.5	-	24.8	25.2	26.1	-
	S/T	0.69	0.62	0.48	-	0.70	0.62	0.49	-	0.72	0.65	0.51	-	0.74	0.67	0.53	-	0.76	0.69	0.55	-	1.00	0.74	0.60	-	0.69	0.62	0.48	-	0.70	0.62	0.49	-	0.72	0.65	0.51	-	0.74	0.67	0.53	-	0.76	0.69	0.55	-	1.00	0.74	0.60	-
	ΔT	18	16	13	-	18	16	13	-	19	17	13	-	18	16	13	-	18	16	12	-	19	17	14	-	18	16	13	-	18	16	13	-	19	17	13	-	18	16	12	-	18	16	12	-	19	17	14	-
	kW	1.84	1.84	1.84	-	2.07	2.07	2.06	-	2.32	2.32	2.32	-	2.59	2.59	2.59	-	2.90	2.90	2.89	-	3.26	3.25	3.25	-	1.84	1.84	1.84	-	2.07	2.07	2.06	-	2.32	2.32	2.32	-	2.59	2.59	2.59	-	2.90	2.90	2.89	-	3.26	3.25	3.25	-
	Amps	7.0	7.0	7.0	-	8.1	8.1	8.0	-	9.2	9.2	9.2	-	10.5	10.4	10.4	-	11.8	11.8	11.8	-	13.5	13.5	13.5	-	7.0	7.0	7.0	-	8.1	8.1	8.0	-	9.2	9.2	9.2	-	10.5	10.4	10.4	-	11.8	11.8	11.8	-	13.5	13.5	13.5	-

IDB		OUTDOOR AMBIENT TEMPERATURE																																															
		65						75						85						95						105						115																	
		AIRFLOW		59	63	67	71	59		63	67	71	59		63	67	71	59		63	67	71	59		63	67	71	59		63	67	71																	
75	MBh	29.2	29.7	30.5	31.9	29.0	29.4	30.3	31.6	28.2	28.6	29.5	30.8	26.9	27.3	28.2	29.5	25.3	25.7	26.6	27.9	23.9	24.3	25.1	26.5	29.2	29.7	30.5	31.9	29.0	29.4	30.3	31.6	28.2	28.6	29.5	30.8	26.9	27.3	28.2	29.5	25.3	25.7	26.6	27.9	23.9	24.3	25.1	26.5
	S/T	0.74	0.67	0.54	0.4	0.75	0.67	0.54	0.4	0.77	0.70	0.57	0.4	0.79	0.72	0.58	0.4	1.00	0.74	0.61	0.5	1.00	0.79	0.66	0.5	0.74	0.67	0.54	0.4	0.75	0.67	0.54	0.4	0.77	0.70	0.57	0.4	0.79	0.72	0.58	0.4	1.00	0.74	0.61	0.5	1.00	0.79	0.66	0.5
	ΔT	25	23	19	15	25	23	19	15	25	23	19	15	25	23	19	15	24	22	19	15	26	24	20	16	25	23	19	15	25	23	19	15	25	23	19	15	24	22	19	15	24	22	19	15	26	24	20	16
	kW	1.82	1.82	1.82	1.8	2.05	2.05	2.04	2.1	2.30	2.30	2.29	2.3	2.57	2.57	2.57	2.6	2.88	2.87	2.87	2.9	3.23	3.23	3.23	3.2	1.82	1.82	1.82	1.8	2.05	2.05	2.04	2.1	2.30	2.30	2.29	2.3	2.57	2.57	2.57	2.6	2.88	2.87	2.87	2.9	3.23	3.23	3.23	3.2
	Amps	6.9	6.9	6.9	7.0	8.0	7.9	7.9	8.0	9.1	9.1	9.1	9.2	10.4	10.3	10.3	10.4	11.7	11.7	11.7	11.8	13.4	13.4	13.4	13.4	6.9	6.9	6.9	7.0	8.0	7.9	7.9	8.0	9.1	9.1	9.1	9.2	10.4	10.3	10.3	10.4	11.7	11.7	11.7	11.8	13.4	13.4	13.4	13.4
950	MBh	29.5	29.9	30.8	32.1	29.2	29.6	30.5	31.8	28.5	28.9	29.8	31.1	27.2	27.6	28.4	29.8	25.6	26.0	26.9	28.2	24.1	24.5	25.4	26.7	29.5	29.9	30.8	32.1	29.2	29.6	30.5	31.8	28.5	28.9	29.8	31.1	27.2	27.6	28.4	29.8	25.6	26.0	26.9	28.2	24.1	24.5	25.4	26.7
	S/T	0.78	0.70	0.57	0.4	0.78	0.71	0.57	0.4	0.81	0.73	0.60	0.5	0.82	0.75	0.62	0.5	1.00	0.77	0.64	0.5	1.00	0.82	0.69	0.6	0.78	0.70	0.57	0.4	0.78	0.71	0.57	0.4	0.81	0.73	0.60	0.5	0.82	0.75	0.62	0.5	1.00	0.77	0.64	0.5	1.00	0.82	0.69	0.6
	ΔT	24	22	18	15	24	22	18	15	24	22	19	15	24	22	18	15	24	22	18	14	25	23	19	16	24	22	18	15	24	22	18	15	24	22	19	15	24	22	18	14	25	23	19	16				
	kW	1.83	1.83	1.82	1.84	2.05	2.05	2.05	2.07	2.31	2.30	2.30	2.32	2.58	2.58	2.57	2.59	2.88	2.88	2.88	2.89	3.24	3.24	3.23	3.25	1.83	1.83	1.82	1.84	2.05	2.05	2.05	2.07	2.31	2.30	2.30	2.32	2.58	2.57	2.59	2.59	2.88	2.88	2.88	2.89	3.24	3.24	3.23	3.25
	Amps	7.0	6.9	6.9	7.0	8.0	8.0	8.0	8.0	9.1	9.1	9.1	9.2	10.4	10.4	10.4	10.4	11.8	11.8	11.8	11.8	13.4	13.4	13.4	13.5	7.0	6.9	6.9	7.0	8.0	8.0	8.0	8.0	9.1	9.1	9.1	9.2	10.4	10.4	10.4	10.4	11.8	11.8	11.8	11.8	13.4	13.4	13.4	13.5
1125	MBh	30.2	30.6	31.5	32.8	29.9	30.4	31.2	32.6	29.2	29.6	30.5	31.8	27.9	28.3	29.2	30.5	26.3	26.7	27.6	28.9	24.8	25.2	26.1	27.4	30.2	30.6	31.5	32.8	29.9	30.4	31.2	32.6	29.2	29.6	30.5	31.8	27.9	28.3	29.2	30.5	26.3	26.7	27.6	28.9	24.8	25.2	26.1	27.4
	S/T	0.82	0.74	0.61	0.5	0.82	0.75	0.62	0.5	0.85	0.77	0.64	0.5	1.00	0.79	0.66	0.5	1.00	0.81	0.68	0.5	1.00	0.86	0.73	0.6	0.82	0.74	0.61	0.5	0.82	0.75	0.62	0.5	0.85	0.77	0.64	0.5	1.00	0.79	0.66	0.5	1.00	0.81	0.68	0.5	1.00	0.86	0.73	0.6
	ΔT	23	21	17	13	23	21	17	13	23	21	17	14	23	21	17	13	22	20	17	13	24	22	18	14	23	21	17	13	23	21	17	13	23	21	17	14	23	21	17	13	22	20	17	13	24	22	18	14
	kW	1.84	1.84	1.84	1.9	2.07	2.07	2.06	2.1	2.32	2.32	2.31	2.3	2.59	2.59	2.59	2.6	2.90	2.89	2.89	2.9	3.25	3.25	3.25	3.3	1.84	1.84	1.84	1.9	2.07	2.07	2.06	2.1	2.32	2.32	2.31	2.3	2.5											

EXPANDED COOLING DATA — GLXS3BN3010A*+ CAPTA3026A* (CONT.)

IDB		OUTDOOR AMBIENT TEMPERATURE																																			
		65						75						85						95						105						115					
		AIRFLOW				59		63		67		71		59		63		67		71		59		63		67		71		59		63		67		71	
		ENTERING INDOOR WET BULB TEMPERATURE																																			
80	MBh	29.4	29.8	30.7	32.0	29.1	29.5	30.4	31.7	28.4	28.8	29.7	31.0	27.1	27.5	28.4	29.7	25.5	25.9	26.8	28.1	24.0	24.4	25.3	26.6												
	S/T	0.86	0.79	0.66	0.5	0.87	0.80	0.66	0.5	1.00	0.82	0.69	0.5	1.00	0.84	0.71	0.6	1.00	0.86	0.73	0.6	1.00	0.91	0.78	0.6												
	ΔT	29	27	23	20	29	27	23	20	29	27	24	20	29	27	23	20	29	27	23	19	30	28	24	21												
	kW	1.82	1.82	1.82	1.8	2.05	2.05	2.04	2.1	2.30	2.30	2.29	2.3	2.57	2.57	2.57	2.6	2.88	2.87	2.87	2.9	3.23	3.23	3.23	3.2												
	Amps	6.9	6.9	6.9	7.0	8.0	8.0	7.9	8.0	9.1	9.1	9.1	9.2	10.4	10.4	10.3	10.4	11.8	11.7	11.7	11.8	13.4	13.4	13.4	13.4												
950	MBh	29.6	30.1	30.9	32.3	29.4	29.8	30.7	32.0	28.6	29.0	29.9	31.2	27.3	27.7	28.6	29.9	25.7	26.1	27.0	28.3	24.3	24.7	25.5	26.9												
	S/T	0.90	0.82	0.69	0.6	0.90	0.83	0.70	0.6	1.00	0.85	0.72	0.6	1.00	0.87	0.74	0.6	1.00	0.89	0.76	0.6	1.00	0.94	0.81	0.7												
	ΔT	28	26	23	19	28	26	23	19	29	27	23	19	28	26	23	19	28	26	22	19	29	27	24	20												
	kW	1.83	1.83	1.82	1.84	2.06	2.05	2.05	2.07	2.31	2.31	2.30	2.32	2.58	2.58	2.57	2.59	2.88	2.88	2.88	2.90	3.24	3.24	3.24	3.25												
	Amps	7.0	7.0	6.9	7.0	8.0	8.0	8.0	8.0	9.1	9.1	9.1	9.2	10.4	10.4	10.4	10.4	11.8	11.8	11.8	11.8	13.4	13.4	13.4	13.5												
1125	MBh	30.4	30.8	31.6	33.0	30.1	30.5	31.4	32.7	29.3	29.7	30.6	31.9	28.0	28.4	29.3	30.6	26.4	26.8	27.7	29.0	25.0	25.4	26.3	27.6												
	S/T	0.94	0.86	0.73	0.6	1.00	0.87	0.74	0.6	1.00	0.89	0.76	0.6	1.00	0.91	0.78	0.6	1.00	0.94	0.80	0.7	1.00	1.00	0.85	0.7												
	ΔT	27	25	21	18	27	25	21	18	27	25	22	18	27	25	21	18	27	25	21	17	28	26	22	19												
	kW	1.84	1.84	1.84	1.9	2.07	2.07	2.06	2.1	2.32	2.32	2.32	2.3	2.59	2.59	2.59	2.6	2.90	2.90	2.89	2.9	3.25	3.25	3.25	3.3												
	Amps	7.0	7.0	7.0	7.1	8.1	8.0	8.0	8.1	9.2	9.2	9.2	9.3	10.5	10.4	10.4	10.5	11.8	11.8	11.8	11.9	13.5	13.5	13.5	13.5												

875	MBh	29.9	30.3	31.2	32.5	29.6	30.0	30.9	32.2	28.9	29.3	30.1	31.5	27.6	28.0	28.8	30.2	26.0	26.4	27.2	28.6	24.5	24.9	25.8	27.1
	S/T	1.00	0.89	0.76	0.6	1.00	0.89	0.76	0.6	1.00	0.92	0.79	0.6	1.00	0.94	0.81	0.7	1.00	1.00	0.83	0.7	1.00	1.00	0.88	0.7
	ΔT	33	31	27	24	33	31	27	23	33	31	28	24	33	31	27	23	33	31	27	23	34	32	28	24
	kW	1.83	1.83	1.82	1.8	2.05	2.05	2.05	2.1	2.30	2.30	2.30	2.3	2.58	2.57	2.57	2.6	2.88	2.88	2.88	2.9	3.24	3.24	3.23	3.2
	Amps	6.9	6.9	6.9	7.0	8.0	8.0	8.0	8.0	9.1	9.1	9.1	9.2	10.4	10.4	10.4	10.4	11.8	11.8	11.7	11.8	13.4	13.4	13.4	13.5
950	MBh	30.1	30.5	31.4	32.7	29.9	30.3	31.2	32.5	29.1	29.5	30.4	31.7	27.8	28.2	29.1	30.4	26.2	26.6	27.5	28.8	24.8	25.2	26.0	27.4
	S/T	1.00	0.92	0.79	0.7	1.00	0.93	0.80	0.7	1.00	0.95	0.82	0.7	1.00	0.97	0.84	0.7	1.00	1.00	0.86	0.7	1.00	1.00	0.91	0.8
	ΔT	32	30	27	23	32	30	27	23	32	30	27	23	32	30	27	23	32	30	26	23	33	31	27	24
	kW	1.83	1.83	1.83	1.85	2.06	2.06	2.05	2.07	2.31	2.31	2.31	2.32	2.58	2.58	2.58	2.60	2.89	2.89	2.88	2.90	3.25	3.24	3.24	3.26
	Amps	7.0	7.0	7.0	7.0	8.0	8.0	8.0	8.1	9.2	9.2	9.1	9.2	10.4	10.4	10.4	10.5	11.8	11.8	11.8	11.9	13.4	13.4	13.4	13.5
1125	MBh	30.8	31.3	32.1	33.5	30.6	31.0	31.9	33.2	29.8	30.2	31.1	32.4	28.5	28.9	29.8	31.1	26.9	27.3	28.2	29.5	25.5	25.9	26.7	28.1
	S/T	1.00	0.96	0.83	0.7	1.00	0.97	0.84	0.7	1.00	0.99	0.86	0.7	1.00	1.00	0.88	0.7	1.00	1.00	0.90	0.8	1.00	1.00	0.95	0.8
	ΔT	31	29	25	21	31	29	25	21	31	29	25	22	31	29	25	21	30	28	25	21	32	30	26	22
	kW	1.85	1.85	1.84	1.9	2.07	2.07	2.07	2.1	2.33	2.32	2.32	2.3	2.60	2.60	2.59	2.6	2.90	2.90	2.90	2.9	3.26	3.26	3.25	3.3
	Amps	7.0	7.0	7.0	7.1	8.1	8.1	8.1	8.1	9.2	9.2	9.2	9.3	10.5	10.5	10.4	10.5	11.9	11.9	11.8	11.9	13.5	13.5	13.5	13.6

IDB: Entering Indoor Dry Bulb Temperature
 High and low pressures are measured at the liquid and suction service valves.
 Shaded area reflects AHRI conditions
 kW = Total system power
 Amps = outdoor unit amps (comp.+fan)

EXPANDED COOLING DATA — GLXS3BN3610A*+ CAPTA3626A*

IDB	AIRFLOW	OUTDOOR AMBIENT TEMPERATURE																							
		65				75				85				95				105				115			
		59	63	67	71	59	63	67	71	59	63	67	71	59	63	67	71	59	63	67	71	59	63	67	71
70	MBh	34.9	35.4	36.5	-	34.6	35.1	36.1	-	33.7	34.2	35.2	-	32.1	32.6	33.7	-	30.2	30.7	31.8	-	28.5	29.0	30.0	-
	S/T	0.63	0.55	0.42	-	0.64	0.56	0.42	-	0.66	0.58	0.45	-	1.00	0.60	0.47	-	1.00	0.63	0.49	-	1.00	0.68	0.54	-
	ΔT	20	18	15	-	20	18	15	-	20	18	15	-	20	18	15	-	20	18	14	-	21	19	15	-
	kW	2.19	2.19	2.19	-	2.46	2.46	2.45	-	2.75	2.75	2.75	-	3.08	3.07	3.07	-	3.43	3.43	3.43	-	3.85	3.85	3.85	-
	Amps	8.0	8.0	8.0	-	9.2	9.2	9.2	-	10.6	10.6	10.6	-	12.1	12.0	12.0	-	13.7	13.7	13.7	-	15.6	15.6	15.6	-
1050	MBh	35.3	35.7	36.8	-	34.9	35.4	36.5	-	34.0	34.5	35.6	-	32.5	33.0	34.0	-	30.6	31.0	32.1	-	28.8	29.3	30.3	-
	S/T	0.67	0.59	0.46	-	0.67	0.60	0.46	-	1.00	0.62	0.49	-	1.00	0.64	0.51	-	1.00	0.66	0.53	-	1.00	0.72	0.58	-
	ΔT	19	17	14	-	19	17	14	-	19	18	14	-	19	17	14	-	19	17	14	-	20	18	15	-
	kW	2.20	2.20	2.20	-	2.47	2.47	2.46	-	2.76	2.76	2.76	-	3.08	3.08	3.08	-	3.44	3.44	3.44	-	3.86	3.86	3.86	-
	Amps	8.1	8.1	8.0	-	9.3	9.3	9.2	-	10.6	10.6	10.6	-	12.1	12.1	12.1	-	13.7	13.7	13.7	-	15.7	15.6	15.6	-
1350	MBh	36.0	36.5	37.6	-	35.7	36.2	37.3	-	34.8	35.3	36.4	-	33.3	33.8	34.8	-	31.4	31.8	32.9	-	29.6	30.1	31.1	-
	S/T	0.71	0.63	0.50	-	0.72	0.64	0.50	-	1.00	0.66	0.53	-	1.00	0.68	0.55	-	1.00	0.71	0.57	-	1.00	1.00	0.62	-
	ΔT	18	16	13	-	18	16	12	-	18	16	13	-	18	16	12	-	18	16	12	-	19	17	13	-
	kW	2.22	2.22	2.21	-	2.48	2.48	2.48	-	2.78	2.78	2.77	-	3.10	3.10	3.09	-	3.46	3.46	3.45	-	3.88	3.88	3.87	-
	Amps	8.1	8.1	8.1	-	9.4	9.3	9.3	-	10.7	10.7	10.7	-	12.2	12.2	12.1	-	13.8	13.8	13.8	-	15.7	15.7	15.7	-

IDB	AIRFLOW	OUTDOOR AMBIENT TEMPERATURE																							
		65				75				85				95				105				115			
		59	63	67	71	59	63	67	71	59	63	67	71	59	63	67	71	59	63	67	71	59	63	67	71
75	MBh	34.9	35.4	36.5	38.1	34.6	35.1	36.2	37.8	33.7	34.2	35.3	36.8	32.2	32.7	33.7	35.3	30.3	30.7	31.8	33.4	28.5	29.0	30.0	31.6
	S/T	0.76	0.68	0.55	0.4	1.00	0.69	0.55	0.4	1.00	0.71	0.58	0.4	1.00	0.73	0.60	0.5	1.00	1.00	0.62	0.5	1.00	1.00	0.67	0.5
	ΔT	24	22	19	15	24	22	19	15	24	23	19	15	24	22	19	15	24	22	18	15	25	23	20	16
	kW	2.19	2.19	2.19	2.2	2.46	2.46	2.45	2.5	2.75	2.75	2.75	2.8	3.07	3.07	3.07	3.1	3.43	3.43	3.42	3.4	3.85	3.85	3.84	3.9
	Amps	8.0	8.0	8.0	8.1	9.2	9.2	9.2	9.3	10.6	10.6	10.6	10.6	12.0	12.0	12.0	12.1	13.7	13.7	13.7	13.7	15.6	15.6	15.6	15.7
1050	MBh	35.3	35.8	36.8	38.4	35.0	35.5	36.5	38.1	34.1	34.5	35.6	37.2	32.5	33.0	34.0	35.6	30.6	31.1	32.1	33.7	28.8	29.3	30.4	32.0
	S/T	0.80	0.72	0.58	0.4	1.00	0.73	0.59	0.4	1.00	0.75	0.62	0.5	1.00	0.77	0.64	0.5	1.00	1.00	0.66	0.5	1.00	1.00	0.71	0.6
	ΔT	23	22	18	14	23	21	18	14	24	22	18	15	23	21	18	14	23	21	18	14	24	22	19	15
	kW	2.20	2.20	2.20	2.22	2.47	2.46	2.46	2.48	2.76	2.76	2.76	2.78	3.08	3.08	3.08	3.10	3.44	3.44	3.43	3.45	3.86	3.86	3.85	3.87
	Amps	8.1	8.0	8.0	8.1	9.3	9.3	9.2	9.3	10.6	10.6	10.6	10.7	12.1	12.1	12.1	12.2	13.7	13.7	13.7	13.8	15.6	15.6	15.6	15.7
1350	MBh	36.1	36.6	37.6	39.2	35.8	36.2	37.3	38.9	34.8	35.3	36.4	38.0	33.3	33.8	34.8	36.4	31.4	31.9	32.9	34.5	29.6	30.1	31.2	32.7
	S/T	0.84	0.76	0.63	0.5	1.00	0.77	0.63	0.5	1.00	0.79	0.66	0.5	1.00	0.81	0.68	0.5	1.00	1.00	0.70	0.6	1.00	1.00	0.75	0.6
	ΔT	22	20	17	13	22	20	17	13	22	20	17	13	22	20	17	13	22	20	16	13	23	21	18	14
	kW	2.22	2.22	2.21	2.2	2.48	2.48	2.48	2.5	2.78	2.78	2.77	2.8	3.10	3.10	3.09	3.1	3.46	3.45	3.45	3.5	3.88	3.87	3.87	3.9
	Amps	8.1	8.1	8.1	8.2	9.3	9.3	9.3	9.4	10.7	10.7	10.7	10.8	12.2	12.2	12.1	12.2	13.8	13.8	13.8	13.9	15.7	15.7	15.7	15.8

IDB: Entering Indoor Dry Bulb Temperature
 High and low pressures are measured at the liquid and suction service valves.
 Shaded area reflects ACCA (TVA) conditions
 kW = Total system power
 Amps = outdoor unit amps (comp.+fan)

EXPANDED COOLING DATA — GLXS3BN3610A*+ CAPTA3626A* (CONT.)

IDB		OUTDOOR AMBIENT TEMPERATURE																																																				
		65						75						85						95						105						115																						
		AIRFLOW	59	63	67	71	75	59	63	67	71	75	59	63	67	71	75	59	63	67	71	75	59	63	67	71	75	59	63	67	71	75	59	63	67	71	75																	
		ENTERING INDOOR WET BULB TEMPERATURE																																																				
80	1050	MBh	35.1	35.6	36.7	38.2	34.8	35.3	36.3	37.9	33.9	34.4	35.4	37.0	32.3	32.8	33.9	35.5	30.4	30.9	32.0	33.6	28.7	29.2	30.2	31.8	1.00	0.81	0.67	0.5	1.00	0.84	0.70	0.6	1.00	0.72	0.6	1.00	0.74	0.6	1.00	0.6	0.6	1.00	0.74	0.6	1.00	0.80	0.7					
	S/T	1.00	0.81	0.67	0.5	1.00	0.81	0.68	0.5	1.00	0.84	0.70	0.6	1.00	0.72	0.6	1.00	0.74	0.6	1.00	0.74	0.6	1.00	0.72	0.6	1.00	0.6	0.6	1.00	0.74	0.6	1.00	0.80	0.7	1.00	0.6	0.6	1.00	0.74	0.6	1.00	0.80	0.7											
	ΔT	28	26	23	19	28	26	23	19	29	27	23	20	28	26	23	19	28	26	23	19	29	27	24	20	29	27	24	20	3.85	3.85	3.85	3.9	3.85	3.85	3.85	3.9	3.85	3.85	3.85	3.9	3.85	3.85	3.85	3.9	3.85	3.85	3.85	3.9	3.85	3.85	3.85	3.9	
	kW	2.19	2.19	2.19	2.2	2.46	2.46	2.45	2.5	2.75	2.75	2.75	2.8	3.07	3.07	3.07	3.1	3.43	3.43	3.43	3.4	3.43	3.43	3.43	3.4	3.85	3.85	3.85	3.9	3.85	3.85	3.85	3.9	3.85	3.85	3.85	3.9	3.85	3.85	3.85	3.9	3.85	3.85	3.85	3.9	3.85	3.85	3.85	3.9					
	Amps	8.0	8.0	8.0	8.1	9.2	9.2	9.2	9.3	10.6	10.6	10.6	10.7	12.1	12.0	12.0	12.1	13.7	13.7	13.7	13.8	13.7	13.7	13.7	13.8	15.6	15.6	15.6	15.7	15.6	15.6	15.6	15.7	15.6	15.6	15.6	15.7	15.6	15.6	15.6	15.7	15.6	15.6	15.6	15.7	15.6	15.6	15.6	15.7					
80	1150	MBh	35.5	35.9	37.0	38.6	35.1	35.6	36.7	38.3	34.2	34.7	35.8	37.4	32.7	33.2	34.2	35.8	30.8	31.2	32.3	33.9	29.0	29.5	30.5	32.1	1.00	0.85	0.71	0.6	1.00	0.76	0.6	1.00	0.78	0.6	1.00	0.78	0.6	1.00	0.78	0.6	1.00	0.78	0.6	1.00	0.78	0.6	1.00	0.78	0.6	1.00	0.78	0.6
	S/T	1.00	0.85	0.71	0.6	1.00	0.85	0.72	0.6	1.00	0.76	0.6	1.00	0.74	0.6	1.00	0.72	0.6	1.00	0.74	0.6	1.00	0.72	0.6	1.00	0.6	0.6	1.00	0.76	0.6	1.00	0.78	0.6	1.00	0.78	0.6	1.00	0.78	0.6	1.00	0.78	0.6	1.00	0.78	0.6	1.00	0.78	0.6						
	ΔT	28	26	22	19	28	26	22	18	28	26	22	19	28	26	22	18	28	26	22	18	27	25	22	18	28	27	23	19	3.86	3.86	3.86	3.88	3.86	3.86	3.86	3.88	3.86	3.86	3.86	3.88	3.86	3.86	3.86	3.88	3.86	3.86	3.86	3.88	3.86	3.86	3.86	3.88	
	kW	2.20	2.20	2.20	2.22	2.47	2.47	2.46	2.48	2.76	2.76	2.76	2.78	3.08	3.08	3.08	3.10	3.44	3.44	3.44	3.46	3.44	3.44	3.44	3.46	3.86	3.86	3.86	3.88	3.86	3.86	3.86	3.88	3.86	3.86	3.86	3.88	3.86	3.86	3.86	3.88	3.86	3.86	3.86	3.88	3.86	3.86	3.86	3.88					
	Amps	8.1	8.1	8.0	8.1	9.3	9.3	9.2	9.3	10.6	10.6	10.6	10.7	12.1	12.1	12.1	12.2	13.7	13.7	13.7	13.8	13.7	13.7	13.7	13.8	15.7	15.6	15.6	15.7	15.7	15.6	15.6	15.7	15.7	15.6	15.6	15.7	15.7	15.6	15.6	15.7	15.7	15.6	15.6	15.7	15.7	15.6	15.6	15.7					
80	1350	MBh	36.2	36.7	37.8	39.4	35.9	36.4	37.5	39.1	35.0	35.5	36.6	38.1	33.5	34.0	35.0	36.6	31.6	32.0	33.1	34.7	29.8	30.3	31.3	32.9	1.00	0.89	0.75	0.6	1.00	0.80	0.7	1.00	0.82	0.7	1.00	0.82	0.7	1.00	0.82	0.7	1.00	0.82	0.7	1.00	0.82	0.7	1.00	0.82	0.7			
	S/T	1.00	0.89	0.75	0.6	1.00	0.89	0.76	0.6	1.00	0.78	0.6	1.00	0.74	0.6	1.00	0.72	0.6	1.00	0.74	0.6	1.00	0.72	0.6	1.00	0.6	0.6	1.00	0.80	0.7	1.00	0.82	0.7	1.00	0.82	0.7	1.00	0.82	0.7	1.00	0.82	0.7	1.00	0.82	0.7									
	ΔT	26	24	21	17	26	24	21	17	27	25	21	17	26	24	21	17	26	24	21	17	26	24	21	17	27	25	22	18	3.88	3.88	3.88	3.9	3.88	3.88	3.88	3.9	3.88	3.88	3.88	3.9	3.88	3.88	3.88	3.9	3.88	3.88	3.88	3.9	3.88	3.88	3.88	3.9	
	kW	2.22	2.22	2.21	2.2	2.48	2.48	2.48	2.5	2.78	2.78	2.77	2.8	3.10	3.10	3.09	3.1	3.46	3.46	3.46	3.5	3.46	3.46	3.46	3.5	3.88	3.88	3.88	3.9	3.88	3.88	3.88	3.9	3.88	3.88	3.88	3.9	3.88	3.88	3.88	3.9	3.88	3.88	3.88	3.9	3.88	3.88	3.88	3.9					
	Amps	8.1	8.1	8.1	8.2	9.3	9.3	9.3	9.4	10.7	10.7	10.7	10.8	12.2	12.2	12.2	12.2	13.8	13.8	13.8	13.9	13.8	13.8	13.8	13.9	15.7	15.7	15.7	15.8	15.7	15.6	15.6	15.7	15.7	15.6	15.6	15.7	15.7	15.6	15.6	15.7	15.7	15.6	15.6	15.7	15.7	15.6	15.6	15.7					

IDB		OUTDOOR AMBIENT TEMPERATURE																																															
		65						75						85						95						105						115																	
		AIRFLOW	59	63	67	71	75	59	63	67	71	75	59	63	67	71	75	59	63	67	71	75	59	63	67	71	75	59	63	67	71	75	59	63	67	71	75												
		ENTERING INDOOR WET BULB TEMPERATURE																																															
85	1050	MBh	35.7	36.2	37.2	38.8	35.4	35.9	36.9	38.5	34.5	35.0	36.0	37.6	32.9	33.4	34.5	36.0	31.0	31.5	32.5	34.1	29.3	29.8	30.8	32.4	1.00	0.91	0.77	0.6	1.00	0.80	0.7	1.00	0.82	0.7	1.00	0.82	0.7	1.00	0.82	0.7	1.00	0.82	0.7	1.00	0.82	0.7	
	S/T	1.00	0.91	0.77	0.6	1.00	0.80	0.78	0.6	1.00	0.78	0.6	1.00	0.74	0.6	1.00	0.72	0.6	1.00	0.74	0.6	1.00	0.72	0.6	1.00	0.6	0.6	1.00	0.80	0.7	1.00	0.82	0.7	1.00	0.82	0.7	1.00	0.82	0.7	1.00	0.82	0.7							
	ΔT	32	30	27	23	32	30	27	23	32	30	27	23	32	30	27	23	32	30	26	23	33	31	28	24	33	31	28	24	3.86	3.86	3.86	3.9	3.86	3.86	3.86	3.9	3.86	3.86	3.86	3.9	3.86	3.86	3.86	3.9	3.86	3.86	3.86	3.9
	kW	2.20	2.20	2.19	2.2	2.46	2.46	2.46	2.5	2.76	2.76	2.75	2.8	3.08	3.08	3.07	3.1	3.44	3.44	3.44	3.5	3.44	3.44	3.44	3.5	3.86	3.86	3.86	3.9	3.86	3.86	3.86	3.9	3.86	3.86	3.86	3.9	3.86	3.86	3.86	3.9	3.86	3.86	3.86	3.9				
	Amps	8.0	8.0	8.0	8.1	9.3	9.2	9.2	9.3	10.6	10.6	10.6	10.7	12.1	12.1	12.0	12.1	13.7	13.7	13.7	13.8	13.7	13.7	13.7	13.8	15.6	15.6	15.6	15.7	15.6	15.6	15.6	15.7	15.6	15.6	15.6	15.7	15.6	15.6	15.6	15.7	15.6	15.6	15.6	15.7				
85	1150	MBh	36.0	36.5	37.6	39.2	35.7	36.2	37.3	38.8	34.8	35.3	36.3	37.9	33.3	33.7	34.8	36.4	31.3	31.8	32.9	34.5	29.6	30.1	31.1	32.7	1.00	0.95	0.81	0.7	1.00	0.84	0.7	1.00	0.86	0.7	1.00	0.86	0.7	1.00	0.86	0.7	1.00	0.86	0.7				
	S/T	1.00	0.95	0.81	0.7	1.00	0.84	0.82	0.7	1.00	0.82	0.7	1.00	0.78	0.6	1.00	0.76	0.6	1.00	0.78	0.6	1.00	0.76	0.6	1.00	0.6	0.6	1.00	0.84	0.7	1.00	0.86	0.7	1.00	0.86	0.7	1.00	0.86	0.7										
	ΔT	31	29	26	22	31	29	26	22	31	29	26	22	31	29	26	22	31	29	26	22	31	29	26	22	32	30	27	23	3.87	3.87	3.87	3.88	3.87	3.87	3.87	3.88	3.87	3.87	3.87	3.88	3.87	3.87	3.87	3.88				
	kW	2.21	2.21	2.20	2.22	2.47	2.47	2.47	2.49	2.77	2.77	2.76	2.78	3.09	3.09	3.08	3.10	3.45	3.44	3.44	3.46	3.45	3.44	3.44	3.46	3.87	3.87	3.87	3.88	3.87	3.87	3.87	3.88	3.87	3.87	3.87	3.88	3.87	3.87	3.87	3.88								
	Amps	8.1	8.1	8.1	8.1	9.3	9.3	9.3	9.4	10.7	10.6	10.6	10.7	12.1	12.1	12.1	12.2	13.8	13.7	13.7	13.8	13.8	13.7	13.7	13.8	15.7	15.7	15.7	15.8	15.7	15.6	15.6	15.7	15.7	15.6	15.6	15.7	15.7	15.6	15.6	15.7								
85	1350	MBh	36.8	37.3	38.4	39.9	36.5	37.0	38.1	39.6	35.6	36.1	37.1	38.7	34.0	34.5	35.6	37.2	32.1	32.6	33.7	35.3	30.4	30.9	31.9	33.5	1.00	1.00	0.85	0.7	1.00	0.88	0.7	1.00	0.90	0.8	1.00	0.90	0.8	1.00	0.90	0.8							
	S/T	1.00	1.00	0.85	0.7	1.00	0.88	0.86	0.7	1.00	0.86	0.7	1.00	0.84	0.7	1.00	0.82	0.7	1.00	0.84	0.7	1.00	0.82	0.7	1.00	0.7	0.7	1.00	0.88	0.7	1.00	0.90	0.8	1.00	0.														

EXPANDED COOLING DATA — GLXS3BN4210A*+ CAPTA4230A*

IDB		OUTDOOR AMBIENT TEMPERATURE																											
		65				75				85				95				105				115							
		59	63	67	71	59	63	67	71	59	63	67	71	59	63	67	71	59	63	67	71	59	63	67	71				
		ENTERING INDOOR WET BULB TEMPERATURE																											
AIRFLOW		59	63	67	71	59	63	67	71	59	63	67	71	59	63	67	71	59	63	67	71	59	63	67	71	59	63	67	71
70	1225	MBh	40.3	40.8	42.0	-	39.9	40.5	41.7	-	38.9	39.4	40.6	-	37.1	37.6	38.8	-	34.9	35.4	36.6	-	32.8	33.4	34.6	-			
		S/T	0.62	0.54	0.41	-	0.62	0.55	0.41	-	0.65	0.57	0.44	-	0.67	0.59	0.46	-	1.00	0.61	0.48	-	1.00	0.67	0.53	-			
		ΔT	20	18	15	-	20	18	14	-	20	18	15	-	20	18	14	-	20	18	14	-	21	19	15	-			
		kW	2.61	2.61	2.61	-	2.89	2.89	2.89	-	3.21	3.21	3.20	-	3.55	3.55	3.54	-	3.93	3.92	3.92	-	4.37	4.37	4.37	-			
		Amps	9.2	9.2	9.2	-	10.5	10.5	10.5	-	11.9	11.9	11.9	-	13.5	13.5	13.5	-	15.2	15.2	15.2	-	17.3	17.2	17.2	-			
70	1365	MBh	40.7	41.3	42.5	-	40.4	40.9	42.1	-	39.3	39.9	41.1	-	37.5	38.1	39.3	-	35.3	35.9	37.1	-	33.3	33.8	35.0	-			
		S/T	0.67	0.59	0.45	-	0.67	0.60	0.46	-	0.70	0.62	0.48	-	1.00	0.64	0.50	-	1.00	0.66	0.53	-	1.00	0.71	0.58	-			
		ΔT	19	17	14	-	19	17	14	-	19	17	14	-	19	17	14	-	19	17	13	-	20	18	14	-			
		kW	2.63	2.62	2.62	-	2.91	2.90	2.90	-	3.22	3.22	3.21	-	3.56	3.56	3.55	-	3.94	3.94	3.93	-	4.38	4.38	4.38	-			
		Amps	9.3	9.2	9.2	-	10.5	10.5	10.5	-	12.0	12.0	11.9	-	13.5	13.5	13.5	-	15.3	15.3	15.2	-	17.3	17.3	17.3	-			
70	1575	MBh	41.5	42.1	43.3	-	41.2	41.7	42.9	-	40.1	40.7	41.9	-	38.3	38.9	40.1	-	36.1	36.7	37.9	-	34.1	34.6	35.8	-			
		S/T	0.70	0.63	0.49	-	0.71	0.63	0.50	-	0.73	0.66	0.52	-	1.00	0.68	0.54	-	1.00	0.70	0.56	-	1.00	0.75	0.62	-			
		ΔT	18	16	12	-	18	16	12	-	18	16	13	-	18	16	12	-	17	16	12	-	19	17	13	-			
		kW	2.64	2.64	2.63	-	2.92	2.92	2.91	-	3.23	3.23	3.23	-	3.57	3.57	3.57	-	3.95	3.95	3.95	-	4.40	4.40	4.39	-			
		Amps	9.3	9.3	9.3	-	10.6	10.6	10.6	-	12.0	12.0	12.0	-	13.6	13.6	13.6	-	15.3	15.3	15.3	-	17.4	17.4	17.3	-			

75	1225	MBh	40.3	40.9	42.1	43.9	39.9	40.5	41.7	43.5	38.9	39.5	40.7	42.5	37.1	37.7	38.9	40.7	34.9	35.4	36.6	38.5	32.9	33.4	34.6	36.5
		S/T	0.75	0.67	0.54	0.4	0.75	0.68	0.54	0.4	1.00	0.70	0.57	0.4	1.00	0.72	0.59	0.4	1.00	0.74	0.61	0.5	1.00	1.00	0.66	0.5
		ΔT	24	22	19	15	24	22	19	15	24	22	19	15	24	22	19	15	24	22	18	15	25	23	19	16
		kW	2.61	2.61	2.60	2.6	2.89	2.89	2.89	2.9	3.21	3.20	3.20	3.2	3.55	3.54	3.54	3.6	3.93	3.92	3.92	3.9	4.37	4.37	4.36	4.4
		Amps	9.2	9.2	9.2	9.3	10.5	10.5	10.5	10.6	11.9	11.9	11.9	12.0	13.5	13.5	13.4	13.5	15.2	15.2	15.2	15.3	17.2	17.2	17.2	17.3
75	1365	MBh	40.7	41.3	42.5	44.3	40.4	40.9	42.1	44.0	39.3	39.9	41.1	42.9	37.5	38.1	39.3	41.1	35.3	35.9	37.1	38.9	33.3	33.9	35.1	36.9
		S/T	0.79	0.72	0.58	0.4	0.80	0.72	0.59	0.4	1.00	0.75	0.61	0.5	1.00	0.77	0.63	0.5	1.00	0.79	0.66	0.5	1.00	1.00	0.71	0.6
		ΔT	23	21	18	14	23	21	18	14	23	21	18	14	23	21	18	14	23	21	17	14	24	22	19	15
		kW	2.62	2.62	2.62	2.64	2.90	2.90	2.90	2.92	3.22	3.22	3.21	3.23	3.56	3.56	3.55	3.57	3.94	3.93	3.93	3.95	4.38	4.38	4.38	4.40
		Amps	9.3	9.2	9.2	9.3	10.5	10.5	10.5	10.6	12.0	12.0	11.9	12.0	13.5	13.5	13.5	13.6	15.3	15.3	15.2	15.3	17.3	17.3	17.3	17.4
75	1575	MBh	41.5	42.1	43.3	45.1	41.2	41.7	42.9	44.8	40.1	40.7	41.9	43.7	38.3	38.9	40.1	41.9	36.1	36.7	37.9	39.7	34.1	34.7	35.9	37.7
		S/T	0.83	0.76	0.62	0.5	1.00	0.76	0.63	0.5	1.00	0.79	0.65	0.5	1.00	0.81	0.67	0.5	1.00	0.83	0.69	0.6	1.00	1.00	0.75	0.6
		ΔT	22	20	17	13	22	20	17	13	22	20	17	13	22	20	17	13	22	20	16	13	23	21	17	14
		kW	2.64	2.64	2.63	2.7	2.92	2.92	2.91	2.9	3.23	3.23	3.23	3.2	3.57	3.57	3.57	3.6	3.95	3.95	3.94	4.0	4.40	4.39	4.39	4.4
		Amps	9.3	9.3	9.3	9.4	10.6	10.6	10.6	10.7	12.0	12.0	12.0	12.1	13.6	13.6	13.6	13.7	15.3	15.3	15.3	15.4	17.4	17.4	17.3	17.4

IDB: Entering Indoor Dry Bulb Temperature
 High and low pressures are measured at the liquid and suction service valves.
 Shaded area reflects ACCA (TVA) conditions
 kW = Total system power
 Amps = outdoor unit amps (comp.+fan)

EXPANDED COOLING DATA — GLXS3BN4210A*+ CAPTA4230A* (CONT.)

IDB		OUTDOOR AMBIENT TEMPERATURE																							
		65				75				85				95				105				115			
		59	63	67	71	59	63	67	71	59	63	67	71	59	63	67	71	59	63	67	71	59	63	67	71
		ENTERING INDOOR WET BULB TEMPERATURE																							
AIRFLOW		40.5	41.1	42.3	44.1	40.1	40.7	41.9	43.7	39.1	39.7	40.9	42.7	37.3	37.9	39.1	40.9	35.1	35.7	36.9	38.7	33.1	33.6	34.8	36.7
1225		1.00	0.80	0.66	0.5	1.00	0.80	0.67	0.5	1.00	0.83	0.69	0.5	1.00	0.85	0.71	0.6	1.00	1.00	0.73	0.6	1.00	1.00	0.79	0.6
ΔT		28	26	23	19	28	26	23	19	28	26	23	19	28	26	23	19	28	26	22	19	29	27	24	20
kW		2.61	2.61	2.61	2.6	2.89	2.89	2.89	2.9	3.21	3.21	3.20	3.2	3.55	3.55	3.54	3.6	3.93	3.92	3.92	3.9	4.37	4.37	4.36	4.4
Amps		9.2	9.2	9.2	9.3	10.5	10.5	10.5	10.6	11.9	11.9	11.9	12.0	13.5	13.5	13.4	13.5	15.2	15.2	15.2	15.3	17.3	17.2	17.2	17.3
		40.9	41.5	42.7	44.5	40.6	41.2	42.4	44.2	39.5	40.1	41.3	43.1	37.7	38.3	39.5	41.3	35.5	36.1	37.3	39.1	33.5	34.1	35.3	37.1
80		1.00	0.84	0.71	0.6	1.00	0.85	0.71	0.6	1.00	0.87	0.74	0.6	1.00	1.00	0.76	0.6	1.00	1.00	0.78	0.6	1.00	1.00	0.83	0.7
ΔT		27	25	22	18	27	25	22	18	27	26	22	18	27	25	22	18	27	25	22	18	28	26	23	19
kW		2.62	2.62	2.62	2.64	2.91	2.90	2.90	2.92	3.22	3.22	3.21	3.23	3.56	3.56	3.55	3.57	3.94	3.94	3.93	3.95	4.38	4.38	4.38	4.40
Amps		9.3	9.2	9.2	9.3	10.5	10.5	10.5	10.6	12.0	12.0	11.9	12.0	13.5	13.5	13.5	13.6	15.3	15.3	15.2	15.3	17.3	17.3	17.3	17.4
		41.7	42.3	43.5	45.3	41.4	42.0	43.2	45.0	40.3	40.9	42.1	43.9	38.5	39.1	40.3	42.1	36.3	36.9	38.1	39.9	34.3	34.9	36.1	37.9
1575		1.00	0.88	0.75	0.6	1.00	0.89	0.75	0.6	1.00	0.91	0.78	0.6	1.00	1.00	0.80	0.7	1.00	1.00	0.82	0.7	1.00	1.00	0.87	0.7
ΔT		26	24	21	17	26	24	21	17	26	24	21	17	26	24	21	17	26	24	20	17	27	25	22	18
kW		2.64	2.64	2.63	2.7	2.92	2.92	2.91	2.9	3.23	3.23	3.23	3.2	3.57	3.57	3.57	3.6	3.95	3.95	3.95	4.0	4.40	4.40	4.39	4.4
Amps		9.3	9.3	9.3	9.4	10.6	10.6	10.6	10.7	12.0	12.0	12.0	12.1	13.6	13.6	13.6	13.7	15.3	15.3	15.3	15.4	17.4	17.4	17.4	17.4

		41.2	41.8	43.0	44.8	40.8	41.4	42.6	44.4	39.8	40.3	41.5	43.4	38.0	38.5	39.7	41.6	35.8	36.3	37.5	39.4	33.7	34.3	35.5	37.3
1225		1.00	0.90	0.76	0.6	1.00	0.90	0.77	0.6	1.00	1.00	0.79	0.7	1.00	1.00	0.81	0.7	1.00	1.00	0.83	0.7	1.00	1.00	1.00	0.7
ΔT		32	30	26	23	32	30	26	23	32	30	27	23	32	30	26	23	31	30	26	22	33	31	27	24
kW		2.62	2.62	2.61	2.6	2.90	2.90	2.89	2.9	3.21	3.21	3.21	3.2	3.55	3.55	3.55	3.6	3.93	3.93	3.93	3.9	4.38	4.38	4.37	4.4
Amps		9.2	9.2	9.2	9.3	10.5	10.5	10.5	10.6	12.0	11.9	11.9	12.0	13.5	13.5	13.5	13.6	15.2	15.2	15.2	15.3	17.3	17.3	17.2	17.3
		41.6	42.2	43.4	45.2	41.3	41.8	43.0	44.9	40.2	40.8	42.0	43.8	38.4	39.0	40.2	42.0	36.2	36.8	38.0	39.8	34.2	34.8	36.0	37.8
85		1.00	0.94	0.81	0.7	1.00	1.00	0.82	0.7	1.00	1.00	0.84	0.7	1.00	1.00	0.86	0.7	1.00	1.00	0.88	0.7	1.00	1.00	1.00	0.8
ΔT		31	29	25	22	31	29	25	22	31	29	26	22	31	29	25	22	30	29	25	22	32	30	26	23
kW		2.63	2.63	2.62	2.64	2.91	2.91	2.90	2.93	3.22	3.22	3.22	3.24	3.56	3.56	3.56	3.58	3.94	3.94	3.94	3.96	4.39	4.39	4.38	4.40
Amps		9.3	9.3	9.3	9.3	10.6	10.6	10.5	10.6	12.0	12.0	12.0	12.1	13.6	13.5	13.5	13.6	15.3	15.3	15.3	15.4	17.3	17.3	17.3	17.4
		42.4	43.0	44.2	46.0	42.1	42.6	43.8	45.7	41.0	41.6	42.8	44.6	39.2	39.8	41.0	42.8	37.0	37.6	38.8	40.6	35.0	35.6	36.8	38.6
1575		1.00	0.98	0.85	0.7	1.00	1.00	0.85	0.7	1.00	1.00	0.88	0.7	1.00	1.00	0.90	0.8	1.00	1.00	1.00	0.8	1.00	1.00	1.00	0.8
ΔT		30	28	24	21	30	28	24	21	30	28	25	21	30	28	24	21	29	27	24	20	31	29	25	22
kW		2.64	2.64	2.64	2.7	2.93	2.92	2.92	2.9	3.24	3.24	3.23	3.3	3.58	3.58	3.57	3.6	3.96	3.96	3.96	4.0	4.40	4.40	4.40	4.4
Amps		9.4	9.3	9.3	9.4	10.6	10.6	10.6	10.7	12.1	12.1	12.0	12.1	13.6	13.6	13.6	13.7	15.4	15.4	15.3	15.4	17.4	17.4	17.4	17.5

IDB: Entering Indoor Dry Bulb Temperature
 High and low pressures are measured at the liquid and suction service valves.
 Shaded area reflects AHRI conditions
 kW = Total system power
 Amps = outdoor unit amps (comp.+fan)

EXPANDED COOLING DATA — GLXS3BN4810A*+ CAPTA6030A*

IDB		OUTDOOR AMBIENT TEMPERATURE																									
		65				75				85				95				105				115					
		AIRFLOW			59	63	67	71	ENTERING INDOOR WET BULB TEMPERATURE			59	63	67	71	ENTERING INDOOR WET BULB TEMPERATURE			59	63	67	71	ENTERING INDOOR WET BULB TEMPERATURE			59	63
70	1400	MBh	46.9	47.6	48.9	-	46.5	47.1	48.5	-	45.3	45.9	47.3	-	43.2	43.9	45.2	-	40.7	41.3	42.7	-	38.3	39.0	40.4	-	
		S/T	0.64	0.56	0.43	-	0.64	0.57	0.44	-	0.67	0.59	0.46	-	1.00	0.61	0.48	-	1.00	0.63	0.50	-	1.00	0.68	0.55	-	
		ΔT	20	18	15	-	20	18	14	-	20	18	15	-	20	18	14	-	20	18	14	-	21	19	15	-	
		kW	3.03	3.03	3.02	-	3.37	3.37	3.37	-	3.76	3.76	3.75	-	4.18	4.17	4.17	-	4.64	4.64	4.63	-	5.19	5.19	5.18	-	
	Amps	11.0	11.0	11.0	-	12.6	12.6	12.6	-	14.4	14.4	14.3	-	16.3	16.3	16.3	-	18.4	18.4	18.4	-	20.9	20.9	20.9	-		
	1600	MBh	47.7	48.4	49.8	-	47.3	48.0	49.4	-	46.1	46.8	48.2	-	44.0	44.7	46.1	-	41.5	42.2	43.5	-	39.2	39.8	41.2	-	
	S/T	0.67	0.60	0.47	-	0.68	0.60	0.48	-	0.70	0.63	0.50	-	1.00	0.65	0.52	-	1.00	0.67	0.54	-	1.00	0.72	0.59	-		
	ΔT	19	17	13	-	19	17	13	-	19	17	14	-	19	17	13	-	19	17	13	-	20	18	14	-		
	kW	3.05	3.04	3.04	-	3.39	3.39	3.38	-	3.78	3.77	3.77	-	4.19	4.19	4.18	-	4.66	4.66	4.65	-	5.21	5.20	5.20	-		
	Amps	11.1	11.1	11.1	-	12.7	12.7	12.7	-	14.5	14.4	14.4	-	16.4	16.4	16.3	-	18.5	18.5	18.5	-	21.0	21.0	21.0	-		
	1800	MBh	48.8	49.4	50.8	-	48.4	49.0	50.4	-	47.2	47.8	49.2	-	45.1	45.7	47.1	-	42.5	43.2	44.6	-	40.2	40.9	42.3	-	
	S/T	0.68	0.61	0.48	-	0.68	0.61	0.48	-	1.00	0.64	0.51	-	1.00	0.65	0.53	-	1.00	0.68	0.55	-	1.00	0.72	0.60	-		
	ΔT	18	16	12	-	18	16	12	-	18	16	13	-	18	16	12	-	18	16	12	-	19	17	13	-		
	kW	3.06	3.06	3.05	-	3.41	3.40	3.40	-	3.79	3.79	3.78	-	4.21	4.21	4.20	-	4.67	4.67	4.67	-	5.22	5.22	5.21	-		
	Amps	11.2	11.2	11.1	-	12.8	12.8	12.7	-	14.5	14.5	14.5	-	16.4	16.4	16.4	-	18.6	18.6	18.5	-	21.1	21.1	21.0	-		

IDB		OUTDOOR AMBIENT TEMPERATURE																									
		65				75				85				95				105				115					
		AIRFLOW			59	63	67	71	ENTERING INDOOR WET BULB TEMPERATURE			59	63	67	71	ENTERING INDOOR WET BULB TEMPERATURE			59	63	67	71	ENTERING INDOOR WET BULB TEMPERATURE			59	63
75	1400	MBh	46.9	47.6	49.0	51.1	46.5	47.2	48.5	50.7	45.3	46.0	47.3	49.5	43.2	43.9	45.3	47.4	40.7	41.3	42.7	44.8	38.4	39.0	40.4	42.5	
		S/T	0.76	0.69	0.56	0.4	0.77	0.69	0.56	0.4	1.00	0.72	0.59	0.5	1.00	0.74	0.61	0.5	1.00	0.76	0.63	0.5	1.00	1.00	1.00	0.68	
		ΔT	25	23	19	15	24	23	19	15	25	23	19	15	24	22	19	15	24	22	19	15	25	23	20	16	
		kW	3.03	3.02	3.02	3.0	3.37	3.37	3.36	3.4	3.76	3.75	3.75	3.8	4.17	4.17	4.17	4.2	4.64	4.64	4.63	4.7	5.19	5.18	5.18	5.2	
	Amps	11.0	11.0	11.0	11.1	12.6	12.6	12.6	12.7	14.4	14.4	14.3	14.5	16.3	16.3	16.2	16.4	18.4	18.4	18.4	18.5	20.9	20.9	20.9	21.0		
	1600	MBh	47.8	48.4	49.8	51.9	47.4	48.0	49.4	51.5	46.1	46.8	48.2	50.3	44.1	44.7	46.1	48.2	41.5	42.2	43.6	45.7	39.2	39.9	41.2	43.4	
	S/T	0.79	0.72	0.59	0.5	1.00	0.73	0.60	0.5	1.00	0.75	0.62	0.5	1.00	0.77	0.64	0.5	1.00	0.79	0.66	0.5	1.00	1.00	1.00	0.71		
	ΔT	23	21	18	14	23	21	18	14	24	22	18	14	23	21	18	14	23	21	17	14	24	22	19	15		
	kW	3.04	3.04	3.03	3.06	3.39	3.39	3.38	3.41	3.77	3.77	3.77	3.79	4.19	4.19	4.18	4.21	4.66	4.65	4.65	4.68	5.20	5.20	5.20	5.22		
	Amps	11.1	11.1	11.1	11.2	12.7	12.7	12.6	12.8	14.4	14.4	14.4	14.5	16.4	16.3	16.3	16.4	18.5	18.5	18.5	18.6	21.0	21.0	21.0	21.1		
	1800	MBh	48.8	49.5	50.9	53.0	48.4	49.1	50.4	52.5	47.2	47.8	49.2	51.3	45.1	45.8	47.1	49.3	42.6	43.2	44.6	46.7	40.2	40.9	42.3	44.4	
	S/T	0.80	0.73	0.60	0.5	1.00	0.74	0.61	0.5	1.00	0.76	0.63	0.5	1.00	0.78	0.65	0.5	1.00	1.00	0.67	0.5	1.00	1.00	1.00	0.72		
	ΔT	22	20	17	13	22	20	17	13	23	21	17	13	22	20	17	13	22	20	16	13	23	21	18	14		
	kW	3.06	3.06	3.05	3.1	3.40	3.40	3.39	3.4	3.79	3.79	3.78	3.8	4.21	4.20	4.20	4.2	4.67	4.67	4.66	4.7	5.22	5.22	5.21	5.2		
	Amps	11.2	11.2	11.1	11.3	12.8	12.7	12.7	12.8	14.5	14.5	14.5	14.6	16.4	16.4	16.4	16.5	18.6	18.5	18.5	18.6	21.1	21.0	21.0	21.1		

IDB: Entering Indoor Dry Bulb Temperature
 High and low pressures are measured at the liquid and suction service valves.
 Shaded area reflects ACCA (TVA) conditions
 kW = Total system power
 Amps = outdoor unit amps (comp.+fan)

EXPANDED COOLING DATA — GLXS3BN4810A*+ CAPTA6030A* (CONT.)

IDB		OUTDOOR AMBIENT TEMPERATURE																											
		65				75				85				95				105				115							
		59	63	67	71	59	63	67	71	59	63	67	71	59	63	67	71	59	63	67	71	59	63	67	71				
		ENTERING INDOOR WET BULB TEMPERATURE																											
AIRFLOW		59	63	67	71	59	63	67	71	59	63	67	71	59	63	67	71	59	63	67	71	59	63	67	71	59	63	67	71
1400	MBh	47.2	47.8	49.2	51.3	46.8	47.4	48.8	50.9	45.5	46.2	47.6	49.7	43.5	44.1	45.5	47.6	40.9	41.6	43.0	45.1	38.6	39.3	40.6	42.8				
	S/T	1.00	0.81	0.68	0.5	1.00	0.81	0.68	0.5	1.00	0.84	0.71	0.6	1.00	1.00	0.73	0.6	1.00	1.00	0.75	0.6	1.00	1.00	0.80	0.7				
	ΔT	29	27	23	19	29	27	23	19	29	27	23	20	29	27	23	19	29	27	23	19	30	28	24	20				
	kW	3.03	3.03	3.02	3.0	3.37	3.37	3.36	3.4	3.76	3.76	3.75	3.8	4.18	4.17	4.17	4.2	4.64	4.64	4.63	4.7	5.19	5.19	5.18	5.2				
	Amps	11.0	11.0	11.0	11.1	12.6	12.6	12.6	12.7	14.4	14.4	14.3	14.5	16.3	16.3	16.2	16.4	18.4	18.4	18.4	18.5	20.9	20.9	20.9	21.0				
80	MBh	48.0	48.7	50.0	52.2	47.6	48.3	49.6	51.7	46.4	47.0	48.4	50.5	44.3	45.0	46.3	48.5	41.8	42.4	43.8	45.9	39.4	40.1	41.5	43.6				
	S/T	1.00	0.84	0.71	0.6	1.00	0.85	0.72	0.6	1.00	0.87	0.74	0.6	1.00	1.00	0.76	0.6	1.00	1.00	0.78	0.6	1.00	1.00	0.83	0.7				
	ΔT	28	26	22	18	28	26	22	18	28	26	22	19	28	26	22	18	27	25	22	18	29	27	23	19				
	kW	3.05	3.04	3.04	3.06	3.39	3.39	3.38	3.41	3.78	3.77	3.77	3.79	4.19	4.19	4.18	4.21	4.66	4.66	4.65	4.68	5.21	5.20	5.20	5.22				
	Amps	11.1	11.1	11.1	11.2	12.7	12.7	12.7	12.8	14.5	14.4	14.4	14.5	16.4	16.4	16.3	16.4	18.5	18.5	18.5	18.6	21.0	21.0	21.0	21.1				
1800	MBh	49.1	49.7	51.1	53.2	48.6	49.3	50.7	52.8	47.4	48.1	49.5	51.6	45.4	46.0	47.4	49.5	42.8	43.5	44.8	47.0	40.5	41.1	42.5	44.6				
	S/T	1.00	0.85	0.72	0.6	1.00	0.86	0.73	0.6	1.00	1.00	0.75	0.6	1.00	1.00	0.77	0.6	1.00	1.00	0.79	0.7	1.00	1.00	0.84	0.7				
	ΔT	27	25	21	17	27	25	21	17	27	25	21	18	27	25	21	17	26	24	21	17	28	26	22	18				
	kW	3.06	3.06	3.05	3.1	3.41	3.40	3.40	3.4	3.79	3.79	3.78	3.8	4.21	4.21	4.20	4.2	4.67	4.67	4.67	4.7	5.22	5.22	5.21	5.2				
	Amps	11.2	11.2	11.1	11.3	12.8	12.7	12.7	12.8	14.5	14.5	14.5	14.6	16.4	16.4	16.4	16.5	18.6	18.6	18.5	18.6	21.1	21.1	21.1	21.2				

1400	MBh	47.9	48.6	50.0	52.1	47.5	48.2	49.6	51.7	46.3	47.0	48.4	50.5	44.2	44.9	46.3	48.4	41.7	42.4	43.7	45.9	39.4	40.0	41.4	43.5
	S/T	1.00	0.90	0.77	0.6	1.00	1.00	0.78	0.6	1.00	1.00	0.80	0.7	1.00	1.00	0.82	0.7	1.00	1.00	0.84	0.7	1.00	1.00	1.00	0.8
	ΔT	33	31	27	23	33	31	27	23	33	31	27	24	33	31	27	23	32	30	27	23	34	32	28	24
	kW	3.03	3.03	3.03	3.1	3.38	3.38	3.37	3.4	3.77	3.76	3.76	3.8	4.18	4.18	4.17	4.2	4.65	4.65	4.64	4.7	5.20	5.19	5.19	5.2
	Amps	11.1	11.1	11.0	11.1	12.6	12.6	12.6	12.7	14.4	14.4	14.4	14.5	16.3	16.3	16.3	16.4	18.5	18.4	18.4	18.5	21.0	20.9	20.9	21.0
1600	MBh	48.8	49.4	50.8	52.9	48.4	49.0	50.4	52.5	47.2	47.8	49.2	51.3	45.1	45.7	47.1	49.2	42.5	43.2	44.6	46.7	40.2	40.9	42.3	44.4
	S/T	1.00	0.94	0.81	0.7	1.00	1.00	0.82	0.7	1.00	1.00	0.84	0.7	1.00	1.00	0.86	0.7	1.00	1.00	1.00	0.7	1.00	1.00	1.00	0.8
	ΔT	32	30	26	22	32	30	26	22	32	30	26	22	32	30	26	22	31	29	26	22	33	31	27	23
	kW	3.05	3.05	3.04	3.07	3.40	3.39	3.39	3.41	3.78	3.78	3.77	3.80	4.20	4.20	4.19	4.22	4.67	4.66	4.66	4.68	5.21	5.21	5.20	5.23
	Amps	11.1	11.1	11.1	11.2	12.7	12.7	12.7	12.8	14.5	14.5	14.4	14.6	16.4	16.4	16.4	16.5	18.5	18.5	18.5	18.6	21.0	21.0	21.0	21.1
1800	MBh	49.8	50.5	51.9	54.0	49.4	50.1	51.5	53.6	48.2	48.9	50.2	52.4	46.1	46.8	48.2	50.3	43.6	44.2	45.6	47.7	41.3	41.9	43.3	45.4
	S/T	1.00	0.95	0.82	0.7	1.00	1.00	0.82	0.7	1.00	1.00	0.85	0.7	1.00	1.00	0.87	0.7	1.00	1.00	1.00	0.7	1.00	1.00	1.00	0.8
	ΔT	31	29	25	21	31	29	25	21	31	29	25	21	31	29	25	21	30	28	25	21	32	30	26	22
	kW	3.07	3.06	3.06	3.1	3.41	3.41	3.40	3.4	3.80	3.79	3.79	3.8	4.21	4.21	4.21	4.2	4.68	4.68	4.67	4.7	5.23	5.22	5.22	5.2
	Amps	11.2	11.2	11.2	11.3	12.8	12.8	12.8	12.9	14.6	14.5	14.5	14.6	16.5	16.5	16.4	16.5	18.6	18.6	18.6	18.7	21.1	21.1	21.1	21.2

IDB: Entering Indoor Dry Bulb Temperature
 High and low pressures are measured at the liquid and suction service valves.
 Shaded area reflects AHRI conditions
 kW = Total system power
 Amps = outdoor unit amps (comp.+fan)

EXPANDED COOLING DATA — GLXS3BN6010A*+ CAPTA6030A*

IDB	AIRFLOW	OUTDOOR AMBIENT TEMPERATURE																							
		65				75				85				95				105				115			
		59	63	67	71	59	63	67	71	59	63	67	71	59	63	67	71	59	63	67	71	59	63	67	71
70	MBh	56.7	57.5	59.2	-	56.2	57.0	58.7	-	54.7	55.5	57.2	-	52.2	53.0	54.7	-	49.1	49.9	51.6	-	46.3	47.1	48.8	-
	S/T	0.60	0.53	0.41	-	0.60	0.53	0.41	-	0.62	0.56	0.43	-	0.64	0.57	0.45	-	0.66	0.59	0.47	-	1.00	0.64	0.52	-
	ΔT	22	20	16	-	22	19	16	-	22	20	16	-	22	19	15	-	21	19	15	-	23	21	17	-
	kW	3.59	3.59	3.58	-	4.03	4.03	4.02	-	4.52	4.52	4.51	-	5.05	5.05	5.04	-	5.64	5.64	5.63	-	6.34	6.33	6.33	-
	Amps	13.4	13.4	13.4	-	15.4	15.4	15.4	-	17.7	17.6	17.6	-	20.1	20.1	20.0	-	22.8	22.8	22.7	-	26.0	26.0	25.9	-
2000	MBh	59.5	60.3	62.0	-	59.0	59.8	61.5	-	57.6	58.4	60.0	-	55.1	55.9	57.5	-	52.0	52.8	54.5	-	49.2	50.0	51.7	-
	S/T	0.63	0.56	0.44	-	0.64	0.57	0.45	-	0.66	0.59	0.47	-	0.68	0.61	0.49	-	1.00	0.63	0.51	-	1.00	0.67	0.55	-
	ΔT	19	17	13	-	19	17	13	-	19	17	13	-	19	17	13	-	19	16	13	-	20	18	14	-
	kW	3.64	3.64	3.63	-	4.08	4.08	4.07	-	4.57	4.57	4.56	-	5.10	5.09	5.09	-	5.69	5.69	5.68	-	6.38	6.38	6.37	-
	Amps	13.6	13.6	13.6	-	15.6	15.6	15.6	-	17.9	17.9	17.8	-	20.3	20.3	20.3	-	23.0	23.0	23.0	-	26.2	26.2	26.1	-
2250	MBh	61.5	62.3	64.0	-	61.0	61.8	63.5	-	59.6	60.4	62.0	-	57.0	57.8	59.5	-	54.0	54.8	56.4	-	51.2	52.0	53.6	-
	S/T	0.60	0.53	0.41	-	0.60	0.54	0.41	-	0.63	0.56	0.44	-	1.00	0.58	0.45	-	1.00	0.60	0.47	-	1.00	0.64	0.52	-
	ΔT	18	16	12	-	18	16	12	-	18	16	12	-	18	16	12	-	17	15	11	-	19	17	13	-
	kW	3.66	3.66	3.65	-	4.10	4.10	4.09	-	4.59	4.59	4.58	-	5.12	5.12	5.11	-	5.71	5.71	5.70	-	6.40	6.40	6.39	-
	Amps	13.7	13.7	13.7	-	15.7	15.7	15.7	-	18.0	18.0	17.9	-	20.4	20.4	20.3	-	23.1	23.1	23.1	-	26.3	26.3	26.2	-

IDB	AIRFLOW	OUTDOOR AMBIENT TEMPERATURE																							
		65				75				85				95				105				115			
		59	63	67	71	59	63	67	71	59	63	67	71	59	63	67	71	59	63	67	71	59	63	67	71
75	MBh	56.7	57.5	59.2	61.7	56.2	57.0	58.7	61.2	54.8	55.6	57.2	59.8	52.2	53.0	54.7	57.3	49.2	50.0	51.6	54.2	46.4	47.2	48.8	51.4
	S/T	0.71	0.64	0.52	0.4	0.72	0.65	0.53	0.4	0.74	0.67	0.55	0.4	1.00	0.69	0.57	0.4	1.00	0.71	0.59	0.5	1.00	0.75	0.63	0.5
	ΔT	26	24	20	16	26	24	20	16	27	24	20	16	26	24	20	16	26	24	20	16	27	25	21	17
	kW	3.59	3.59	3.58	3.6	4.03	4.03	4.02	4.1	4.52	4.52	4.51	4.5	5.05	5.04	5.04	5.1	5.64	5.64	5.63	5.7	6.33	6.33	6.32	6.4
	Amps	13.4	13.4	13.4	13.5	15.4	15.4	15.4	15.5	17.7	17.6	17.6	17.8	20.1	20.1	20.0	20.2	22.8	22.8	22.7	22.9	26.0	25.9	25.9	26.1
2000	MBh	59.6	60.4	62.0	64.6	59.1	59.9	61.5	64.1	57.6	58.4	60.1	62.6	55.1	55.9	57.6	60.1	52.0	52.8	54.5	57.0	49.2	50.0	51.7	54.2
	S/T	0.75	0.68	0.56	0.4	0.75	0.68	0.56	0.4	1.00	0.71	0.59	0.5	1.00	0.72	0.60	0.5	1.00	0.74	0.62	0.5	1.00	1.00	0.67	0.5
	ΔT	24	22	18	13	24	21	17	13	24	22	18	14	24	21	17	13	23	21	17	13	25	22	19	14
	kW	3.64	3.64	3.63	3.66	4.08	4.07	4.07	4.10	4.57	4.56	4.56	4.59	5.10	5.09	5.08	5.12	5.69	5.68	5.68	5.71	6.38	6.38	6.37	6.40
	Amps	13.6	13.6	13.6	13.7	15.6	15.6	15.6	15.7	17.9	17.9	17.8	18.0	20.3	20.3	20.2	20.4	23.0	23.0	22.9	23.1	26.2	26.2	26.1	26.3
2250	MBh	61.6	62.3	64.0	66.6	61.1	61.8	63.5	66.1	59.6	60.4	62.1	64.6	57.1	57.9	59.5	62.1	54.0	54.8	56.5	59.0	51.2	52.0	53.7	56.2
	S/T	0.71	0.65	0.52	0.4	1.00	0.65	0.53	0.4	1.00	0.67	0.55	0.4	1.00	0.69	0.57	0.4	1.00	0.71	0.59	0.5	1.00	1.00	0.64	0.5
	ΔT	22	20	16	12	22	20	16	12	23	21	17	13	22	20	16	12	22	20	16	12	23	21	17	13
	kW	3.66	3.66	3.65	3.7	4.10	4.09	4.09	4.1	4.59	4.58	4.58	4.6	5.12	5.11	5.10	5.1	5.71	5.70	5.70	5.7	6.40	6.40	6.39	6.4
	Amps	13.7	13.7	13.7	13.8	15.7	15.7	15.7	15.8	18.0	17.9	17.9	18.1	20.4	20.4	20.3	20.5	23.1	23.1	23.0	23.2	26.3	26.2	26.2	26.4

IDB: Entering Indoor Dry Bulb Temperature
 High and low pressures are measured at the liquid and suction service valves.
 Shaded area reflects ACCA (TVA) conditions
 kW = Total system power
 Amps = outdoor unit amps (comp.+fan)

EXPANDED COOLING DATA — GLXS3BN6010A*+ CAPTA6030A* (CONT.)

IDB	AIRFLOW	OUTDOOR AMBIENT TEMPERATURE																							
		65				75				85				95				105				115			
		59	63	67	71	59	63	67	71	59	63	67	71	59	63	67	71	59	63	67	71	59	63	67	71
80	MBh	57.0	57.8	59.5	62.0	56.5	57.3	59.0	61.5	55.1	55.8	57.5	60.1	52.5	53.3	55.0	57.6	49.5	50.3	51.9	54.5	46.7	47.5	49.1	51.7
	S/T	0.82	0.76	0.63	0.5	1.00	0.76	0.64	0.5	1.00	0.78	0.66	0.5	1.00	0.80	0.68	0.6	1.00	0.82	0.70	0.6	1.00	1.00	0.75	0.6
	ΔT	31	29	25	21	31	29	25	21	31	29	25	21	31	29	25	21	31	29	25	20	32	30	26	22
	kW	3.59	3.59	3.58	3.6	4.03	4.03	4.02	4.1	4.52	4.52	4.51	4.5	5.05	5.05	5.04	5.1	5.64	5.64	5.63	5.7	6.34	6.33	6.32	6.4
	Amps	13.4	13.4	13.4	13.5	15.4	15.4	15.4	15.5	17.7	17.6	17.6	17.8	20.1	20.1	20.0	20.2	22.8	22.8	22.7	22.9	26.0	26.0	25.9	26.1
2000	MBh	59.9	60.7	62.3	64.9	59.4	60.2	61.8	64.4	57.9	58.7	60.4	62.9	55.4	56.2	57.9	60.4	52.3	53.1	54.8	57.3	49.5	50.3	52.0	54.5
	S/T	1.00	0.79	0.67	0.5	1.00	0.80	0.68	0.5	1.00	0.82	0.70	0.6	1.00	0.84	0.72	0.6	1.00	1.00	0.74	0.6	1.00	1.00	0.78	0.7
	ΔT	28	26	22	18	28	26	22	18	29	26	22	18	28	26	22	18	28	26	22	18	29	27	23	19
	kW	3.64	3.64	3.63	3.66	4.08	4.08	4.07	4.10	4.57	4.57	4.56	4.59	5.10	5.09	5.09	5.12	5.69	5.69	5.68	5.71	6.38	6.38	6.37	6.41
	Amps	13.6	13.6	13.6	13.7	15.6	15.6	15.6	15.7	17.9	17.9	17.8	18.0	20.3	20.3	20.3	20.4	23.0	23.0	23.0	23.1	26.2	26.2	26.1	26.3
2250	MBh	61.8	62.6	64.3	66.9	61.3	62.1	63.8	66.4	59.9	60.7	62.3	64.9	57.4	58.2	59.8	62.4	54.3	55.1	56.8	59.3	51.5	52.3	54.0	56.5
	S/T	1.00	0.76	0.64	0.5	1.00	0.76	0.64	0.5	1.00	0.79	0.66	0.5	1.00	1.00	0.68	0.6	1.00	1.00	0.70	0.6	1.00	1.00	0.75	0.6
	ΔT	27	25	21	17	27	25	21	17	27	25	21	17	27	25	21	17	27	25	21	17	28	26	22	18
	kW	3.66	3.66	3.65	3.7	4.10	4.10	4.09	4.1	4.59	4.59	4.58	4.6	5.12	5.11	5.11	5.1	5.71	5.71	5.70	5.7	6.40	6.40	6.39	6.4
	Amps	13.7	13.7	13.7	13.8	15.7	15.7	15.7	15.8	18.0	18.0	17.9	18.1	20.4	20.4	20.3	20.5	23.1	23.1	23.0	23.2	26.3	26.3	26.2	26.4

IDB	AIRFLOW	OUTDOOR AMBIENT TEMPERATURE																							
		65				75				85				95				105				115			
		59	63	67	71	59	63	67	71	59	63	67	71	59	63	67	71	59	63	67	71	59	63	67	71
85	MBh	58.0	58.7	60.4	63.0	57.5	58.2	59.9	62.5	56.0	56.8	58.5	61.0	53.5	54.3	55.9	58.5	50.4	51.2	52.9	55.4	47.6	48.4	50.1	52.6
	S/T	1.00	0.85	0.72	0.6	1.00	0.85	0.73	0.6	1.00	1.00	0.75	0.6	1.00	1.00	0.77	0.6	1.00	1.00	0.79	0.7	1.00	1.00	0.84	0.7
	ΔT	35	33	29	25	35	33	29	25	35	33	29	25	35	33	29	25	35	33	29	25	36	34	30	26
	kW	3.60	3.60	3.59	3.6	4.04	4.04	4.03	4.1	4.53	4.53	4.52	4.6	5.06	5.06	5.05	5.1	5.65	5.65	5.64	5.7	6.34	6.34	6.33	6.4
	Amps	13.5	13.4	13.4	13.6	15.5	15.4	15.4	15.6	17.7	17.7	17.7	17.8	20.1	20.1	20.1	20.2	22.8	22.8	22.8	22.9	26.0	26.0	26.0	26.1
2000	MBh	60.8	61.6	63.3	65.8	60.3	61.1	62.8	65.3	58.9	59.6	61.3	63.9	56.3	57.1	58.8	61.4	53.3	54.1	55.7	58.3	50.5	51.2	52.9	55.5
	S/T	1.00	0.88	0.76	0.6	1.00	0.89	0.77	0.6	1.00	1.00	0.79	0.7	1.00	1.00	0.81	0.7	1.00	1.00	0.83	0.7	1.00	1.00	1.00	0.7
	ΔT	32	30	26	22	32	30	26	22	33	31	27	23	32	30	26	22	32	30	26	22	33	31	27	23
	kW	3.65	3.65	3.64	3.67	4.09	4.08	4.08	4.11	4.58	4.57	4.57	4.60	5.11	5.10	5.10	5.13	5.70	5.69	5.69	5.72	6.39	6.39	6.38	6.41
	Amps	13.7	13.7	13.6	13.8	15.7	15.7	15.6	15.8	17.9	17.9	17.9	18.0	20.3	20.3	20.3	20.4	23.0	23.0	23.0	23.1	26.2	26.2	26.2	26.3
2250	MBh	62.8	63.6	65.3	67.8	62.3	63.1	64.8	67.3	60.8	61.6	63.3	65.8	58.3	59.1	60.8	63.3	55.2	56.0	57.7	60.3	52.4	53.2	54.9	57.5
	S/T	1.00	0.85	0.73	0.6	1.00	1.00	0.73	0.6	1.00	1.00	0.76	0.6	1.00	1.00	0.77	0.6	1.00	1.00	1.00	0.7	1.00	1.00	1.00	0.7
	ΔT	31	29	25	21	31	29	25	21	32	29	25	21	31	29	25	21	31	29	25	21	32	30	26	22
	kW	3.67	3.67	3.66	3.7	4.11	4.10	4.10	4.1	4.60	4.59	4.59	4.6	5.13	5.12	5.12	5.1	5.72	5.71	5.71	5.7	6.41	6.41	6.40	6.4
	Amps	13.8	13.8	13.7	13.9	15.8	15.8	15.7	15.9	18.0	18.0	18.0	18.1	20.4	20.4	20.4	20.5	23.1	23.1	23.1	23.2	26.3	26.3	26.3	26.4

IDB: Entering Indoor Dry Bulb Temperature
 High and low pressures are measured at the liquid and suction service valves.
 Shaded area reflects AHRI conditions
 kW = Total system power
 Amps = outdoor unit amps (comp.+fan)

PERFORMANCE DATA

GLXS3BN1810*/CAPTA2422*				
CONDITIONS: 80 °F IBD, 67 °F IWB @ 625 CFM				
OUTDOOR TEM. ° F.	TOTAL BTU/H	SENSIBLE BTU/H	LATENT BTU/H	TOTAL WATTS
75	19,300	12,540	6,760	1,320
80	19,060	12,600	6,460	1,390
85	18,820	12,660	6,160	1,460
90	18,410	12,540	5,870	1,540
95	18,000	12,420	5,580	1,620
100	17,495	12,245	5,250	1,705
105	16,990	12,070	4,920	1,790
110	16,535	12,120	4,415	1,890
115	16,080	12,170	3,910	1,990
TVA CONDITIONS @ 95° OD DB, 75° ID DB 63° ID WB				
95°	17,360	12,140	5,220	1,620

GLXS3BN2410*/CAPTA2422*				
CONDITIONS: 80 °F IBD, 67 °F IWB @ 700 CFM				
OUTDOOR TEM. ° F.	TOTAL BTU/H	SENSIBLE BTU/H	LATENT BTU/H	TOTAL WATTS
75	24,660	16,720	7,940	1,670
80	24,355	16,800	7,555	1,765
85	24,050	16,880	7,170	1,860
90	23,525	16,725	6,800	1,965
95	23,000	16,570	6,430	2,070
100	22,360	16,335	6,025	2,185
105	21,720	16,100	5,620	2,300
110	21,130	16,165	4,965	2,435
115	20,540	16,230	4,310	2,570
TVA CONDITIONS @ 95° OD DB, 75° ID DB 63° ID WB				
95°	22,180	16,190	5,990	2,070

GLXS3BN3010*/CAPTA3026*				
CONDITIONS: 80 °F IBD, 67 °F IWB @ 950 CFM				
OUTDOOR TEM. ° F.	TOTAL BTU/H	SENSIBLE BTU/H	LATENT BTU/H	TOTAL WATTS
75	30,670	21,380	9,290	2,050
80	30,290	21,480	8,810	2,175
85	29,910	21,580	8,330	2,300
90	29,255	21,380	7,875	2,435
95	28,600	21,180	7,420	2,570
100	27,800	20,880	6,920	2,725
105	27,000	20,580	6,420	2,880
110	26,270	20,665	5,605	3,060
115	25,540	20,750	4,790	3,240
TVA CONDITIONS @ 95° OD DB, 75° ID DB 63° ID WB				
95°	27,580	20,700	6,880	2,580

GLXS3BN3610*/CAPTA3626*				
CONDITIONS: 80 °F IBD, 67 °F IWB @ 1150 CFM				
OUTDOOR TEM. ° F.	TOTAL BTU/H	SENSIBLE BTU/H	LATENT BTU/H	TOTAL WATTS
75	36,670	26,290	10,380	2,460
80	36,215	26,415	9,800	2,610
85	35,760	26,540	9,220	2,760
90	34,980	26,295	8,685	2,920
95	34,200	26,050	8,150	3,080
100	33,245	25,680	7,565	3,260
105	32,290	25,310	6,980	3,440
110	31,420	27,930	3,490	3,645
115	30,550	30,550	0	3,850
TVA CONDITIONS @ 95° OD DB, 75° ID DB 63° ID WB				
95°	32,980	25,450	7,530	3,080

GLXS3BN4210*/CAPTA4230*				
CONDITIONS: 80 °F IBD, 67 °F IWB @ 1365 CFM				
OUTDOOR TEM. ° F.	TOTAL BTU/H	SENSIBLE BTU/H	LATENT BTU/H	TOTAL WATTS
75	42,350	30,250	12,100	2,900
80	41,830	30,390	11,440	3,055
85	41,310	30,530	10,780	3,210
90	40,405	30,245	10,160	3,380
95	39,500	29,960	9,540	3,550
100	38,395	29,535	8,860	3,740
105	37,290	29,110	8,180	3,930
110	36,285	29,235	7,050	4,155
115	35,280	29,360	5,920	4,380
TVA CONDITIONS @ 95° OD DB, 75° ID DB 63° ID WB				
95°	38,090	29,280	8,810	3,560

GLXS3BN4810*/CAPT6030*				
CONDITIONS: 80 °F IBD, 67 °F IWB @ 1400 CFM				
OUTDOOR TEM. ° F.	TOTAL BTU/H	SENSIBLE BTU/H	LATENT BTU/H	TOTAL WATTS
75	48,790	33,330	15,460	3,360
80	48,185	33,490	14,695	3,555
85	47,580	33,650	13,930	3,750
90	46,540	33,335	13,205	3,960
95	45,500	33,020	12,480	4,170
100	44,230	32,550	11,680	4,400
105	42,960	32,080	10,880	4,630
110	41,800	32,215	9,585	4,905
115	40,640	32,350	8,290	5,180
TVA CONDITIONS @ 95° OD DB, 75° ID DB 63° ID WB				
95°	43,880	32,270	11,610	4,170

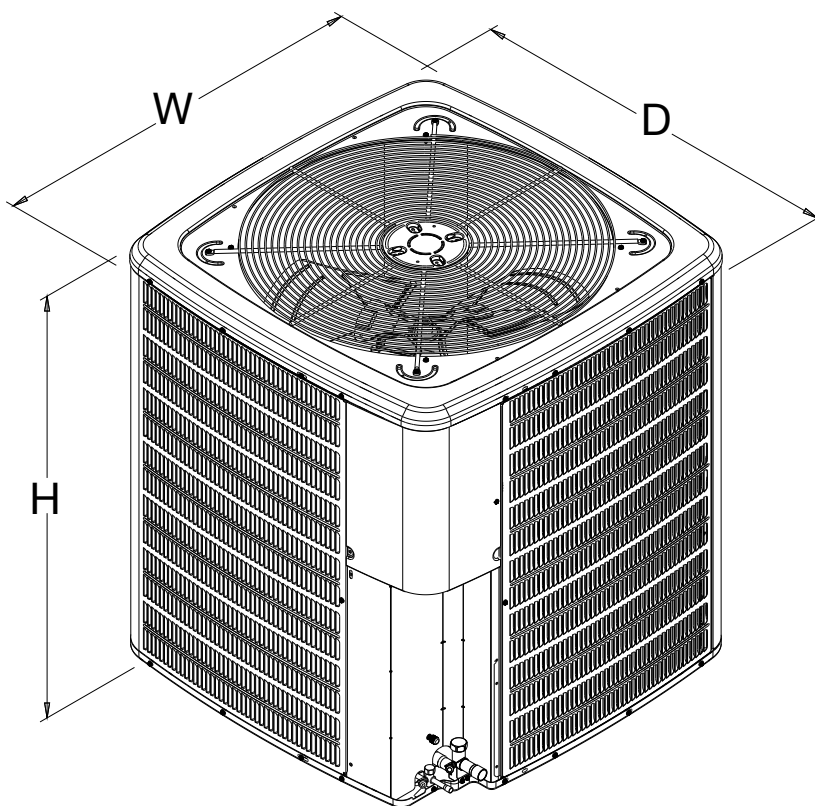
GLXS3BN6010*/CAPTA6030*				
CONDITIONS: 80 °F IBD, 67 °F IWB @ 1490 CFM				
OUTDOOR TEM. ° F.	TOTAL BTU/H	SENSIBLE BTU/H	LATENT BTU/H	TOTAL WATTS
75	58,970	37,730	21,240	4,020
80	58,240	37,905	20,335	4,265
85	57,510	38,080	19,430	4,510
90	56,255	37,730	18,525	4,775
95	55,000	37,380	17,620	5,040
100	53,465	36,850	16,615	5,335
105	51,930	36,320	15,610	5,630
110	50,525	36,470	14,055	5,975
115	49,120	36,620	12,500	6,320
TVA Conditions @ 95° OD DB, 75° ID DB 63° ID WB				
95°	53,040	36,530	16,510	5,040

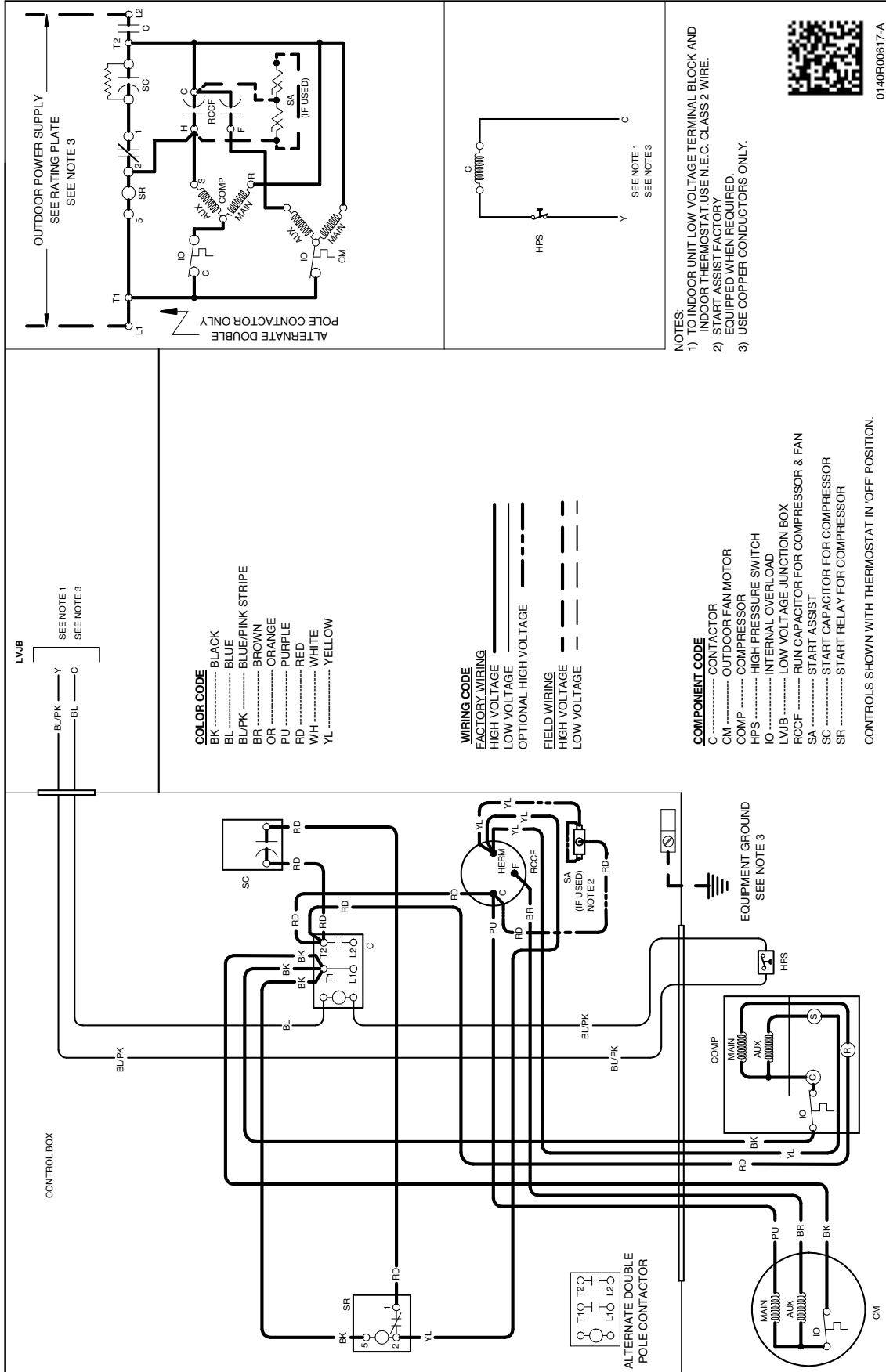
NOTE: no factory installed crankcase heater

DIMENSIONS

MODEL	DIMENSIONS		
	W"	D"	H"
GLXS3BN1810A*	26	26	27½
GLXS3BN2410A*	26	26	27½
GLXS3BN3010A*	26	26	32½
GLXS3BN3610A*	26	26	32½
GLXS3BN4210A*	29	29	35¾
GLXS3BN4810A*	29	29	39½
GLXS3BN6010A*	35½	35½	39½

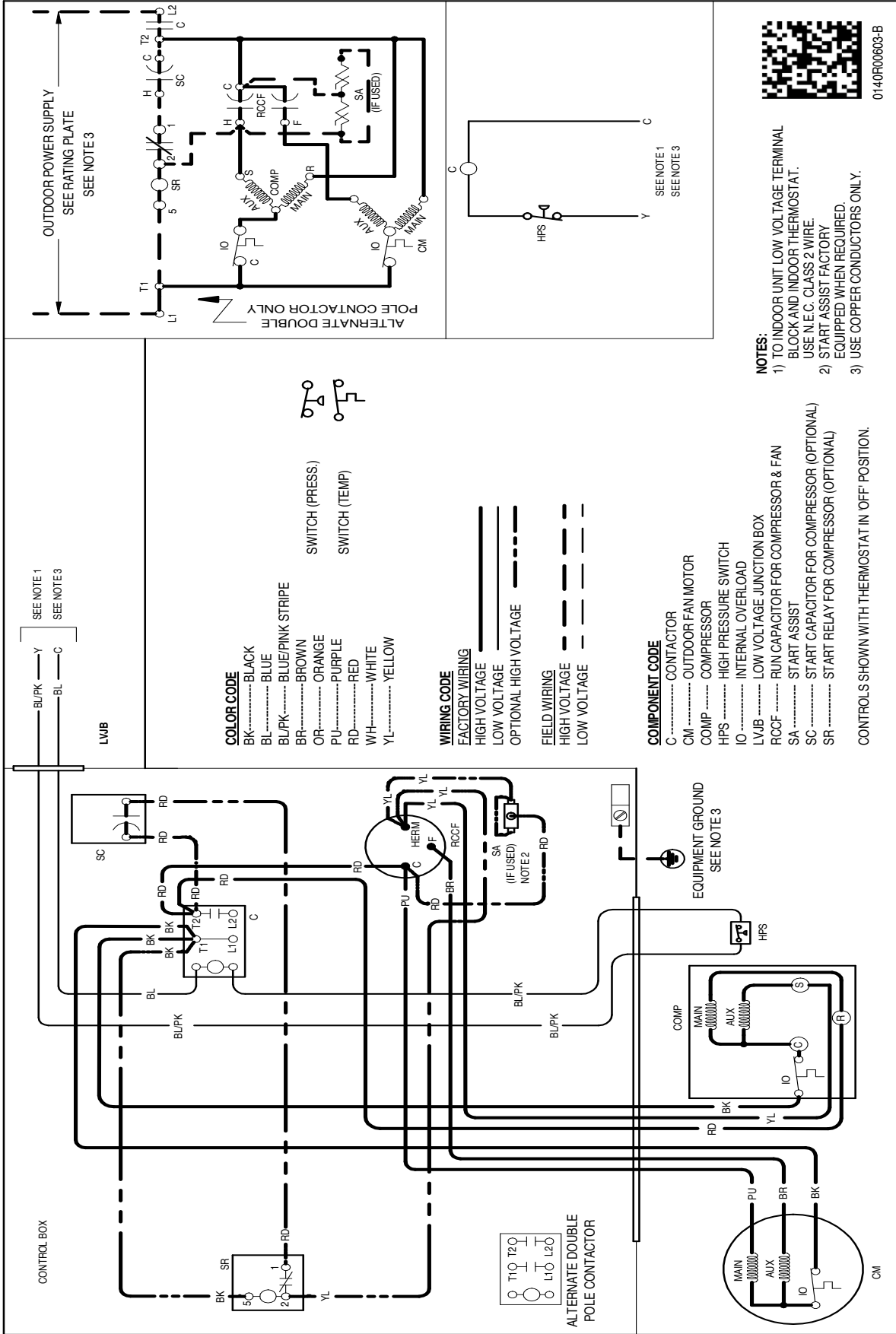
*Note: All the Dimensions (W, D, H) are for reference only.





WARNING

High Voltage: Disconnect all power before servicing or installing this unit. Multiple power sources may be present. Failure to do so may cause property damage, personal injury, or death.



WARNING

High Voltage: Disconnect all power before servicing or installing this unit. Multiple power sources may be present. Failure to do so may cause property damage, personal injury, or death.

Wiring is subject to change. Always refer to the wiring diagram or the unit for the most up-to-date wiring.

MODEL	DESCRIPTION	GLXS3BN 1810A*	GLXS3BN 2410A*	GLXS3BN 3010A*	GLXS3BN 3610A*	GLXS3BN 4210A*	GLXS3BN4 810A*	GLXS3BN 6010A*
0161R00128	Neutral Circular Cap	X	X	X	X	X	X	X
ABK-20	Anchor Bracket Kit ^	X	X	X	X	X	X	X
ASC01A	Anti-Short Cycle Kit	X	X	X	X	X	X	X
Factory Installed Hard Start Kit		X	X	X				
CSR-U-1	Hard-start Kit				X			
CSR-U-2	Hard-start Kit					X	X	X
CSR-U-3	Hard-start Kit						X	X
FSK01A ¹	Freeze Protection Kit	X	X	X	X	X	X	X
LSK02A ²	Liquid Line Solenoid Kit	X	X	X	X	X	X	X
LAKT01	Low-Ambient Kit	X	X	X	X	X	X	
0130R00000S	Low-Pressure Switch Kit	X	X	X	X	X	X	X

^ Contains 20 brackets; four brackets needed to anchor unit to pad

¹ Installed on indoor coil

² Condensing units and heat pumps with reciprocating or rotary compressors require the use of start-assist components when used in conjunction with an indoor coil using a non-bleed thermal expansion valve refrigerant metering device or liquid line solenoid kit. The TXV should always be sized based on the tonnage of the outdoor unit.

All AHRI system ratings are accessible in the System Configurator tool via PartnerLink.

