

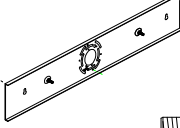
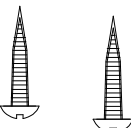
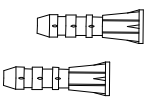



Fixture Name: Cercado 9018-VLL COB

This fixture assembled PO: \_\_\_\_\_ Date: \_\_\_\_\_

**Notice:** Please review the parts listing and check for all parts before assembling the fixture. If any parts are missing or damaged, please note on this sheet and contact the place of purchase to arrange for replacement parts.

## PARTS LIST

Company Name: \_\_\_\_\_ Co. Account #: \_\_\_\_\_  
below to be filled out by retailer

<p>Mounting plate</p>  <p>1ea L24"*W4-3/8"*H 5/8"</p>	<p>Wood screw</p>  <p>2ea 8/32-IP*1"</p>	<p>Anchor</p>  <p>2ea <math>\Phi</math>11mm*1"</p>
<p>Deco screws</p>  <p>4ea 5/32-IP</p>	<p>Wire connector</p>  <p>2 ea A3 Orange</p>	<p>Deco nut w/ rubber washer</p>  <p>4ea 5/32</p>

Part Needed _____	Quantity _____
Part Needed _____	Quantity _____
Reason why _____	
Comments ( missing, scratched, broken glass, bent, bad finish) _____	

## FIXTURE ASSEMBLY INSTRUCTIONS

**Read and review installation instruction sheet before assembling the fixture.**

- Carefully place the Glass (G) on the outer Cage frame (F), affix using Deco nut (E). Place rubber washer between glass and deco nuts to avoid breaking glass and tighten.
- Place the fixture Cage frame with the glass attached (G+F) onto the Back Plate (D-not shown) against the wall by threading Deco screws (E) until tight as shown on Fig.1

### 2 YEAR LIMITED WARRANTY

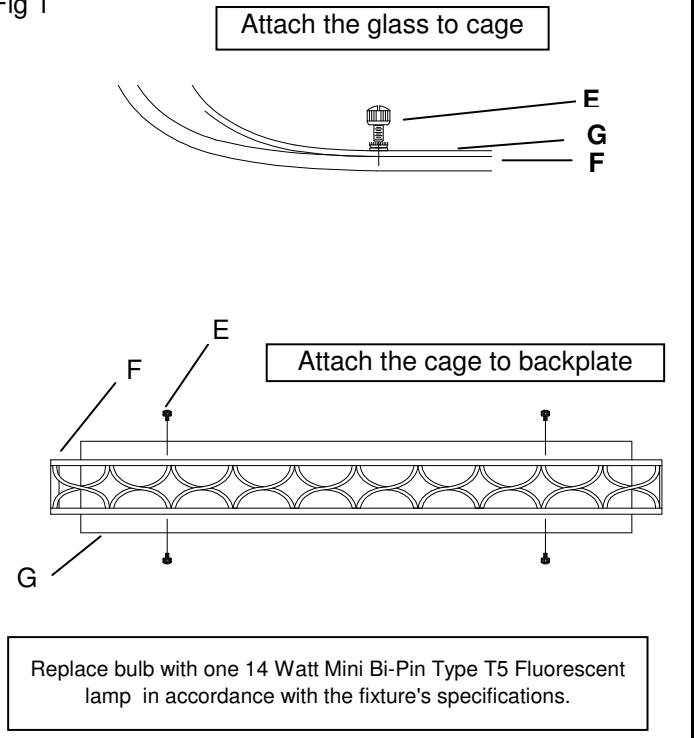
ENERGY STAR-qualified indoor lighting fixtures are offered, by Golden Lighting, a two (2) year limited warranty beginning on the date of the sales transaction. This warranty includes the repair or replacement of the fixture housing, optics, trim and electrical components (excluding the lamp).

**Warning:** When re-lamping, please use UL and CUL Listed Self-Ballast Fluorescent Lamp  
**Note:** Compact Fluorescent bulb contains Mercury  
 Dispose of according to local, State & Federal Law  
 1-800-555-5629 [www.lamprecycle.org](http://www.lamprecycle.org)

**NOTE: INSTALL THE GLASS ASSEMBLY AFTER THE FIXTURE IS HUNG.**

## 9018-VLL COB

Fig 1



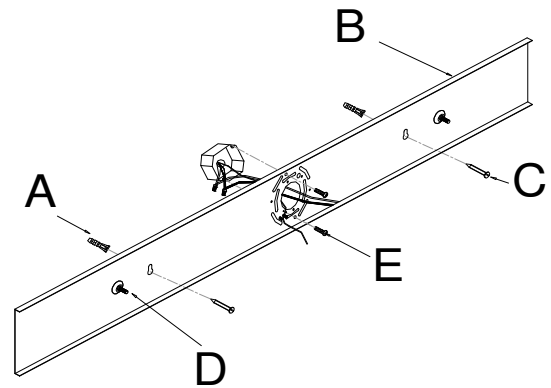
For Customer Service, contact the place of purchase to arrange for replacement parts.

## WARNING ! SHUT OFF POWER AT FUSE OR CIRCUIT BREAKER.

### HANGING THE FIXTURE (Fig.1)

1. Carefully remove the new fixture from the carton and the yellow bag that holds all your parts. Check that all parts are included as shown in the illustration and parts list.
2. Shut off power at the circuit breaker and remove the old fixture from wall, including the old mounting strap.
3. Hold Mounting Plate (B) up against the wall aligning the two holes in the Junction Box with appropriate slots in the Mounting Plate (B). Then while the Mounting Plate (B) is leveled horizontally, use a pen or pencil to make a mark on the wall at holes located near each end of mounting Plate (B). Set aside the Mounting Plate (B), pre-drill holes at the marks and insert Wall Anchors (A) into the two marks made on the wall.
4. Secure the Mounting plate (B) to wall by Screwing the wood screws (C) through holes of Mounting plate into plastic anchors (A) of the wall.
5. Thread the supply wires and ground wire from Junction Box through center holes in Mounting Plate(B).

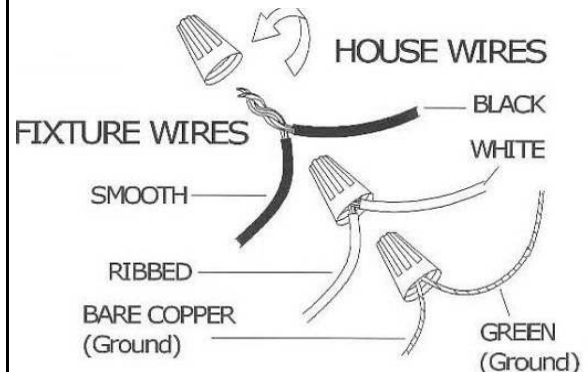
Fig. 1



### CONNECTING THE WIRES (Fig 2)

6. Attach the power supply wires to the fixture lead wires by connecting BLACK to BLACK (or SMOOTH) and WHITE to WHITE (or RIBBED).
  7. Attach the GROUND wire (GREEN or COPPER) from the Junction Box and the fixture Ground wire to the green Ground Screw on the Mounting Bracket (B) or connect both wires together using the correct size of wire connectors.
- NOTE: Twist the wires together in the same direction you twist the wire connector onto the wires.
8. Tuck these wire connections neatly into the Junction Box.

Fig. 2



### FINISHING THE INSTALLATION (Fig 3)

9. Place the fixture Back plate (D) onto the Mounting plate (B) against the wall and secure with Deco Screws (E) until tight as shown on Fig.3. The outer Cage frame will be attached after the glass is installed.

**YOUR INSTALLATION IS NOW COMPLETE. RETURN POWER TO THE JUNCTION BOX AND TEST THE FIXTURE.**

Fig. 3

