

# Assembly Instructions: 7312-SF

## IMPORTANT:

- ALL INSTALLATION WORK SHOULD BE DONE BY ACCREDITED PROFESSIONAL.
- SHUT OFF POWER SUPPLY AT FUSE OR CIRCUIT BREAKER!
- USE ONLY THE SPECIFIED BULBS. DO NOT EXCEED THE MAXIMUM WATTAGE!

For Customer Service, please contact the place of purchase.

## PREPARING FOR INSTALLATION

Remove all of the contents from the carton. See the important notes above. Shut off the power at the circuit breaker and completely remove the old fixture from the ceiling, including the old mounting strap.

1. Take the mounting strap assembly from the parts bag. Mounting strap (A) contains several threaded holes. Mounting screws (B) should be fixated in place with hex nuts (C) securing them to the mounting strap. If mounting screws (B) are not in place, hold the canopy up to the mounting strap and insert mounting screws (B) through the mounting strap into the exposed holes of the canopy until the screw threads protrude from the holes in the canopy. Remove the canopy and then secure mounting screws (B) in place on the mounting strap using hex nuts (C).
2. Place the mounting strap (A) over the junction box and secure the mounting strap to the junction box using mounting screws (D). Tighten the screws (D) securely with a screwdriver.
3. Pull house wires through the center of mounting strap (A).

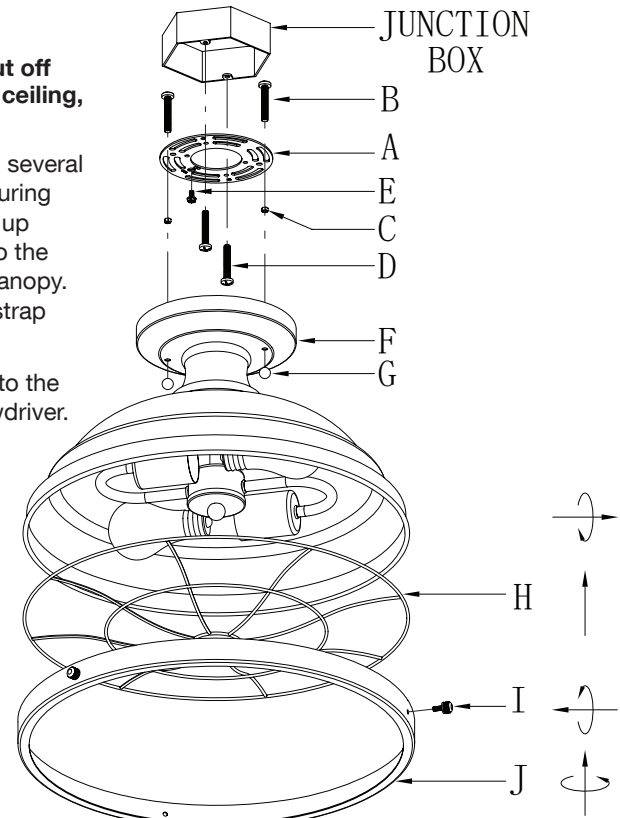
## CONNECTING THE WIRES

4. Have an assistant support the weight of the fixture while completing the wiring. Cut away any excess wire leaving 8 to 10 inches of wire for installation. Attach the fixture's wires to the house wires which were pulled earlier from the junction box through the mounting strap (A). Connect black to black (transparent wire with black inner thread or smooth); white to white (transparent wire with white inner thread or ribbed); ground to ground (transparent wire with green inner thread, green, or copper). Twist the ends of the wire pairs together, and then twist on a wire connector. Make sure all twists are in the same direction. If there is no ground wire (green or copper) coming from the junction box, locate ground screw (E) on the mounting strap and wrap the fixture's ground wire around the green ground screw (E). Use a screwdriver to secure ground screw (E) onto the mounting bracket. Tuck all wires neatly into the junction box.

## FINISHING THE INSTALLATION

5. Hold the fixture body up to the mounting strap. Push the canopy (F) over the mounting strap (A) until mounting screws (B) protrude from the holes in the canopy.
6. Thread deco nuts (G) onto the exposed threads of mounting screws (B). Tighten deco nuts (G) so that the nuts are securing the canopy (F) to the mounting strap (A) and that the canopy is snug against the ceiling.
7. Install light bulbs (not provided) in accordance with the fixture's specifications. Do not exceed the maximum recommended wattage.
8. Hold the cage (H) up to the bottom of the fixture over the installed light bulbs.
9. Slip fixture cage strap (J) over the cage (H) until the fixture cage strap (J) is touching the fixture body. Align the holes found on fixture cage strap (J) with the holes on the fixture body. Secure the cage and fixture cage strap to the fixture body using screws (I). Tighten screws to secure.

Your installation is now complete. Turn on the power and test the fixture.



| How to Identify the Fixture's Wires |                    |  |
|-------------------------------------|--------------------|--|
| Hot                                 | Neutral            | Ground                                   |
| Smooth                              | Ribbed             | Bare Metal, Green, or Green Inner Thread |
| Black                               | White              |  |
| Black Inner Thread                  | White Inner Thread |  |

| House Wires |         |
|-------------|---------|
| Hot         | Neutral |
| Hot         | Ground  |
| Neutral     |         |
| Ground      |         |

## CLEANING TIPS

Treat the fixture gently! Regular cleaning will reduce the need for deep cleaning. For regular cleaning, turn off the light and wipe down the fixture with a clean lint-free cotton or microfiber cloth. Never spray cleaner directly onto the fixture.