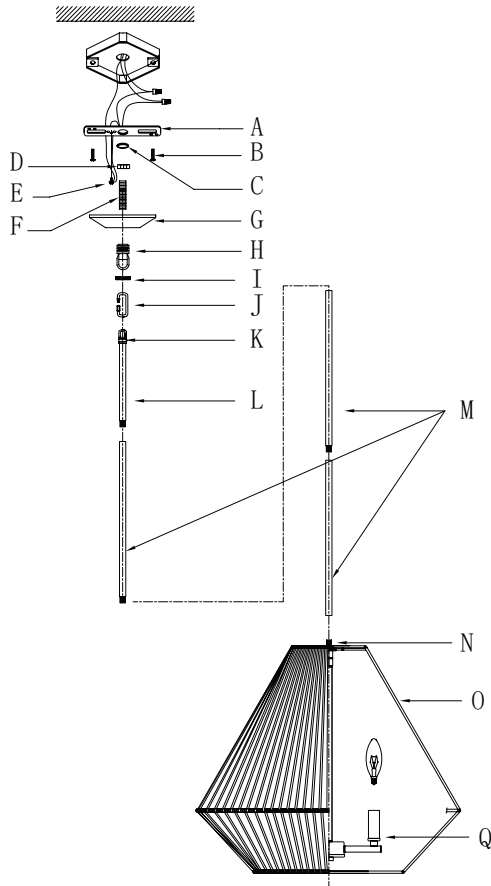


Assembly Instructions: 6937-4P

IMPORTANT:

- ALL INSTALLATION WORK SHOULD BE DONE BY ACCREDITED PROFESSIONAL.
- SHUT OFF POWER SUPPLY AT FUSE OR CIRCUIT BREAKER!
- USE ONLY THE SPECIFIED BULBS. DO NOT EXCEED THE MAXIMUM WATTAGE!

For Customer Service, please contact the place of purchase.



PREPARING FOR INSTALLATION

Remove all of the contents from the carton. See the important notes above. Shut off the power at the circuit breaker and completely remove the old fixture from the ceiling, including the old mounting strap.

1. From the parts bag remove the mounting strap assembly. One end of nipple (F) should be attached to mounting strap (A) with washer and hex nuts (C & D) in place. The other end should have canopy loop (H) and canopy loop collar (I) attached. Attach mounting strap (A) to the junction box using mounting screws (B) and a screwdriver. Tighten securely. Pull house wires through the center of the mounting strap.

2. Unscrew canopy loop collar (I) from canopy loop (H) and slide down. Pass canopy (G) over the mounted canopy loop (H) to test the fixture height. Approximately half of the exterior threads of the canopy loop (H) should be exposed, and the canopy loop collar should fit snugly onto the canopy loop. If need be, remove canopy (G) and adjust the height of nipple (F) and canopy loop (H) until the desired height is reached.

ASSEMBLING THE FIXTURE

3. Measure to determine the correct number of rods (L & M) needed for proper hanging height. To shorten the fixture, slide the desired number of excess rods off. If additional rods are needed, please contact the place of purchase to order more. Sockets (Q) should already be attached to shade (O). Feed the fixture wires from nipple (N) through bottom rod (M). Thread bottom rod (M) onto nipple (N). Pull the wires until taut.

4. Feed fixture wires through rods. Thread rods (L & M) together until desired fixture height is achieved. Pull wires until taut. Attach small loop (K) to the end of the final rod (L). Use chain connector (J) to attach small loop (K) to canopy loop (H). Close the chain connector (J) to secure. Feed wires through chain connector, small loop, canopy loop, and canopy. Pull the wires until taut. Trim the wires to the desired length plus 8 to 10 inches.

How to Identify the Fixture's Wires		
Hot	Neutral	Ground
Smooth	Ribbed	Bare Metal, Green, or Green Inner Thread
Black	White	Black Inner Thread
Black Inner Thread	White Inner Thread	Ground

CONNECTING THE WIRES

5. Have an assistant support the weight of the fixture while completing the wiring. Attach the fixture's wires to the house wires which were pulled earlier from the junction box through the mounting strap (A). Connect black to black (transparent wire with black inner thread, black wire, or smooth wire); white to white (transparent wire with white inner thread, white wire, or ribbed); ground to ground (transparent wire with green inner thread, green wire, or copper). Twist the ends of the wire pairs together, and then twist on a wire connector. Make sure all twists are in the same direction. If there is no ground wire (green or copper) coming from the junction box, locate ground screw (E) on the mounting strap and wrap the fixture's ground wire around the green ground screw (E). Use a screwdriver to secure ground screw (E) onto the mounting bracket. Tuck all wires neatly into the junction box.

FINISHING THE INSTALLATION

6. Push canopy (G) up to the ceiling and slide canopy loop collar (I) up beneath the canopy (G). Tightly thread canopy loop collar (I) onto canopy loop (H) to secure canopy (G) in place.

Install light bulbs (not included) into sockets (Q) in accordance with the fixture's specifications. Do not exceed maximum recommended wattage.

Your installation is now complete. Turn on the power and test the fixture.

CLEANING TIPS

Treat the fixture gently! Regular cleaning will reduce the need for deep cleaning. For regular cleaning, turn off the light and wipe down the fixture with a clean lint-free cotton or microfiber cloth. Never spray cleaner directly onto the fixture.

