

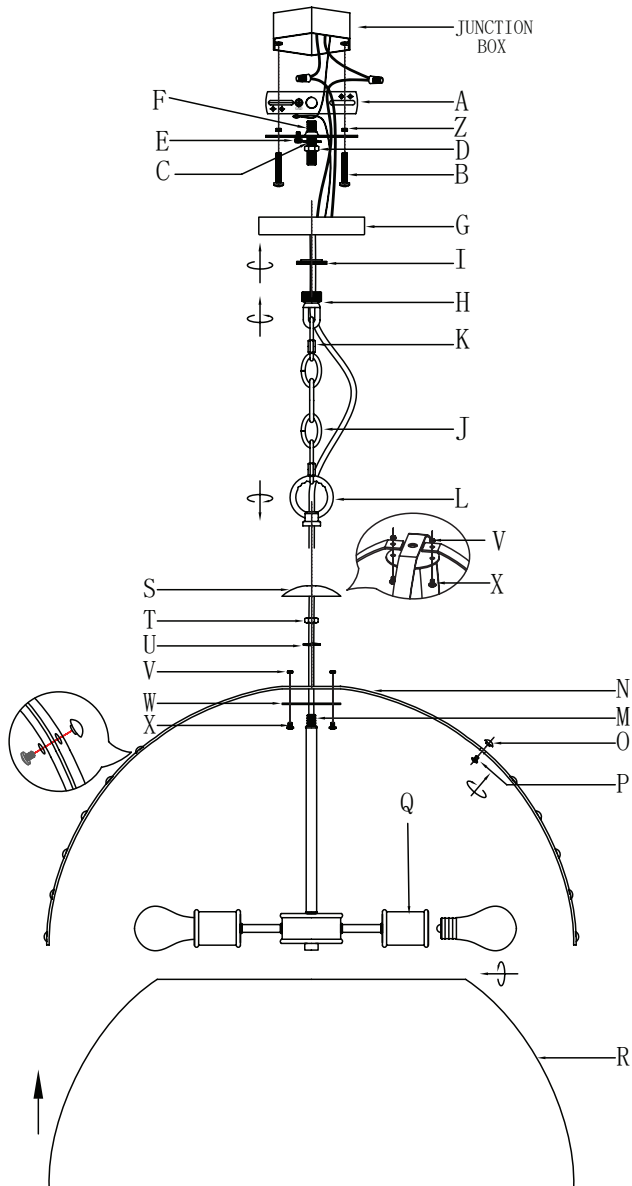
Assembly Instructions: 6928-3P/5P/8P (Aldrich)

BE CAREFUL TO AVOID SCRATCHING THE SHADE SURFACE.

IMPORTANT:

- ALL INSTALLATION WORK SHOULD BE DONE BY ACCREDITED PROFESSIONAL.
- SHUT OFF POWER SUPPLY AT FUSE OR CIRCUIT BREAKER!
- USE ONLY THE SPECIFIED BULBS. DO NOT EXCEED THE MAXIMUM WATTAGE!

For Customer Service, please contact the place of purchase.



PREPARING FOR INSTALLATION

Remove all of the contents from the carton. See the important notes above. Shut off the power at the circuit breaker and completely remove the old fixture from the ceiling, including the old mounting strap.

1. Take the mounting strap assembly from the parts bag. One end of nipple (F) should be attached to mounting strap (A) with washer (D) and hex nut (C) in place. Canopy loop (H) is attached to the other end. Securely attach mounting strap (A) to the junction box using mounting screws (B) and a screwdriver.
2. Unscrew canopy loop collar (I) from canopy loop (H). Pass canopy (G) over the mounted canopy loop to test the height. Approximately half of the canopy loop's exterior threads should be exposed, and the canopy loop collar should fit snugly onto the canopy loop. Remove canopy (G) and adjust the height of nipple (F) and canopy loop (H) until the desired height is reached.

ASSEMBLING THE FIXTURE

3. Be careful to avoid scratching the shade surface. Attach washer (W) to metal straps (N) with screws (X) and nuts (V). Place metal shade (R) on a flat surface. Tilt and carefully place light cluster (Q) inside of the opening of metal shade (R). Allow straps (N) and washer (W) to come down the wires and rest over post (M) and metal shade (R). Line up the holes in the shade with the holes in the straps and carefully connect the straps to the shade with rivets (O) and tiny screws (P). Gently pull the wires and the top of light cluster (Q) up against washer (W) and straps (N). Use hex nut (T) and washer (U) to lock the strap in place on top of the light cluster.
4. Cover the connection with top cap (S) before threading top loop (L) onto post (M).
5. Measure to determine the correct length of chain needed for proper hanging height. If necessary, use a pair of pliers to open and remove any excess chain. Attach one of chain connectors (K) to chain (J). It is possible to use no chain by connecting top loop (L) to canopy loop (H) with one of chain connectors (K). Pass the fixture's wires through top loop (L). Attach one end of chain connector (K) to top loop (L) and close chain connector (K). Feed the fixture's wires up through the chain (every three links or so), pulling the wires until taut. Use the free chain connector (K) to attach chain (J) to canopy loop (H). Slide canopy loop collar (H) and canopy (G) down onto the

CONNECTING THE WIRES

6. Have an assistant support the fixture's weight while completing the wiring. Refer to the wiring diagram and attach the fixture's wires to the power supply wires from the junction box. Connect Hot to Hot, Neutral to Neutral, and Ground to Ground. Twist the ends of the wire pairs together, and then twist on a wire connector. Make sure all twists are in the same direction. If there is no house ground wire coming from the junction box, locate ground screw (E) on the mounting bracket/mounting strap and wrap the fixture's ground wire around the ground screw. Use a screwdriver to tighten the top of ground screw (E) onto the wires and into the mounting bracket/mounting strap. Tuck the wires into the junction box.

How to Identify the Fixture's Wires		
Hot	Neutral	Ground
Smooth	Ribbed	Bare Metal, Green, or Green Inner Thread
Black	White	Green Inner Thread
Black Inner Thread	White Inner Thread	

FINISHING THE INSTALLATION

7. Push canopy (G) up to the ceiling and slide canopy loop collar (I) up beneath the canopy. Tightly thread canopy loop collar (I) onto canopy loop (H) to secure canopy (G) in place.
8. Install light bulbs (not provided) in accordance with the fixture's specifications. Do not exceed the maximum recommended wattage.

Your installation is now complete. Turn on the power and test the fixture.

CLEANING TIPS

Treat the fixture gently! Regular cleaning will reduce the need for deep cleaning. For regular cleaning, turn off the light and wipe down the fixture with a clean lint-free cotton or microfiber cloth. Never spray cleaner directly onto the fixture.

