

Assembly Instructions: 0838-4P (Finley)

IMPORTANT:

- ALL INSTALLATION WORK SHOULD BE DONE BY ACCREDITED PROFESSIONAL.
- SHUT OFF POWER SUPPLY AT FUSE OR CIRCUIT BREAKER!
- USE ONLY THE SPECIFIED BULBS. DO NOT EXCEED THE MAXIMUM WATTAGE!

For Customer Service, please contact the place of purchase.

PREPARING FOR INSTALLATION

Remove all of the contents from the carton. See the important notes above. Shut off the power at the circuit breaker and completely remove the old fixture from the ceiling, including the old mounting strap.

1. From the parts bag remove the mounting strap assembly. One end of nipple (F) should be attached to mounting strap (A) with washer (C) and hex nut (D) in place. The other end should have canopy loop (H) attached. Attach mounting strap (A) to the junction box using mounting screws (B) and a screwdriver. Tighten securely.

2. Unscrew canopy loop collar (I) from canopy loop (H). Pass canopy (G) over the mounted canopy loop to test the height. Approximately half of the canopy loop's exterior threads should be exposed, and the canopy loop collar should fit snugly onto the canopy loop. Remove canopy (G) and adjust the height of nipple (F) and canopy loop (H) until the desired height is reached.

ASSEMBLING THE FIXTURE

3. Thread rod (N) into post (O) at the center of the lamp cluster. Tilt the lamp cluster and insert the hook at the top of rod (N) into loop (M). Pull the wires taut through top loop (L) and the bottom of top loop (L) into the top of threaded rod (N). Use thumb screws (Q) to connect top cap (M) to the fixture's cage/body (P).

4. By measuring, determine the correct number of chain links needed for proper hanging height. If necessary, use a pair of pliers to open and remove any excess chain.

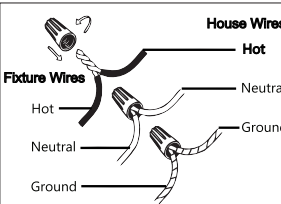
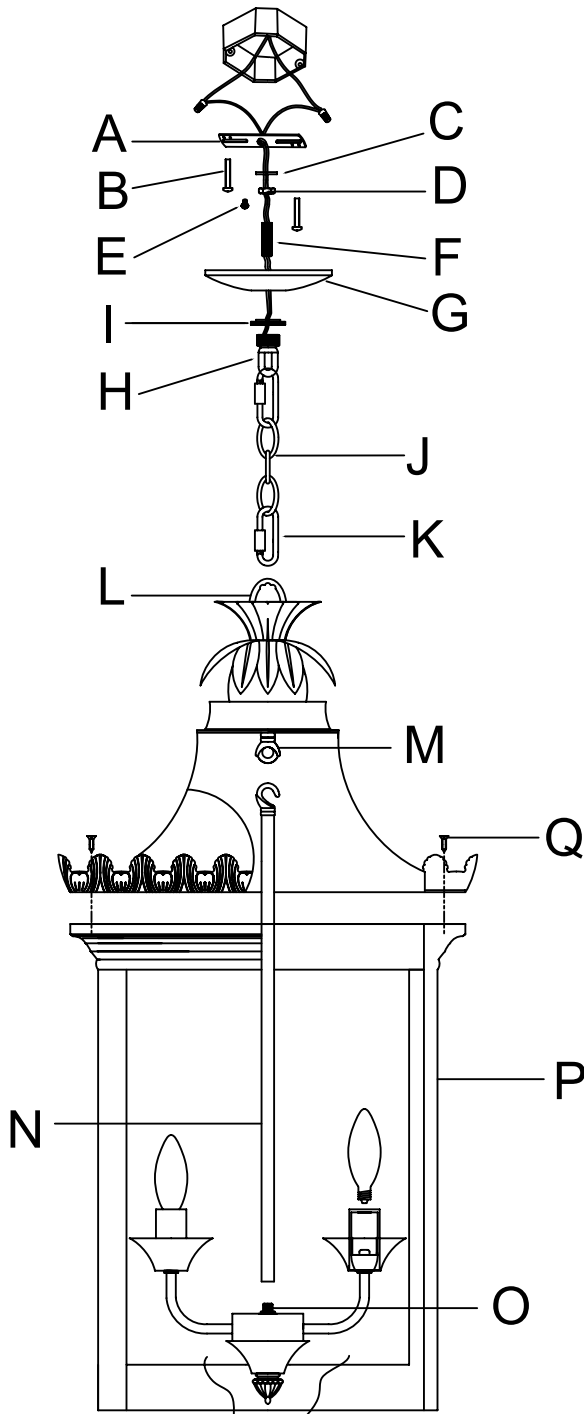
5. Attach chain connectors (K) to each end of chain (J) before attaching one end of the chain connector/chain to top loop (L). Close the chain connector. Connect the other chain connector (K) to canopy loop (H).

6. Pass the fixture's wires up through chain (J) (every three links or so). Slide canopy loop collar (I) and canopy (G) onto the chain/wire.

CONNECTING THE WIRES

7. Have an assistant support the weight of the fixture while completing the wiring. Cut away excess wire. Thread the fixture's wires through canopy loop (H) and nipple (F). Attach the fixture's wires to the power supply wires from the junction box. Connect black to black (or smooth); white to white (or ribbed); ground to ground (green or copper). Twist the ends of the wire pairs together, and then twist on a wire connector. Make sure all twists are in the same direction. If there is no ground wire (green or copper) coming from the junction box, locate ground screw (E) on mounting strap (A) and wrap the fixture's ground wire around the green ground screw (E). Use a screwdriver to secure ground screw (E) onto the mounting bracket. Tuck all wires neatly into the junction box.

How to Identify the Fixture's Wires		
Hot	Neutral	Ground
Smooth	Ribbed	Bare Metal, Green, or Green Inner Thread
Black	White	
Black Inner Thread	White Inner Thread	

FINISHING THE INSTALLATION

8. Push canopy (G) up to the ceiling and slide canopy loop collar (I) up beneath the canopy. Tightly thread canopy loop collar (I) onto canopy loop (H) to secure canopy (G) in place.

9. Install light bulbs (not provided) in accordance with the fixture's specifications. Do not exceed the maximum recommended wattage. Your installation is now complete. Turn on the power and test the fixture.

CLEANING TIPS

Treat the fixture gently! Regular cleaning will reduce the need for deep cleaning. For regular cleaning, turn off the light and wipe down the fixture with a clean lint-free cotton or microfiber cloth. Never spray cleaner directly onto the fixture.