

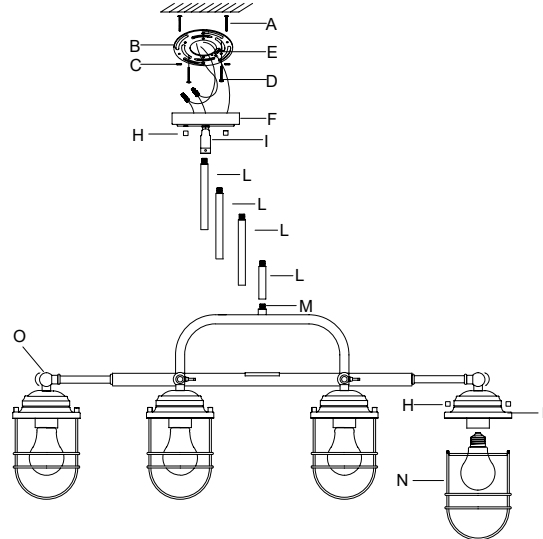
Assembly Instructions: 9808-LP (Seaport)

IMPORTANT:

- ALL INSTALLATION WORK SHOULD BE DONE BY ACCREDITED PROFESSIONAL.
- SHUT OFF POWER SUPPLY AT FUSE OR CIRCUIT BREAKER!
- USE ONLY THE SPECIFIED BULBS. DO NOT EXCEED THE MAXIMUM WATTAGE!

For Customer Service, please contact the place of purchase.

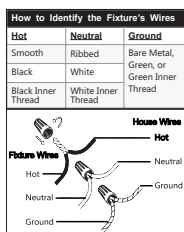
Remove all of the contents from the carton. See the important notes above. Shut off the power at the circuit breaker and completely remove the old fixture from the ceiling, including the old mounting strap.



1. Take the mounting strap assembly from the parts bag. Mounting strap (B) contains several threaded holes. Two of mounting screws (A) should be attached to mounting strap (B). You may need to tighten nuts (C) that hold these screws in place. If the screws are not attached, please hold canopy (F) up to mounting strap (B). Line up the holes in canopy (F) with the holes in mounting strap (B) and insert mounting screws (A) into mounting strap (B) so that mounting screws (A) protrude through the holes in canopy (F). Mounting screws (A) are long, so please test the canopy against the mounting strap to see how far you should insert the screws. Tighten nuts (C) onto mounting screws (A) to hold the screws in place.
2. Place mounting strap (B) over the junction box and secure mounting strap (B) in place with mounting screws (D) and a screwdriver.

ASSEMBLING THE FIXTURE

3. Rods (L) are on the fixture's wires, but not connected to the fixture. By measuring, determine the correct number of rods needed for proper hanging height. Connect rods (L) together and then to the fixture body at post (M). To lengthen the fixture, add additional rods. If additional rods are desired, contact the place of purchase to order. To shorten the fixture, slide any excess rods off the fixture's wires to discard. Trim the wires after adding at least 8 to 10 inches of wire to the desired length. Note: You can install the fixture without rods, by connecting post (M) directly into swivel (I). Twist top rod (L) onto the threads of swivel (I) of canopy (F). Lock the rod in place by twisting the screw on swivel (I). Pull the fixture's wires through the top of canopy (F).



CONNECTING THE WIRES

4. Have an assistant support the fixture's weight while completing the wiring. Refer to the wiring diagram and attach the fixture's wires to the power supply wires from the junction box. Connect Hot to Hot, Neutral to Neutral, and Ground to Ground. Twist the ends of the wire pairs together, and then twist on a wire connector. Make sure all twists are in the same direction. If there is no house ground wire coming from the junction box, locate ground screw (E) on the mounting bracket/mounting strap and wrap the fixture's ground wire around the ground screw. Use a screwdriver to tighten the top of ground screw (E) onto the wires and into the mounting bracket/mounting strap. Tuck the wires into the junction box.

FINISHING THE INSTALLATION

5. Push canopy (F) up to the ceiling and tightly thread nuts (H) onto the exposed threads of mounting screws (A).
6. Install light bulbs (not provided) based on the fixture's specifications. Do not exceed the maximum wattage.
7. Slide metal cages (N) up to the bottom of caps (P). Secure the metal cages in place with the remaining decorative nuts (H).

Please note that you can move the light source at joints (O) to adjust the angle of the light source.

Your installation is now complete. Turn on the power and test the fixture.

CLEANING TIPS

Treat the fixture gently! Regular cleaning will reduce the need for deep cleaning. For regular cleaning, turn off the light and wipe down the fixture with a clean lint-free cotton or microfiber cloth. Never spray cleaner directly onto the fixture.