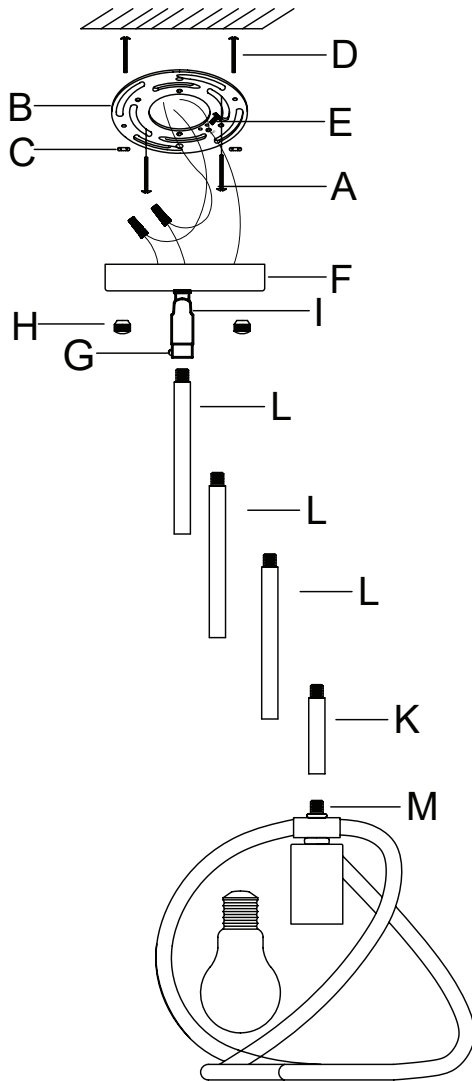


Assembly Instructions: 2618-M1L (Cosmic)

IMPORTANT:

- ALL INSTALLATION WORK SHOULD BE DONE BY ACCREDITED PROFESSIONAL.
- SHUT OFF POWER SUPPLY AT FUSE OR CIRCUIT BREAKER!
- USE ONLY THE SPECIFIED BULBS. DO NOT EXCEED THE MAXIMUM WATTAGE!

For Customer Service, please contact the place of purchase.



PREPARING FOR INSTALLATION

Remove all of the contents from the carton. See the important notes above. Shut off the power at the circuit breaker and completely remove the old fixture from the ceiling, including the old mounting strap.

1. Take the mounting strap assembly from the parts bag. Mounting strap (B) should have mounting screws (D) attached. You may need to tighten hex nuts (C) that hold the screws in place.

2. Use mounting screws (A) and a screw driver to attach mounting strap (B) to the junction box.

ASSEMBLING THE FIXTURE

3. Rods (K and L) are on the fixture's wires. By measuring, determine the correct number of rods needed for proper hanging height.

To lengthen the fixture, add additional rods. If additional rods are needed, contact the place of purchase to order.

To shorten the fixture, add at least 8 to 10 inches of wire to the desired length and trim the wires. Slide any excess rods off the fixture's wires to discard.

4. Pull the wires taut through the rods before threading the rods together. Thread bottom rod (K or L) onto post (M) at the center of the fixture's body.

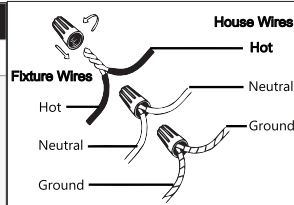
5. Twist the top rod (K or L) into the threads of swivel post (I) of canopy (F). Lock the rod(s) in place by twisting thumb screw (G). Pull the fixture's wires through the top of canopy (F).

CONNECTING THE WIRES

6. Have an assistant support the weight of the fixture while completing the wiring. Cut away excess wire. Thread the fixture's wires through canopy loop (H) and nipple (F). Attach the fixture's wires to the power supply wires from the junction box. Connect black to black (or smooth); white to white (or ribbed); ground to ground (green or copper). Twist the ends of the wire pairs together, and then twist on a wire connector. Make sure all twists are in the same direction. If there is no ground wire (green or copper) coming from the junction box, locate ground screw (E) on mounting strap (A) and wrap the fixture's ground wire around the green ground screw (E). Use a screwdriver to secure ground screw (E) onto the mounting bracket. Tuck all wires neatly into the junction box.

How to Identify the Fixture's Wires

Hot	Neutral	Ground
Smooth	Ribbed	Bare Metal, Green, or Green Inner Thread
Black	White	
Black Inner Thread	White Inner Thread	



FINISHING THE INSTALLATION

7. Raise canopy (F) to the ceiling. Position canopy (F) so that mounting screws (D) so that they protrude through the openings of canopy (F). Secure canopy (F) to mounting strap (B) with decorative nuts (H).

8. Install a light bulb (not provided) in accordance with the fixture's specifications. Do not exceed the maximum recommended wattage.

Your installation is complete. Turn on the power and test the fixture.

CLEANING TIPS

Treat the fixture gently! Regular cleaning will reduce the need for deep cleaning. For regular cleaning, turn off the light and wipe down the fixture with a clean lint-free cotton or microfiber cloth. Never spray cleaner directly onto the fixture.