

Assembly Instructions: 8401-LP (Leighton)

IMPORTANT:

- ALL INSTALLATION WORK SHOULD BE DONE BY ACCREDITED PROFESSIONAL.
- SHUT OFF POWER SUPPLY AT FUSE OR CIRCUIT BREAKER!
- USE ONLY THE SPECIFIED BULBS. DO NOT EXCEED THE MAXIMUM WATTAGE!

For Customer Service, contact the place of purchase.

PREPARING FOR INSTALLATION

Remove all of the contents from the carton. See the important notes above. Remove the old fixture from the ceiling, including the old mounting strap.

1. Take the mounting strap assembly from the parts bag. One end of nipple (F) should be attached to mounting strap (A) with a washer and hex nut (C and D) in place.
2. Use a screwdriver and mounting screws (B) to attach mounting strap (A) to the junction box.

ASSEMBLING THE FIXTURE

3. Place lantern (M) on a flat surface. Place spacers (P) over posts (V) and thread decorative screws (Q) into posts (V). Place lamp bodies (U) close to lantern (M).

4. Rods (N) are on the fixture's wires, but not attached to lamp bodies (U). Pull the wires until taut and thread the bottom of rods (N) onto posts (O). Position lamp bodies (U) inside lantern (M). Push the fixture's wires followed by post (T) of rods (N) through the holes located at the top of lantern (M).

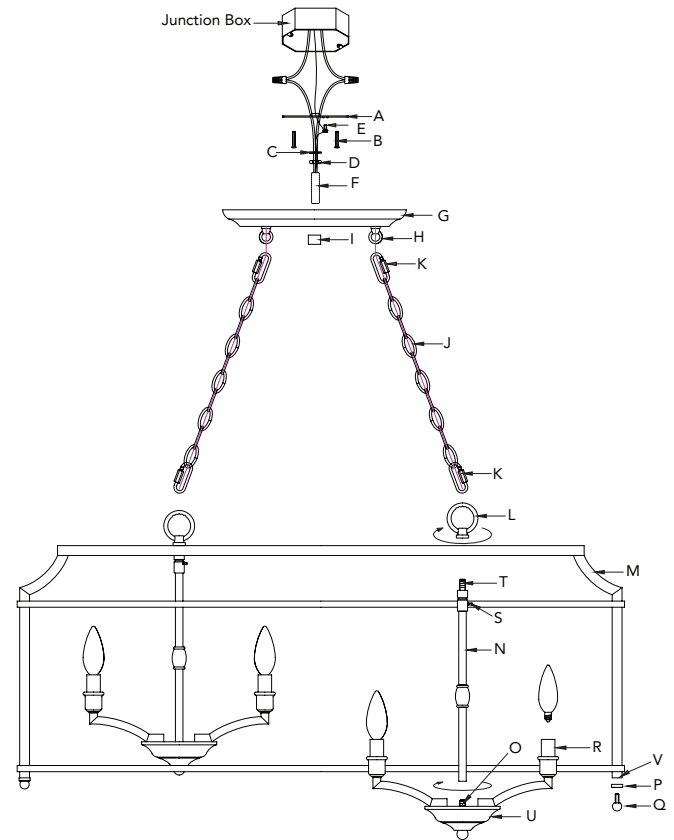
5. Slide top loops (L) onto the fixture's wires and thread onto post (T) to attach lamp bodies (U) to lantern (M).

6. By measuring, determine the correct number of chain links needed for proper hanging height. If necessary, use a pair of pliers to open and remove any excess chain. Additional chain may be ordered through the place of purchase.

7. Attach chain connectors (K) to each end of chains (J) before attaching one end of the chain connector/chain to top loops (L). Close the chain connectors. Feed the fixture's wires through top loops (L) then through chain (J) (every three links or so). Pull the wires until taut. Pass the wires through the holes at canopy loops (H). Connect the loose ends of chains (J) to canopy (G) by attaching chain connectors (K) to canopy loops (H).

CONNECTING THE WIRES

8. Have an assistant support the fixture's weight while completing the wiring. Cut away the excess wires. Refer to the wiring diagram below and attach the fixture's wires to the power supply wires from the junction box. Connect Hot to Hot, Neutral to Neutral, and Ground to Ground. Twist the ends of the wire pairs together, and then twist on a wire connector. Make sure all twists are in the same direction. If there is no house ground wire coming from the junction box, locate ground screw (E) on the mounting bracket/mounting strap and wrap the fixture's ground wire around the ground screw. Use a screwdriver to tighten the top of ground screw (E) onto the wires and into the mounting bracket/mounting strap. Tuck the wires into the junction box.



FINISHING THE INSTALLATION

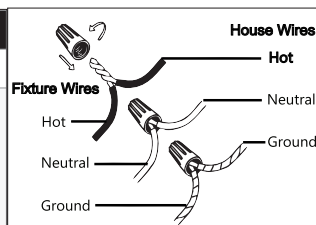
9. Push the canopy up to the ceiling. Tightly thread finial (I) onto the threads of nipple (F) to secure the canopy in place.

10. Install light bulbs (not provided) in accordance with the fixture's specifications. Do not exceed the maximum recommended wattage.

Your installation is complete. Turn on the power and test the fixture.

How to Identify the Fixture's Wires

Hot	Neutral	Ground
Smooth	Ribbed	Bare Metal, Green, or Green Inner Thread
Black	White	
Black Inner Thread	White Inner Thread	



CLEANING TIPS

Treat the fixture gently! Regular cleaning will reduce the need for deep cleaning. For regular cleaning, turn off the light and wipe down the fixture with a clean lint-free cotton or microfiber cloth. Never spray cleaner directly onto the fixture.