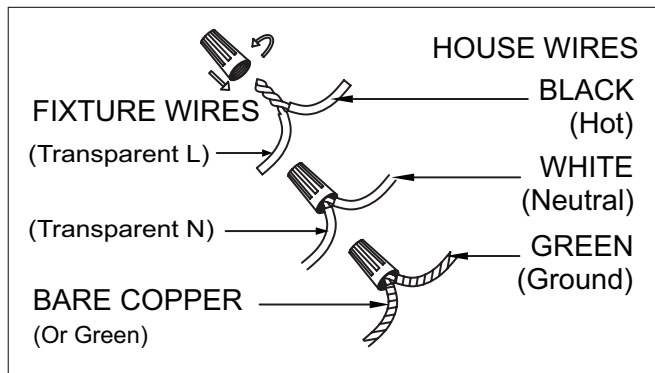
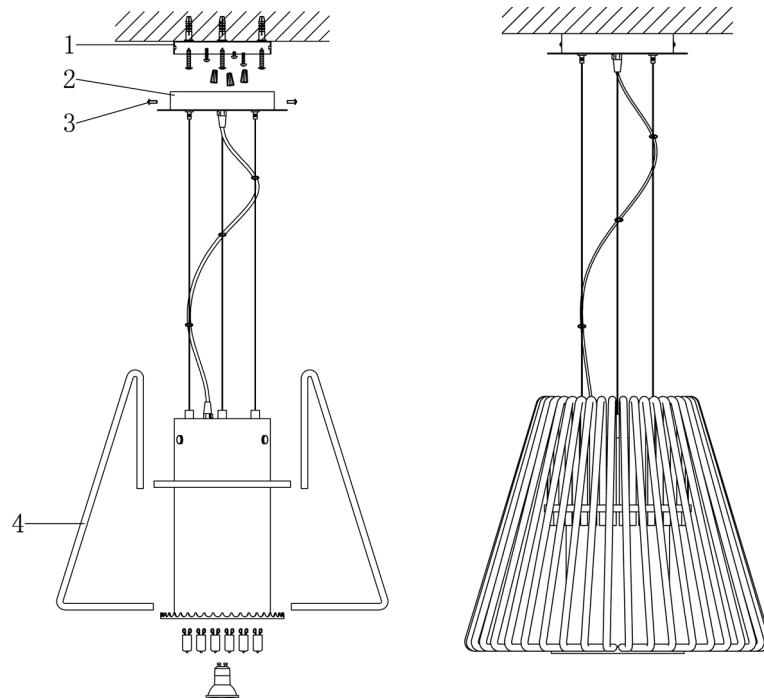


Assembly Instructions: C182-S/M/L (Delhi)

IMPORTANT:

- ALL INSTALLATION WORK SHOULD BE DONE BY ACCREDITED PROFESSIONAL.
- SHUT OFF POWER SUPPLY AT FUSE OR CIRCUIT BREAKER!
- USE ONLY THE SPECIFIED BULBS. DO NOT EXCEED THE MAXIMUM WATTAGE!

For Customer Service, contact the place of purchase to arrange for replacement parts.



CONNECTING THE WIRES

Attach the power supply wires from the junction box to the fixture's connection wires. Connect black to transparent L and white to transparent N. Attach the ground wire (green or copper) to the ground wire from the junction box. If there is no ground wire at the junction box, attach the fixture ground wire to the green ground screw. Twist the wires together in the same direction that you twist the wire connectors onto the wires and tuck the wires into the junction box.

FINISHING THE INSTALLATION

Attach mounting bracket (1) to the mounting strap using screws. Attach canopy (2) to mounting bracket (1) using mounting screws (3) and a screwdriver. Install the bulbs as demonstrated in the diagram. See bulb note below. Install glass rods (4) to the fixture body.

Bulb note: Use a tissue or paper towel to hold the bulb and push down into socket. Oils or dirt can cause the bulb life to shorten. Rubbing alcohol is recommended to clean the bulbs if dirty.

YOUR INSTALLATION IS NOW COMPLETE. YOU MAY RESTORE POWER TO THE JUNCTION BOX AND TEST THE FIXTURE.

HANGING THE FIXTURE

The mounting strap contains several holes. Find the pair of holes that matches the spacing of the holes on the junction box. Place the mounting strap over the junction box and attach using screws and a screw driver.

CLEANING ADVICE:

- To avoid scratches, always use dry, smooth cloths to dust the fixture.
- Never use wet or abrasive cleaning products to clean the light fixture.
- For major cleaning, please disconnect the power at the main switch.

