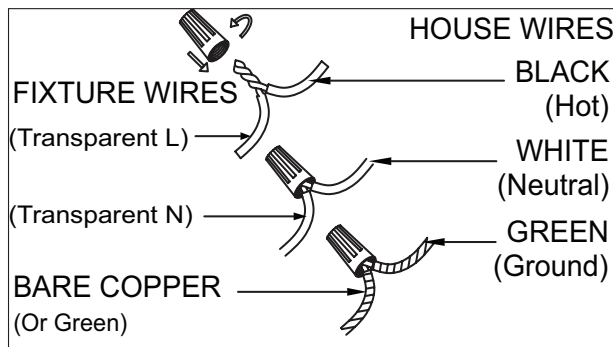
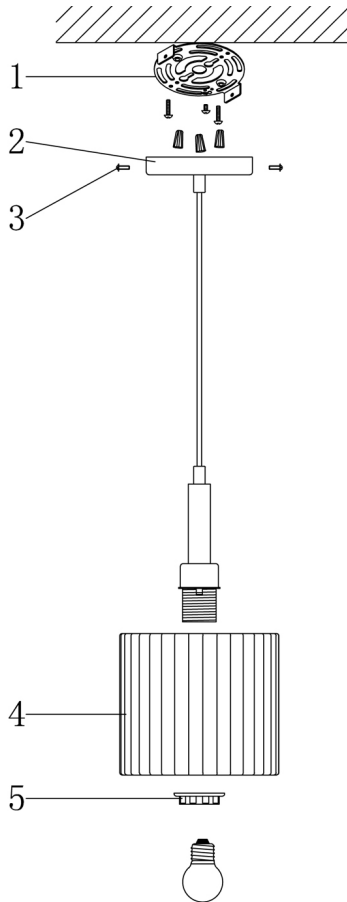


Assembly Instructions: C177-01-CH (Solal)

IMPORTANT:

- ALL INSTALLATION WORK SHOULD BE DONE BY ACCREDITED PROFESSIONAL.
- SHUT OFF POWER SUPPLY AT FUSE OR CIRCUIT BREAKER!
- USE ONLY THE SPECIFIED BULBS. DO NOT EXCEED THE MAXIMUM WATTAGE!



HANGING THE FIXTURE

Mounting strap (1) contains several holes. Find the pair of holes that matches the spacing of the holes on the junction box.

CONNECTING THE WIRES

Attach the power supply wires from the junction box to the fixture's connection wires. Connect black to transparent L and white to transparent N. Attach the ground wire (green or copper) to the ground wire (green or copper) from the junction box. If there is no ground wire at the junction box, attach the fixture ground wire to the green ground screw. Twist the wires together in the same direction that you twist the wire connectors onto the wires and tuck the wires into the junction box.

FINISHING THE INSTALLATION

Attach canopy (2) to the mounting strap (1) using mounting screws (3) and a screwdriver.

Install lamp shade (4) to the fixture body. Secure in place using socket rings (5). Install the bulbs.

(DO NOT EXCEED THE MAXIMUM WATTAGE RATING!)

YOUR INSTALLATION IS NOW COMPLETE. RESTORE POWER TO THE JUNCTION BOX AND TEST THE FIXTURE.

For Customer Service, contact the place of purchase to arrange for replacement

CLEANING ADVICE:

- To avoid scratches, always use dry, smooth cloths to dust the fixture.
- Never use wet or abrasive cleaning products to clean the light fixture.
- For major cleaning, please disconnect the power at the main switch.

