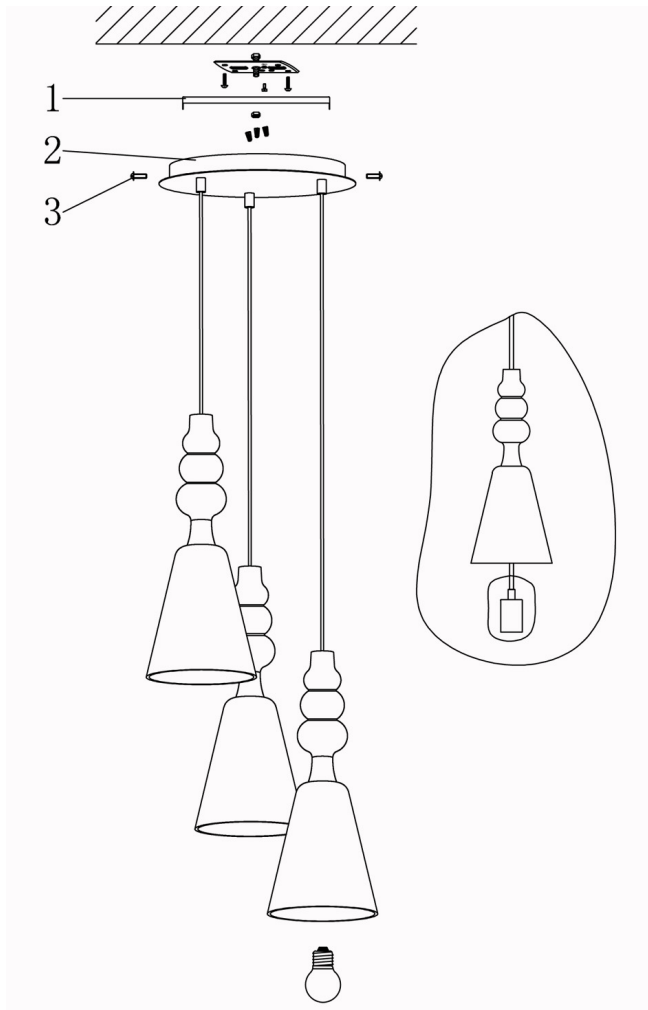


# Assembly Instructions: C160-03-CH (Sil)

## IMPORTANT:

- ALL INSTALLATION WORK SHOULD BE DONE BY ACCREDITED PROFESSIONAL.
- SHUT OFF POWER SUPPLY AT FUSE OR CIRCUIT BREAKER!
- USE ONLY THE SPECIFIED BULBS. DO NOT EXCEED THE MAXIMUM WATTAGE!



## HANGING THE FIXTURE

The mounting strap contains several holes. Find the pair of holes that matches the spacing of the holes on the junction box. Place the mounting strap over the junction box and attach using screws and a screw driver.

Pull the cables through the center hole in the canopy. Measure to determine the proper hanging height. Adjust the cables accordingly.

## CONNECTING THE WIRES

Attach the power supply wires from the junction box to the fixture's connection wires. Connect black to black (or smooth) and white to white (or ribbed). Attach the ground wire (green or copper) from the junction box and the fixture ground wire. If there is no ground wire at the junction box, wrap the fixture ground wire around the green ground screw. Twist the wires together in the same direction you twist the wire connectors onto the wires and tuck the wires into the junction box.

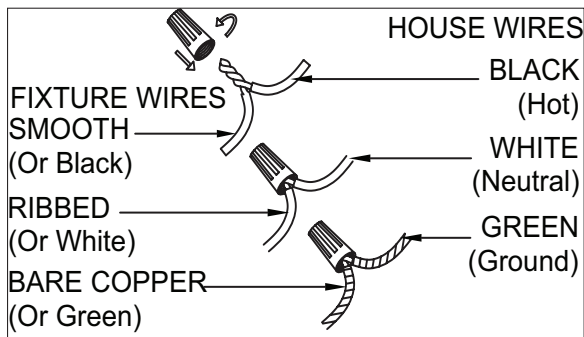
## FINISHING THE INSTALLATION

Attach bracket (1) to the mounting strap. Locate the holes on the sides of bracket (1) and loosely insert screws.

Canopy (2) has key-holes on the sides. Slide the keyholes over screws (3) that protrude from bracket (1). Tighten these screws to secure fixture. Install the bulbs.

**(DO NOT EXCEED THE MAXIMUM WATTAGE RATING!)**

**For Customer Service, contact the place of purchase to arrange for replacement parts.**



## CLEANING ADVICE:

- To avoid scratches, always use dry, smooth cloths to dust the fixture.
- Never use wet or abrasive cleaning products to clean the light fixture.
- For major cleaning, please disconnect the power at the main switch.

