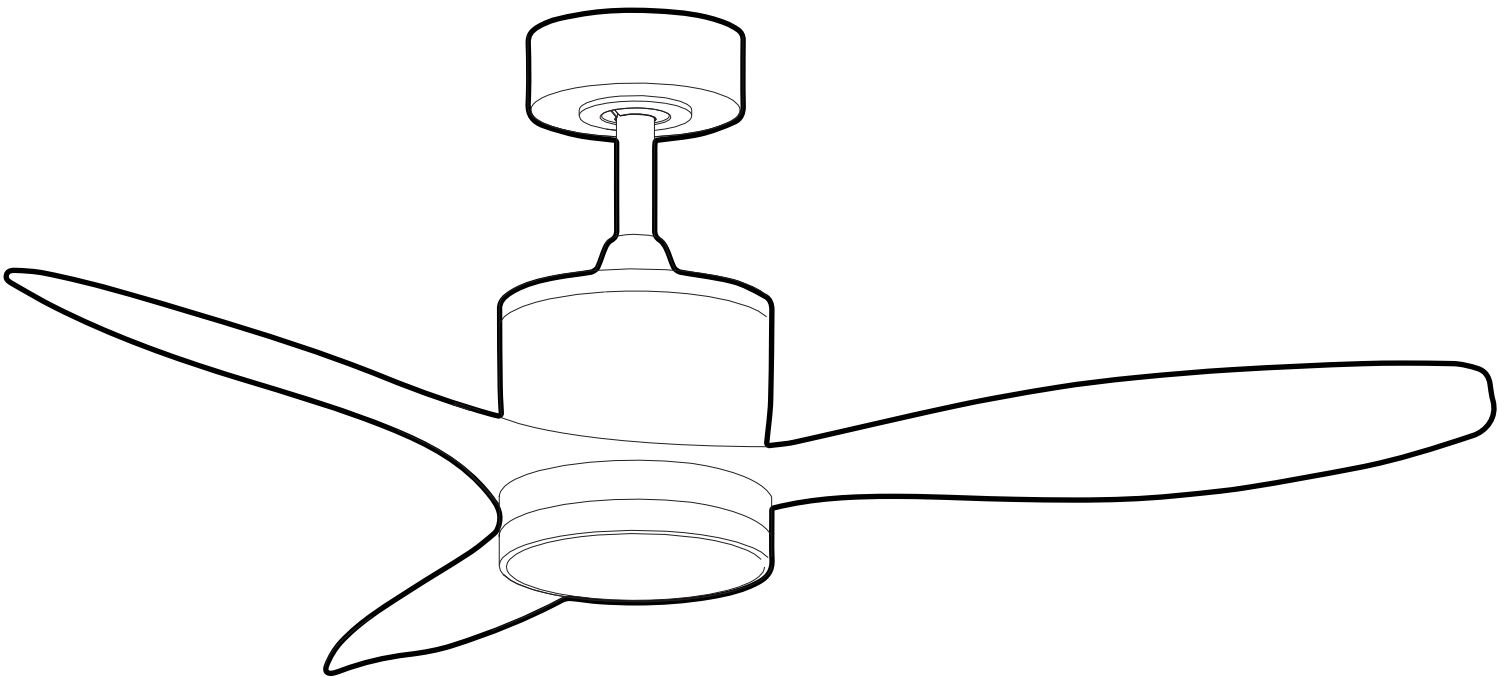




## EDINBURG SMART CEILING FAN

27105



Step-by-step Product  
Instruction Video

Scan with your  
mobile device

Since 1932, Globe has taken pride in offering products of the highest quality, and a level of service unparalleled in the industry. Should you encounter any difficulties, have any questions or simply wish to offer us your valuable feedback, you may contact us in the following ways:

Toll Free Telephone: 1-888-543-1388 (North America Only) / Toll Free Fax: 1-800-668-4562 (North America Only)

E-Mail: [info@globe-electric.com](mailto:info@globe-electric.com) / Mail: Globe Electric Customer Service Department

150 Oneida, Montreal, Quebec, Canada H9R 1A8

Please visit our website to discover other quality Globe products: <http://www.globe-electric.com>

## TABLE OF CONTENTS

|                                  |    |
|----------------------------------|----|
| Table of contents                | 2  |
| Warranty                         | 2  |
| Warning                          | 3  |
| Tools required                   | 4  |
| Features                         | 4  |
| Specifications                   | 4  |
| Hardware included                | 4  |
| Package content                  | 5  |
| Pre-installation                 | 6  |
| Installation                     | 7  |
| Fan and remote control operation | 19 |
| Connecting instructions          | 20 |
| Voice commands                   | 21 |
| Globe Suite app troubleshooting  | 23 |
| Maintenance                      | 23 |
| Troubleshooting                  | 24 |

## WARRANTY

### 3-YEAR LIMITED WARRANTY

#### What is covered

This product is guaranteed to be free of factory defective parts and workmanship for a period of 3 years from date of purchase. Purchase receipt is required for all warranty claims.

#### What is not covered

This guarantee does not include repair service, adjustment and calibration due to misuse, abuse or negligence, or LEDs. Unauthorized service or modification of the product or of any furnished component will void this warranty in its entirety. This warranty does not include reimbursement for inconvenience, installation, setup time, loss of use, unauthorized service, or return shipping charges. This warranty is not extended to other equipment and components that a customer uses in conjunction with this product.

# WARNING

## READ AND SAVE THESE INSTRUCTIONS



Most electrical accidents are caused by carelessness or ignorance. If you combine a basic knowledge of electricity, a healthy respect for it, and a dose of common sense, you can safely tackle many household electrical repairs. Here are some basic guidelines for working with electricity:

Before working on a circuit, go to the main service panel and remove the fuse or trip the breaker that controls that circuit. Tape a sign to the panel warning others to leave the circuit alone while you work.

Before touching any wire, use a voltage tester to make sure it's not live.

Whenever you check for voltage in a receptacle, check both outlets – each may be controlled by a separate wiring circuit.

When replacing fuses, turn off the main power first. Make sure your hands and feet are dry, and place one hand behind your back to prevent electricity from making a complete circuit through your chest. Touch a plug fuse only by its insulated rim. Remove cartridge fuses with a fuse puller.

Use tools with insulated handles and ladders made of wood or fiberglass.

Keep dry-chemical fire extinguishers in the kitchen, basement, and workshop.

Never disable grounding devices. Make sure that all appliances requiring grounding are properly grounded, and that the electrical system itself is properly grounded.

Meet or exceed all electrical code requirements that cover the work you are doing.

Always work with enough light to see what you are doing; it's easy to make mistakes when you're working in dim light.

If in doubt, consult a qualified electrician.

### RF Exposure

The equipment complies with FCC radiation exposure limits set forth for an uncontrolled environment. This device should be installed and operated with a minimum distance 20cm between the radiator and your body.

This device complies with Part 15 of the FCC Rules. Operation is subject to the following two conditions: (1) this device may not cause harmful interference, and (2) this device must accept any interference received, including interference that may cause undesired operation.

Changes or modifications to this unit not expressly approved by the party responsible for compliance could void the user's authority to operate the equipment.

Note: This equipment has been tested and found to comply with the limits for a Class B digital device, pursuant to Part 15 of the FCC Rules. These limits are designed to provide reasonable protection against harmful interference in a residential installation. This equipment generates, uses and can radiate radio frequency energy and, if not installed and used in accordance with the instructions, may cause harmful interference to radio communications. However, there is no guarantee that interference will not occur in a particular installation. If this equipment does cause harmful interference to radio or television reception, which can be determined by turning the equipment off and on, the user is encouraged to try to correct the interference by one or more of the following measures:

- Reorient or relocate the receiving antenna.
- Increase the separation between the equipment and receiver.
- Connect the equipment to an outlet on a circuit different from that to which the receiver is connected.
- Consult the dealer or an experienced radio/TV technician for help.

FCC Responsible Party: Globe Electric

Address: 2264 East 6th Street, San Bernardino, CA 92410 U.S.A.

[www.globe-electric.com](http://www.globe-electric.com)

CAN ICES-005 (B)/NMB-005 (B)

CAN ICES-003 (B)/NMB-003(B)

This device contains licence-exempt transmitter(s)/receiver(s) that comply with Innovation, Science and Economic Development (ISED) Canada's licence-exempt RSS(s). Operation is subject to the following two conditions: (1) this device may not cause interference, and (2) this device must accept any interference, including interference that may cause undesired operation of the device.

The device has been evaluated to meet general RF exposure requirement.

The distance between user and products should be no less than 20 cm.

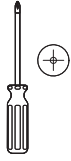
**WARNING:** to reduce the risk of fire or electric shock, do not use this fan with any solid-state speed control device.

**WARNING:** to reduce the risk of personal injury, do not bend the blade brackets when installing the brackets, balancing the blades, or cleaning the fan. Do not insert foreign objects in between rotating fan blades.

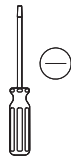
**WARNING:** to reduce the risk of fire, electric shock, or personal injury, mount to outlet box marked "acceptable for fan support of 15.9/22.7/31.8 kg (35/50/70 lbs) or less" and use mounting screws provided with the outlet box.

**CAUTION:** to reduce the risk of electric shock, disconnect the electrical supply circuit to the fan before installing light kit.

## TOOLS REQUIRED



Phillips screwdriver



Flat blade screwdriver



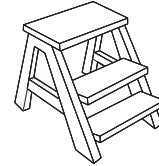
Adjustable wrench



Electrical tape



Wire cutter



Step ladder

Note: Do not to use power tools for the installation to avoid damaging the screws/parts.

## FEATURES

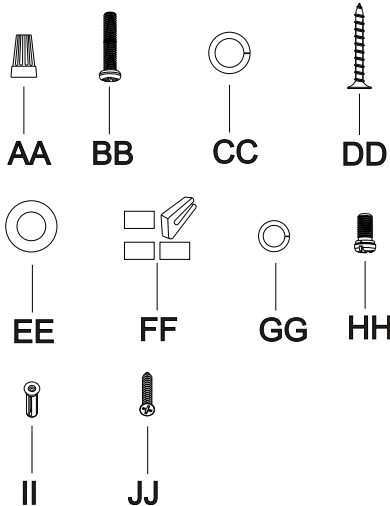
- Remote control
- Smart app
  - App and voice control
  - Pair with virtual assistant
  - RGB | 16+ million colors
  - Tunable white: 2000 k - 5000 k
  - Schedules and timers
- WhisperQuiet™ functionality

## SPECIFICATIONS

- DC motor
  - Energy efficient 25W
  - Reversible motor
  - 6 speed
  - 5000 CFM, 175 RPM
- Integrated LED
  - 800 lumens, 80 CRI
  - 30,000 hours
  - 48" diameter (fully assembled)
  - Net weight of fan: 12.8 lbs / 5.8 kg

| Model | Min. Thickness of edges of blades (in./mm) | Blade length (in./cm) | RPM | Speed at tip of blades (ft/s, m/s) |
|-------|--|-----------------------|-----|------------------------------------|
| 27105 | 0.126"(3.2mm)                              | 24.01"(61cm)          | 175 | 39.64ft/s (11.17m/s)               |

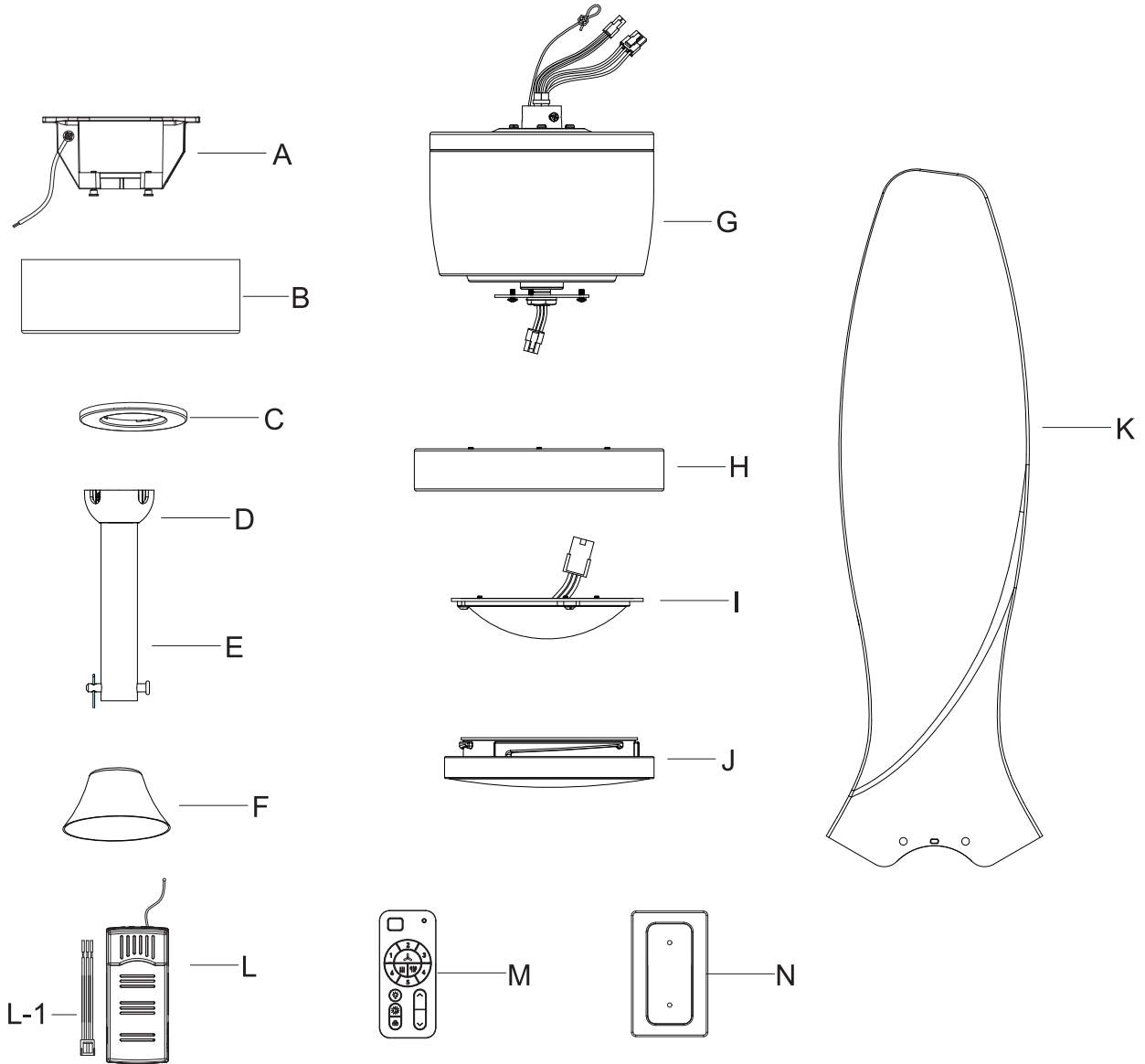
## HARDWARE INCLUDED



| Part | Description  | Quantity |
|------|--|----------|
| AA   | Wire nut (P4)  | 3        |
| BB   | Extra mounting screws for outlet box (M4*25)                 | 2        |
| CC   | Washer 2 - D5  | 3        |
| DD   | Screw 3 (ST4.8*35)   | 1        |
| EE   | Washer 1 - D15   | 5        |
| FF   | Balancing kit  | 1        |
| GG   | Washer 3 - D4 (extra washers for outlet box mounting screws) | 2        |
| HH   | Blade screws and washers                                     | 7        |
| II   | Remote control backplate screw wall anchors                  | 2        |
| JJ   | Remote control backplate screws                              | 2        |

# PACKAGE CONTENT

Note: Remove all contents from box before beginning installation.



| Part | Description                              | Quantity |
|------|--|----------|
| A    | Mounting bracket                         | 1        |
| B    | Canopy                                   | 1        |
| C    | Canopy cover ring                        | 1        |
| D    | Hanger ball (pre-assembled with downrod) | 1        |
| E    | Downrod                                  | 1        |
| F    | Decorative cover                         | 1        |
| G    | Fan motor housing                        | 1        |
| H    | Light plate                              | 1        |

| Part | Description             | Quantity |
|------|-------------------------|----------|
| I    | LED module              | 1        |
| J    | Light cover             | 1        |
| K    | Blade                   | 3        |
| L    | Remote control receiver | 1        |
| M    | Remote control          | 1        |
| N    | Remote control holder   | 1        |

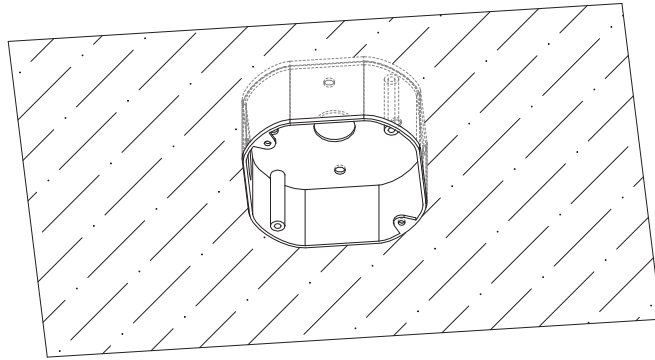
## PRE-INSTALLATION

### Outlet Box:

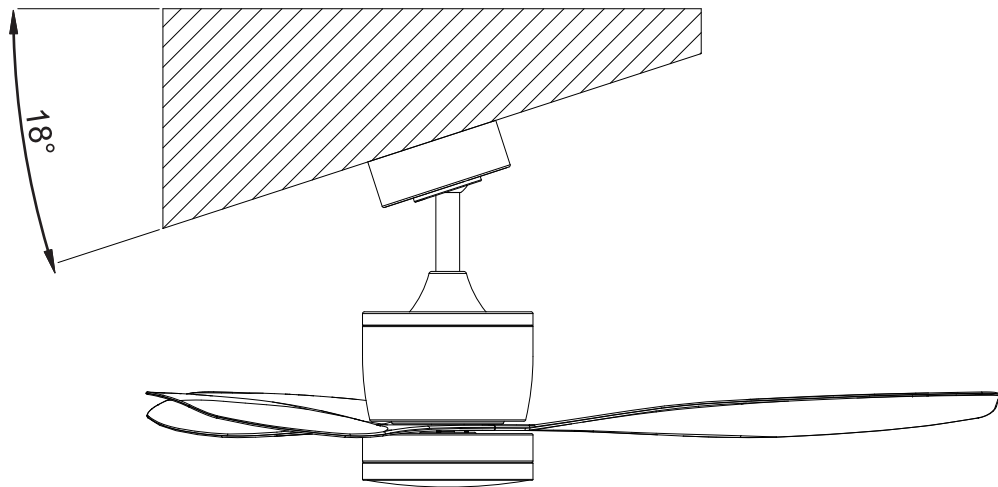
Fan must be able to be secured to a fan-rated outlet box. If none exist, contact a qualified electrician for installation.



**WARNING:** TO REDUCE THE RISK OF FIRE, ELECTRIC SHOCK, OR PERSONAL INJURY, MOUNT TO OUTLET BOX MARKED "ACCEPTABLE FOR FAN SUPPORT OF 15.9/22.7/31.8 KG (35/50/70 LBS) OR LESS" AND USE MOUNTING SCREWS PROVIDED WITH THE OUTLET BOX. CONSULT A QUALIFIED ELECTRICIAN IF IN DOUBT.

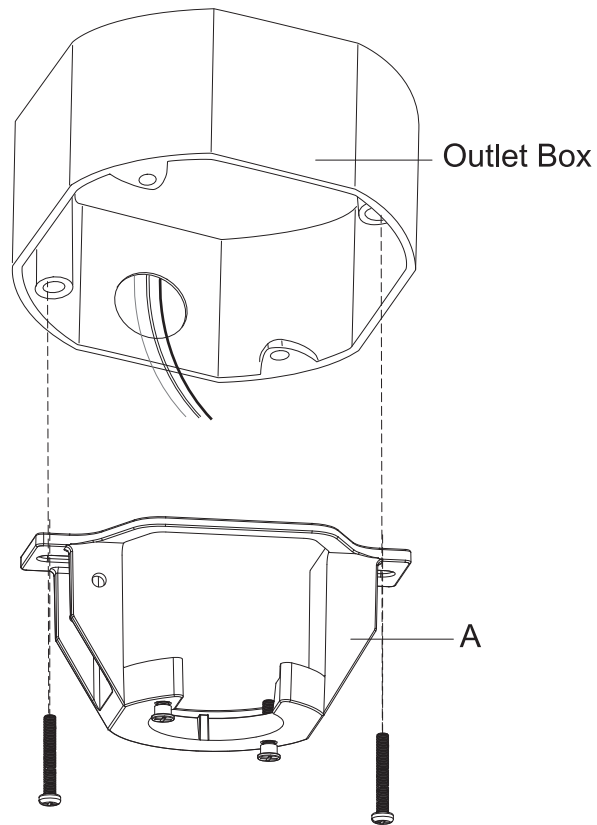


**NOTE:** Fan can be mounted on a sloped ceiling up to a maximum angle of 18 degrees.



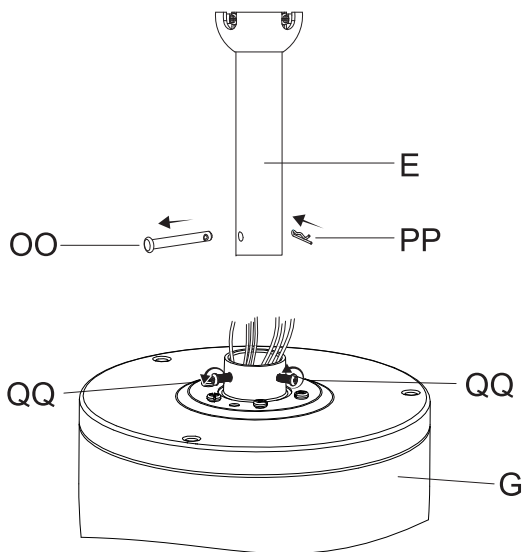
## Attach the mounting bracket to the outlet box

Secure the mounting bracket (A) to the ceiling outlet box with the screws and washers provided with your outlet box.

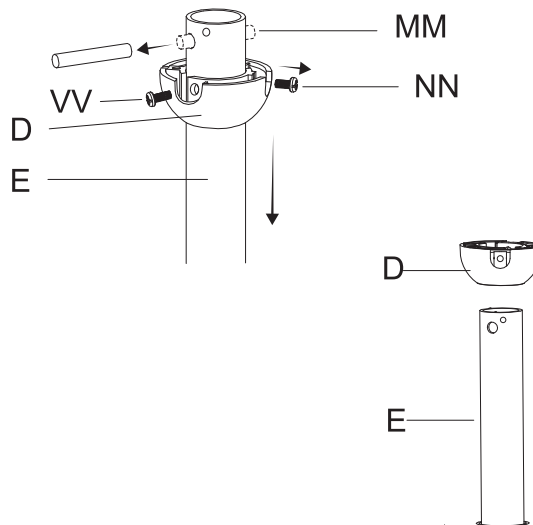


## 2. Attach the downrod to the fan motor housing

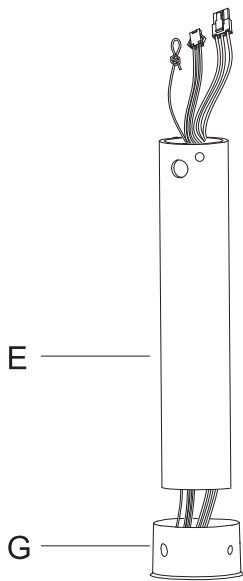
- 2.1 Loosen the two set screws (QQ) on the fan motor housing (G), and remove the locking pin (PP) and hanging pin (OO) from the downrod (E).



- 2.2 Remove the hanger ball (D) from the downrod (E) by removing the hanger ball screws (NN and VV) and the cross pin (MM); then slide the hanger ball (D) off the downrod (E).

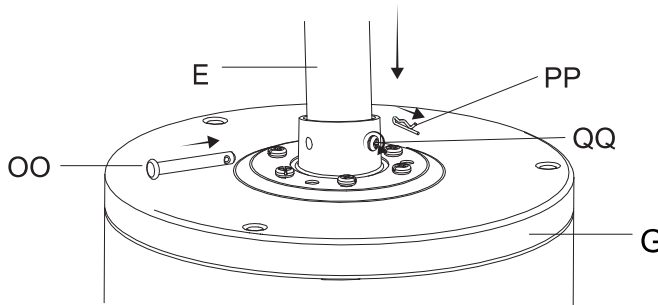


- 2.3 Carefully feed the motor assembly wires up through the downrod (E).



- 2.4 Insert the downrod (E) into the fan motor housing (G). Align the holes and replace the hanging pin (OO) and the locking pin (PP). Tighten the set screws (QQ).

**Note:** If you feel resistance while pushing in the hanging pin, push cable wires aside.



**CAUTION:** TO AVOID DAMAGE AND TO ENSURE A WOBBLE-FREE OPERATION, THE DOWNROD AND MOTOR HOUSING SET SCREWS MUST BE FULLY TIGHTENED UNTIL YOU FEEL RESISTANCE.

**WARNING:** FAILURE TO PROPERLY INSTALL THE MOTOR HOUSING LOCKING PIN COULD RESULT IN THE FAN BECOMING LOOSE AND POSSIBLY FALLING.

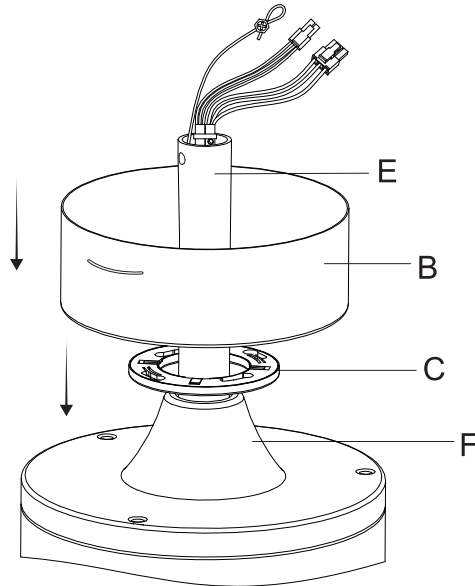


## 3. Attach the canopies to the downrod

- 3.1 Slide the decorative cover (F) onto the downrod.

Then slide the canopy ring (C) and the canopy (B), both facing upwards, onto the downrod.

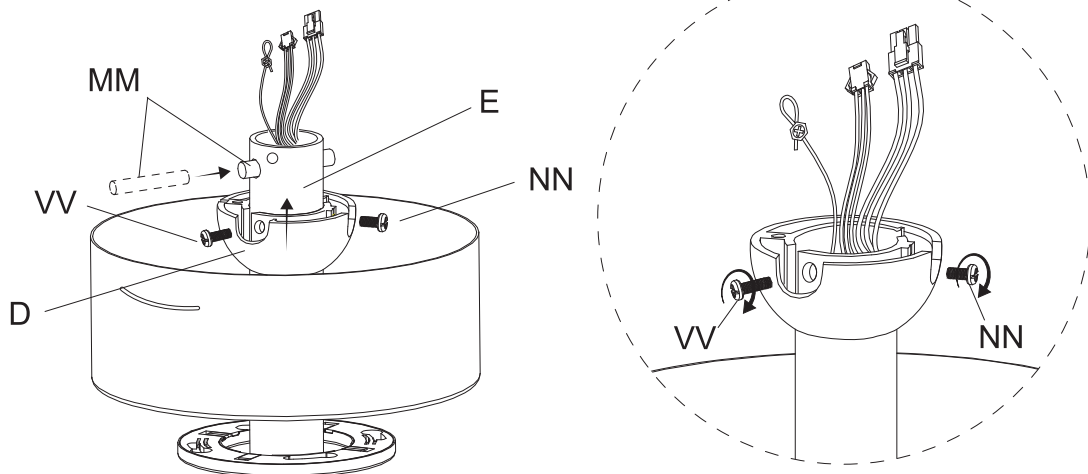
Note: The two small openings in the canopy (B) are to assist with Wi-Fi reception.



- 3.2 To reinstall the hanger ball (D), slide onto the downrod (E) and reinsert the cross pin (MM) into the large hole. Slide the hanger ball (D) up so that the cross pin (MM) is secured in the groove, ensuring the screw holes are aligned correctly (larger screw (VV) should align with the hole in the downrod (E)) and screw in both screws (NN) and (VV).

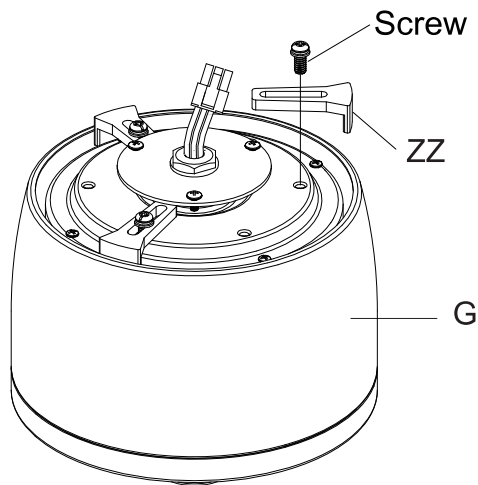
Note: Ensure wires are not twisted.

**⚠ CAUTION: A LOOSE SCREW COULD RESULT IN WOBBLING OF THE FAN.**



## 4. Attach the blades

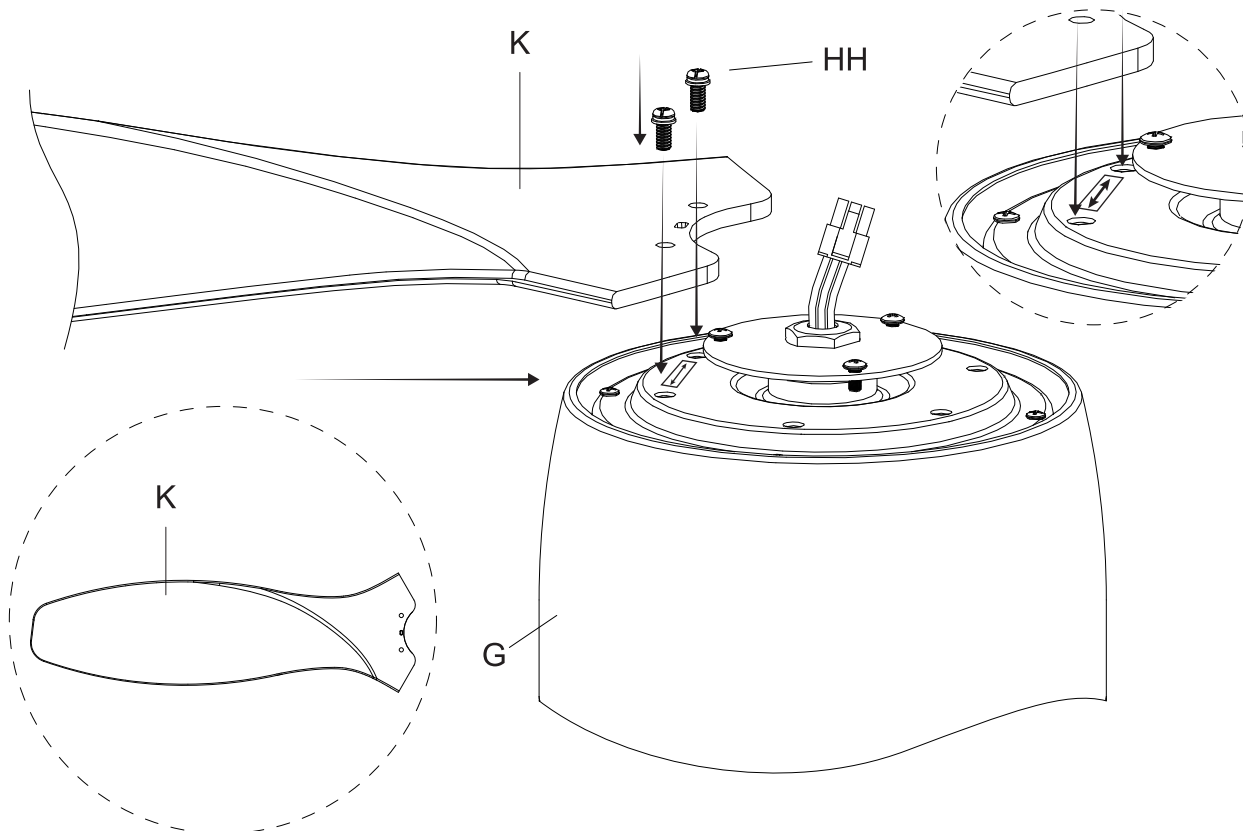
- 4.1 Unscrew and completely remove plastic protectors (ZZ) from motor housing (G) and discard.



- 4.2 Line up blade (K) to motor housing (G) between the 2 arrows, as shown, and attach using fan blade screws from bag "HH". Repeat for each of the 3 blades.

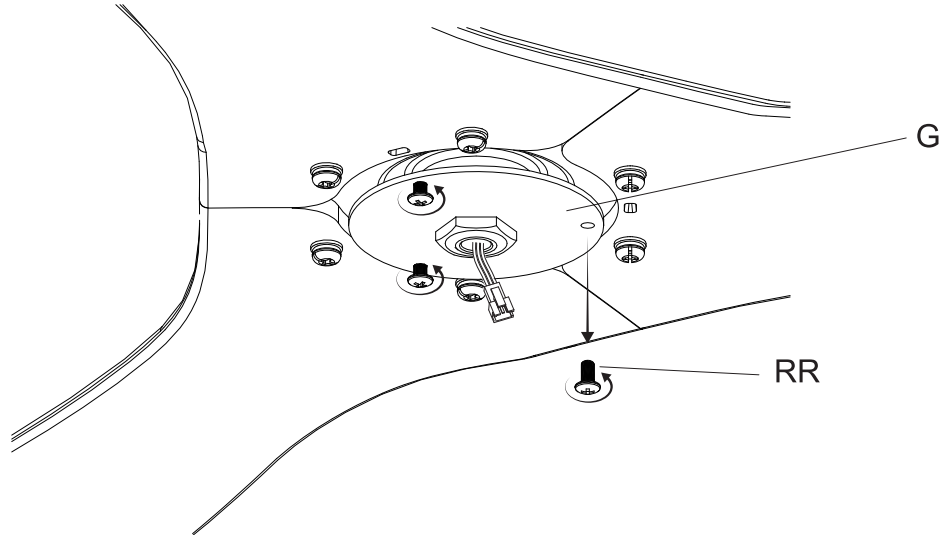
To simplify installation, it is suggested to turn the motor housing upside down when installing the blades. To avoid potential damage, use the box insert to stabilize the fan.

**⚠ CAUTION: A LOOSE SCREW COULD RESULT IN WOBBLING OF THE FAN.**

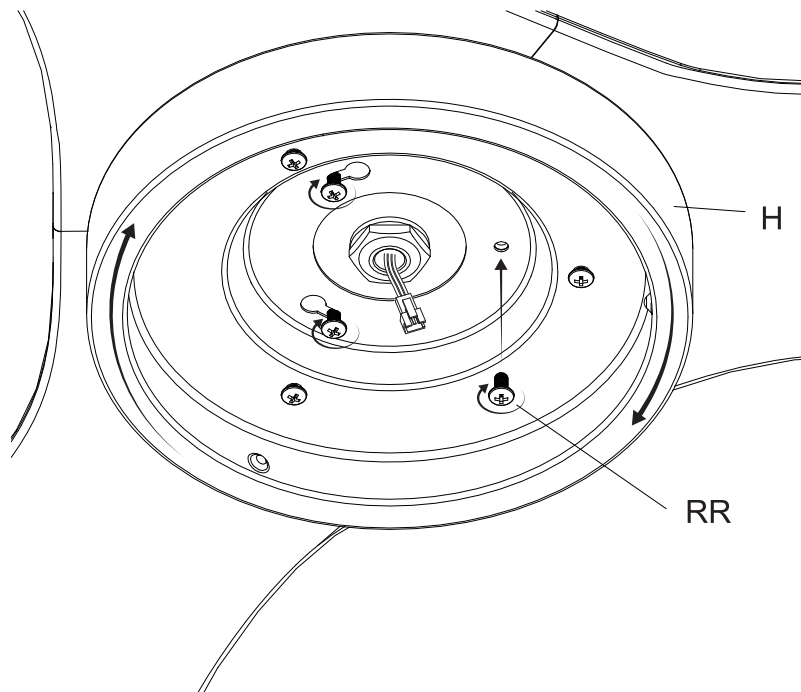


## 5. Attach the light plate

- 5.1 Loosen (any) 2 of the 3 pre-installed screws (RR) and completely remove the third screw from the fan motor housing (G).

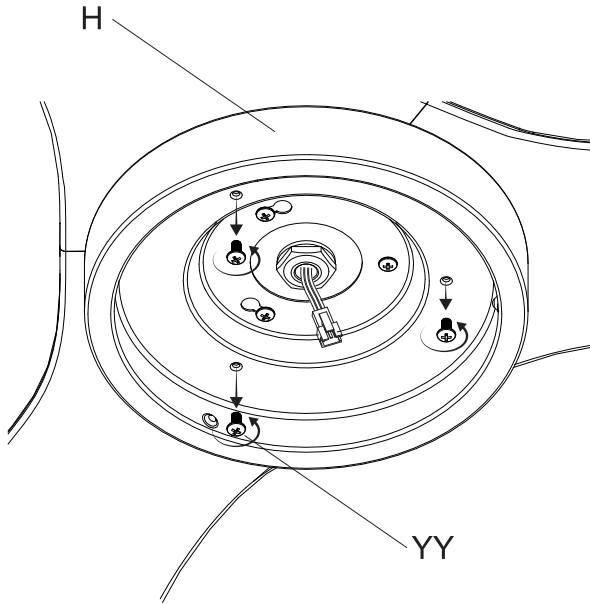


- 5.2 Attach the light plate (H) by lining up the 2 keyholes with the 2 screws (RR) then twist until tight. Reinsert the third screw (RR) and tighten all 3 screws.

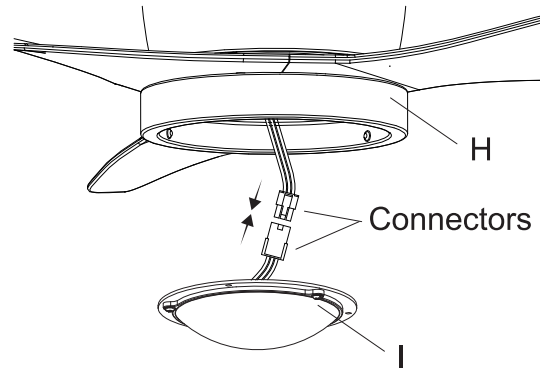


## 6. Attach the LED light module

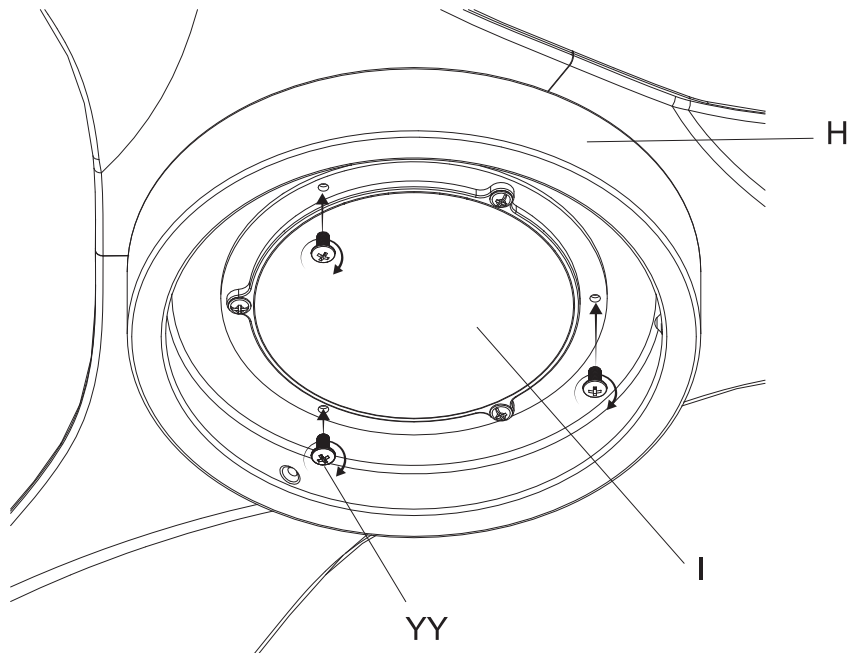
- 6.1 Remove the 3 pre-installed screws (YY) from the light plate (H).



- 6.2 Connect the wires from the LED light module (I) to the wires from the light plate (H).



- 6.3 Align screw holes from LED module (I) to the light plate (H) and screw in all 3 screws (YY) ensuring they are tight.

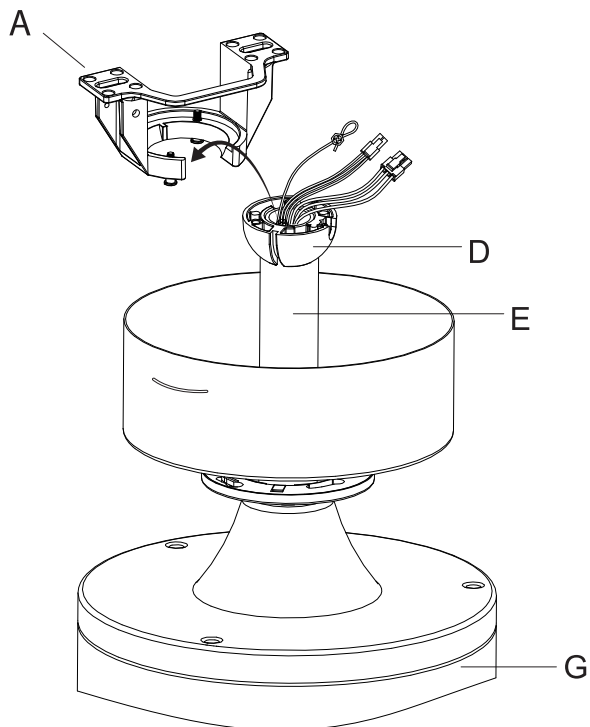


## 7. Hang the fan in the bracket

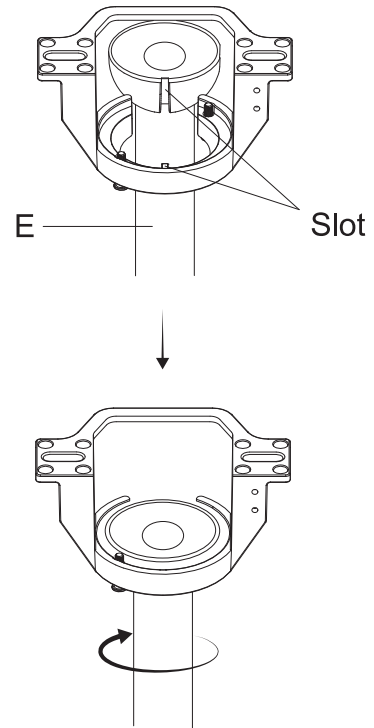
- 7.1 Lift the assembled fan motor housing into the bracket by placing the hanger ball (D) into the mounting bracket (A) opening.



**CAUTION:** TO PREVENT DAMAGE TO THE FAN, ALWAYS LIFT UP THE FAN BY THE DOWNROD OR MOTOR HOUSING.

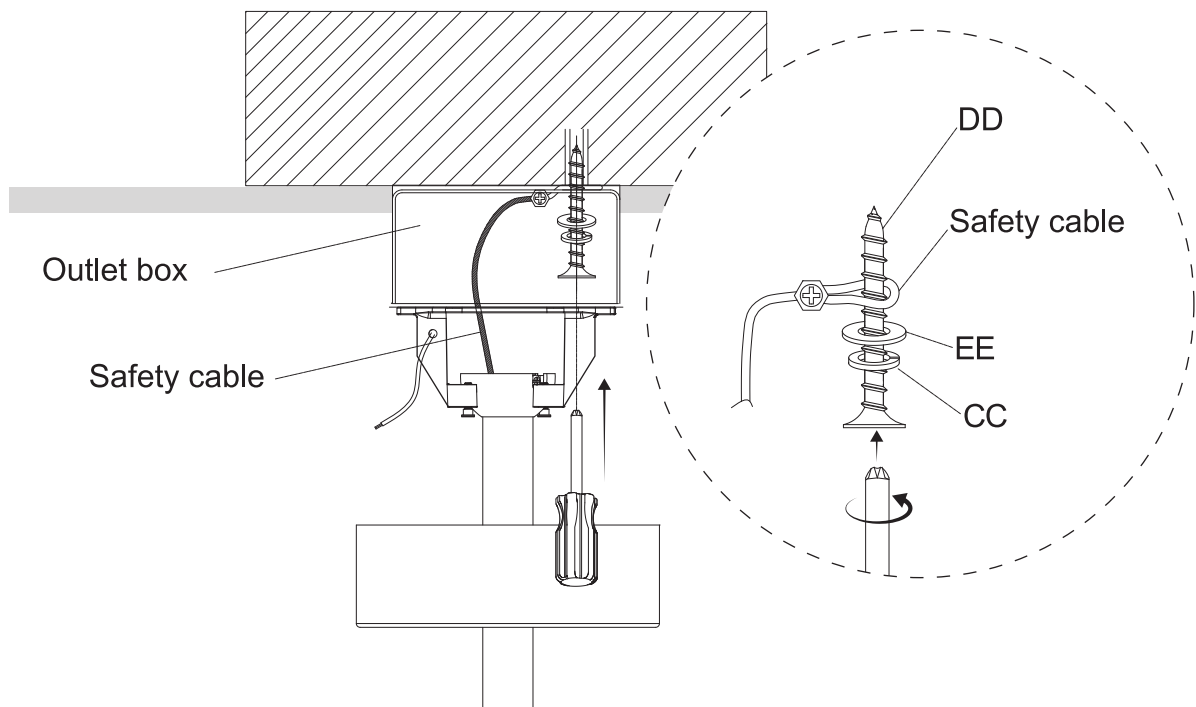


- 7.2 Rotate the fan motor clockwise until the groove on the hanger ball drops into the slot on the bracket and sits firmly. The downrod (E) should not rotate if this is done correctly.



## 8. Attach the safety cable to the outlet box

Place washer (CC), washer (EE) and safety cable onto screw (DD) from bag "BB" as shown in the insert image and attach screw into the ceiling joist.



## 9. Wire the fan

- 9.1 Remove receiver (L) and wires (L-1) from plastic bag and set receiver aside.

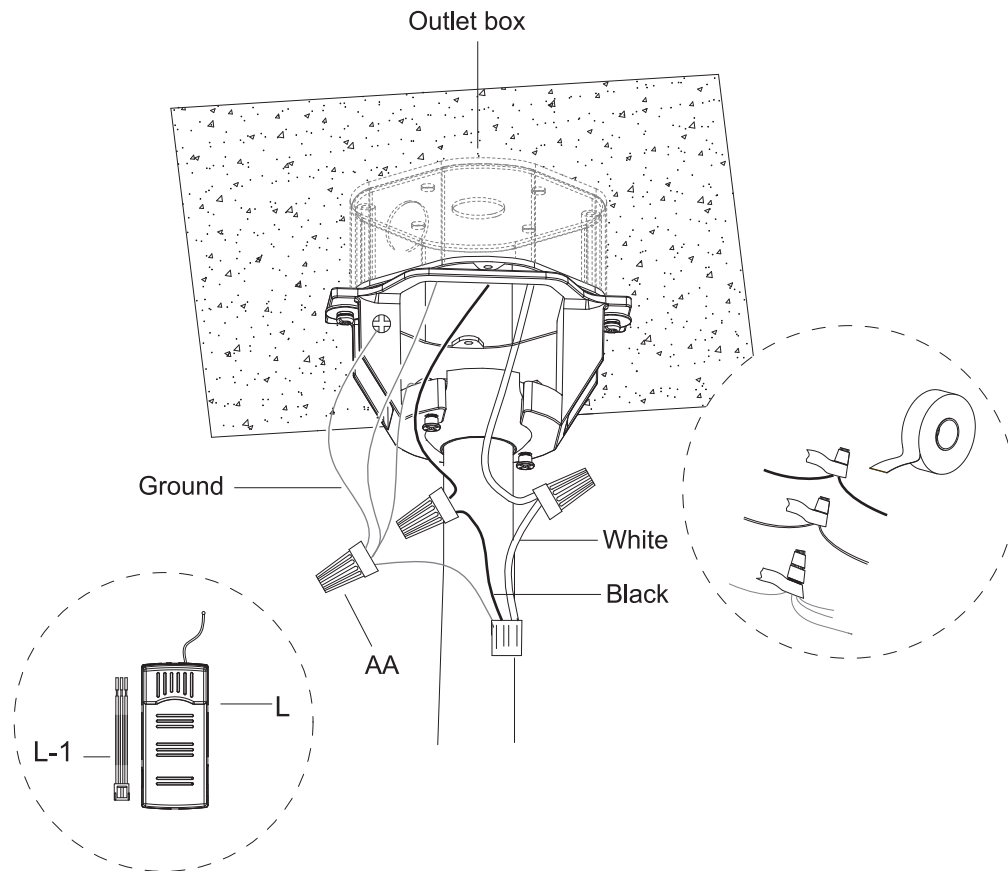
Use the wires (L-1) to attach to ceiling wires as follows:

Connect the hot (black) wire from the ceiling to the black wire from the wires (L-1) using the wire nut (AA).

Connect the neutral (white) wire from the ceiling to the white wire from the wires (L-1) using the wire nut (AA).

Connect all ceiling fan ground wires to ceiling ground wire as shown below. If your ceiling does not have a ground wire, consult a qualified electrician.

**Note:** Secure all wires with a plastic wire nut (AA) provided and wrap the wire nut connections with electrical tape.



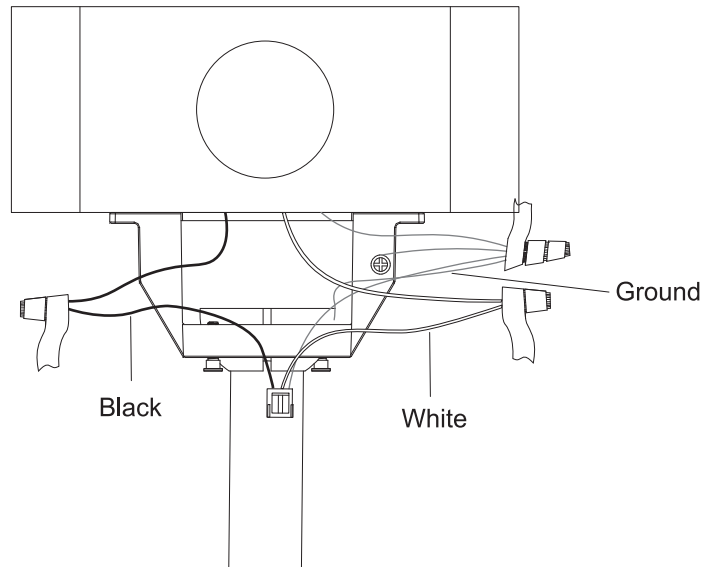
**WARNING:** ALL WIRING MUST BE IN ACCORDANCE WITH THE NATIONAL ELECTRICAL CODE, ANSI/NFPA 70. IF WIRES AT THE INSTALLATION SITE ARE ANY OTHER COLOR THAN WHAT IS LISTED HERE, HAVE THIS FAN INSTALLED BY A QUALIFIED ELECTRICIAN. **WARNING:** THE CEILING FAN MUST BE GROUNDED. IF THERE IS NO GROUND WIRE PRESENT ON THE INSTALLATION SITE (EXAMPLE, FROM THE CEILING), STOP THE INSTALLATION IMMEDIATELY AND CONSULT A QUALIFIED ELECTRICIAN.



**CAUTION:** TO REDUCE THE RISK OF ELECTRIC SHOCK, DISCONNECT THE ELECTRICAL SUPPLY CIRCUIT TO THE FAN BEFORE WIRING. IF YOU DO NOT FEEL YOUR ELECTRICAL WIRING KNOWLEDGE OR EXPERIENCE IS SUFFICIENT, CONTACT A QUALIFIED ELECTRICIAN. **CAUTION:** DO NOT INSTALL IN A DAMP OR WET LOCATION, THIS FAN IS FOR INDOOR USE ONLY.

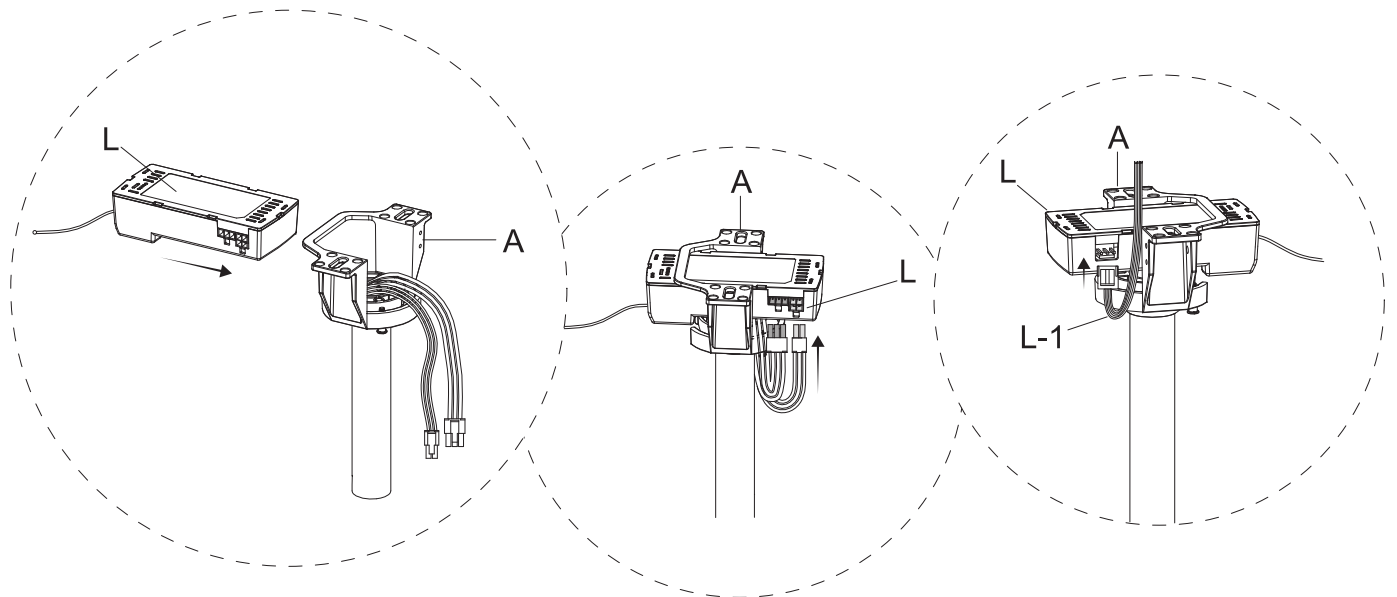
## INSTALLATION

- 9.2 After connecting the wires, spread them apart so that the ground / white wires are on one side of the outlet box and the black wires are on the other side. Carefully tuck the wire connections up into the outlet box.



- 9.3 Insert the receiver (L) as shown into the mounting bracket (A) with flat side of the receiver (L) facing the ceiling.

After the receiver (L) is placed in bracket (A), plug the four-pin and three-pin connectors; then plug in the wires (L-1) to the receiver.

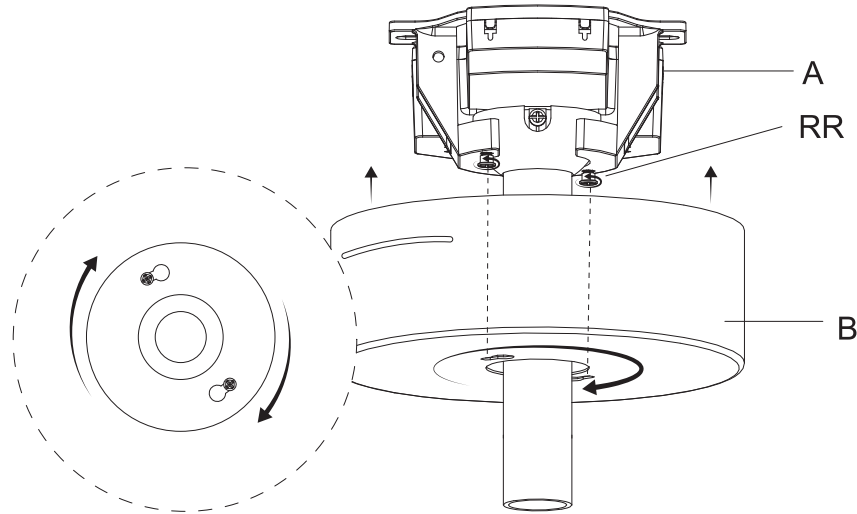




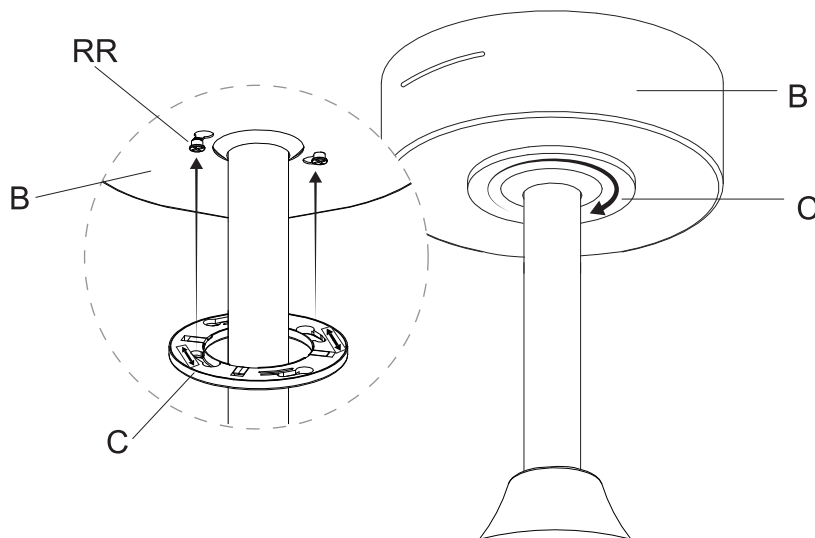
## 10. Attach the canopies

- 10.1 Loosen the two mounting bracket screws (RR) on the mounting bracket (A) and attach the canopy (B) to the mounting bracket (A) by aligning screws to keyholes and twisting; then tighten the mounting bracket screws (RR).

Note: Ensure the yellow antenna from the receiver is tucked into the canopy.

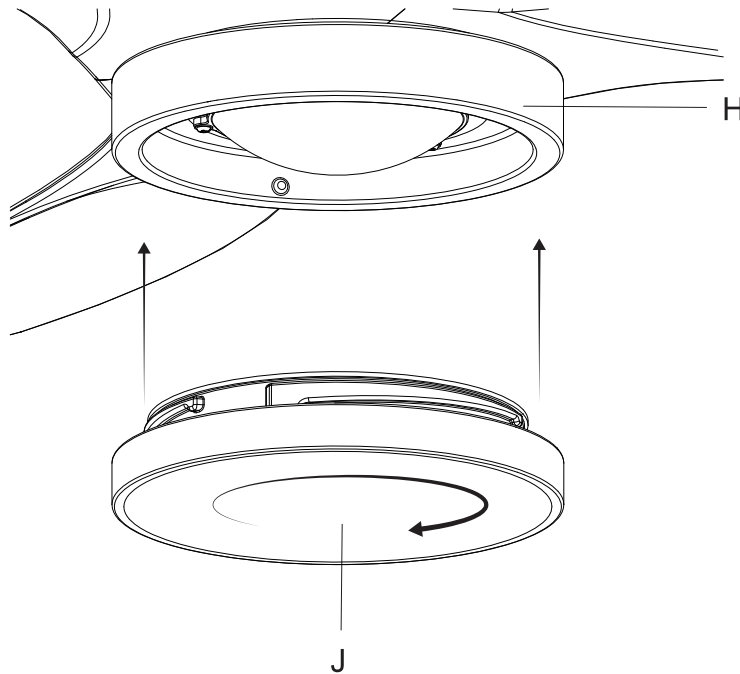


- 10.2 Align the canopy ring (C) with canopy (B) and push up the canopy ring (C) until the mounting bracket screws (RR) heads engage in the slots with arrows; then rotate the canopy ring (C) clockwise until tight.

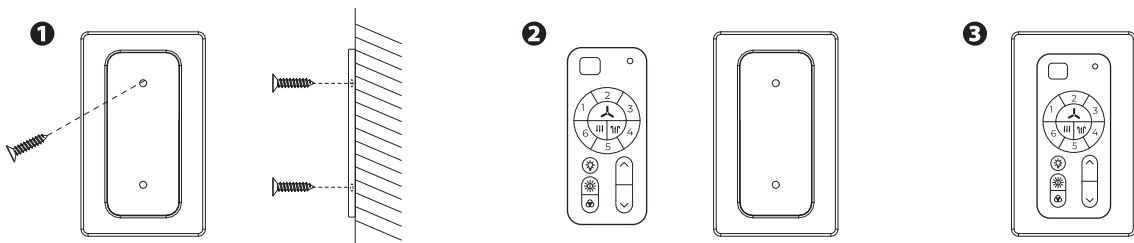
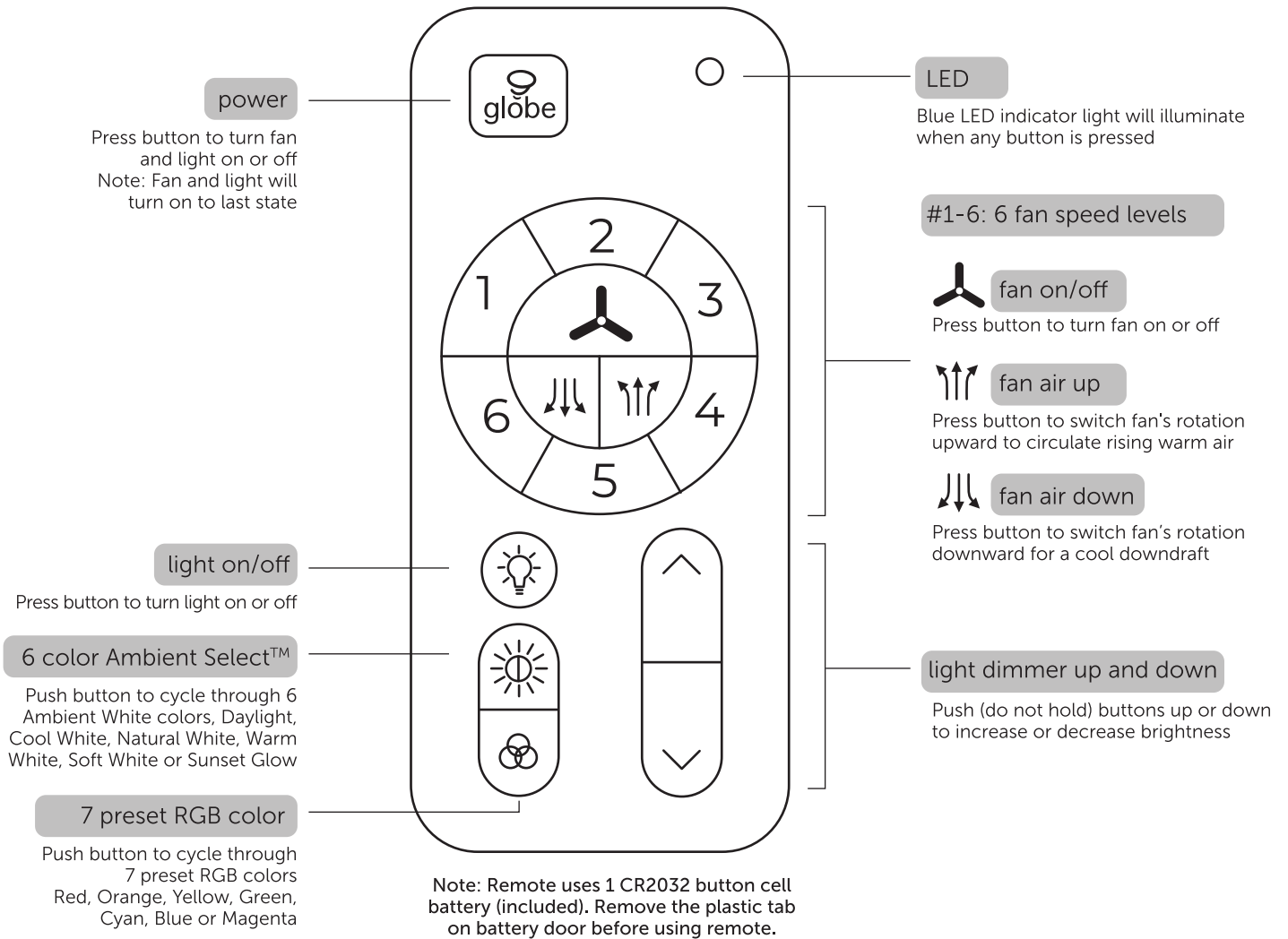


## 11. Attach the light cover

Attach the glass light cover (J) to the light plate (H) by twisting clockwise until tight.



# FAN AND REMOTE CONTROL OPERATION



**Use accessories found in bag to mount the magnetic plate to preferred location.**

# CONNECTING INSTRUCTIONS

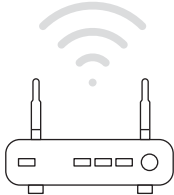


## 1

### Download the Globe Suite™ app

Make sure your mobile device is running **iOS 9.0/watchOS 2.0/Android™ 4.4 or higher.**

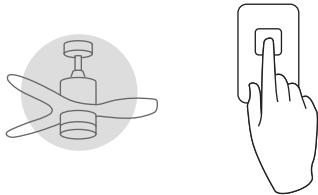
- Download the **Globe Suite™** app from the iOS or Android store.
- Use your email to create an account and log in.



## 2

### Verify your network

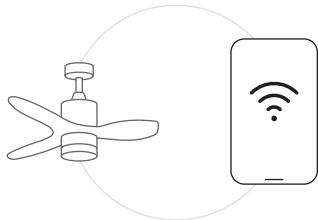
- Verify your network and ensure your mobile device is connected to a 2.4GHz Wi-Fi channel.
- Consult your router documentation for detailed instructions on how to change the wireless setting.
- Once your devices have been successfully paired, you can switch back to mixed mode or use a cellular data network to control your smart products.



## 3

### Set your smart ceiling fan in pairing mode

- Ensure the smart ceiling fan is powered on.
- The light on the smart ceiling fan should be **blinking rapidly**.
- If it's not blinking rapidly, please turn the wall switch On/Off 5 times quickly within 1 minute and it should start blinking rapidly. If not, please repeat the process.

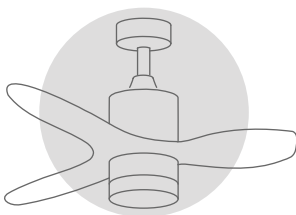


## 4

### Connect to the Globe Suite™ app

On your mobile device, please ensure all requested permissions are enabled: **Wi-Fi, Bluetooth, Location Services.**

- Select the "+" icon in the top right of the Globe Suite™ app home screen.
- If the light is flashing rapidly, the "Scan" mode will detect your smart ceiling fan within a few seconds. When discovered, select "Add" beside the smart fan icon.
- Enter your Wi-Fi credentials correctly and follow the instructions within the app.  
If the connection fails, try select 'Manual', try selecting your product type and follow the instructions within the App.



## 5

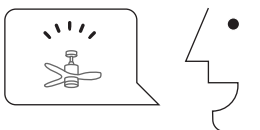
### Your smart ceiling fan is ready!

- Name your device and choose which room to place it in.

You can now control your smart ceiling fan directly from the Globe Suite™ app.

Still need help? Select the "pairing mode" link on the "Add Device" page or "View help" link if no device is found and follow the in-app instructions or view the video.

Or check out the QR code on the 1st page of this instruction manual and look for the short instructional video.



## 6

### Set up voice assistance

- On the home screen, select "Profile," and select "Integration." Choose your voice assistant and follow the instructions within the app.
- Create Siri shortcuts (for iOS).

- On the home screen, select "Smart Scenes," then select the "+" icon to add a Trigger Scene.

- Once completed, select "Add to Siri" and add the phrase to Siri shortcuts.

\*Please note that the exact phrase must be said to execute the Trigger Scene with Siri\*

## VOICE COMMANDS



| When you want to...                  | Alexa...   |
|--------------------------------------|--|
| <b>Turn on/off the fan only.</b>     | ... turn on/off <device name>.   |
| <b>Turn on/off the light only.</b>   | ... turn on/off the light on <device name>.  |
| <b>Change the brightness.</b>        | ... set <device name> light to 50%.<br>... set <device name> brightness to 20%.<br>... brighten <device name>.<br>... dim <device name>.   |
| <b>Change the color temperature.</b> | ... make <device name> warmer.<br>... set <device name> light cooler.<br>... set <device name> softer.<br>... make <device name> whiter.<br>... make <device name> light warm white.<br>... set <device name> to daylight.   |
| <b>Change the color.</b>             | ... set <device name> light to blue.<br>... change <device name> to the color blue.  |
| <b>Change the fan speed.</b>         | ... set the <device name> speed to <value 1-6>.<br>... set the speed on the <device name> to maximum/minimum.<br>... turn up/increase the <device name> speed.<br>... turn down/decrease the speed on the <device name> by <value 1-5>.<br>... what's the <device name> speed? |
| <b>Change the fan direction.</b>     | ... what's the direction on the <device name>?<br>... set the <device name> direction to cooling/warming/summer mode/winter mode.<br>... set the direction on the <device name> to clockwise/counterclockwise.   |



| When you want to...                  | Hey Google...   |
|--------------------------------------|---|
| <i>Turn on/off the fan only.</i>     | ... turn on/off <device name>.  |
| <i>Turn on/off the light only.</i>   | ... turn on/off the light on <device name>.   |
| <i>Change the brightness.</i>        | ... what is the brightness level of <device name>?<br>... adjust <device name> to 50%.<br>... set <device name> brightness to 20%.<br>... brighten <device name>.<br>... dim <device name>.         |
| <i>Change the color temperature.</i> | ... set <device name> light to cool white.<br>... make <device name> light warm white.<br>... set <device name> to daylight/warm.   |
| <i>Change the color.</i>             | ... set <device name> light to blue.<br>... change <device name> to the color blue.   |
| <i>Change the fan speed.</i>         | ... set the <device name> speed to <value 1-6>.<br>... turn up/increase <device name> speed.<br>... turn down/decrease <device name> speed<br>... what's the <device name> speed?                   |
| <i>Change the fan direction.</i>     | ... what's the direction on the <device name>?<br>... set the <device name> direction to cooling/warming/summer mode/winter mode.<br>... set the direction on the <device name> to forward/reverse. |

## GLOBE SUITE APP TROUBLESHOOTING

| <b>Problem</b>  | <b>Solution</b>  |
|---|--|
| <i>My Globe device is not connecting to Wi-Fi.</i>                                | Make sure your device is connected to a power source. Your internet connection or Wi-Fi network may be down.   |
| <i>My device cannot find any Wi-Fi networks.</i>                                  | Make sure you have a 2.4GHz capable Wi-Fi network within range of the device you are trying to add.  |
| <i>My device is in a location that does not have a Wi-Fi. Can I still use it?</i> | Yes, the fan will work with the included remote, however, to access the Smart capabilities, we recommend you buy a stronger router, Wi-Fi extender or a Wi-Fi mesh system. |
| <i>How do I reset the device?</i>   | You can factory reset your device through the Globe suite app: Device options-DELETE - Restore Factory Settings  |
| <i>My device is offline for long periods of time.</i>                             | Make sure your Wi-Fi signal strength is sufficient. You may need to move your router, use mesh Wi-Fi, or Wi-Fi extenders.  |

## MAINTENANCE

- The fan's natural movements may cause some connections to come loose. A clicking or rattling noise is a certain sign of loosening screws. Check the support connections, brackets and blade attachment twice a year, and tighten all screws as necessary.
- Make sure to disconnect the fan from the power supply before servicing or cleaning.
- Clean your fan periodically. Use only a damp cloth, never use solvents, and dust with a soft cloth or brush.
- You will never need to oil your fan; its permanently sealed bearing will prevent noise.
- Do not operate when product is damaged. Discard fan or return to an authorized service facility for inspection and/or repair.
- Total light fixture wattage is 18 watts; do not attempt to replace LED.

## TROUBLESHOOTING

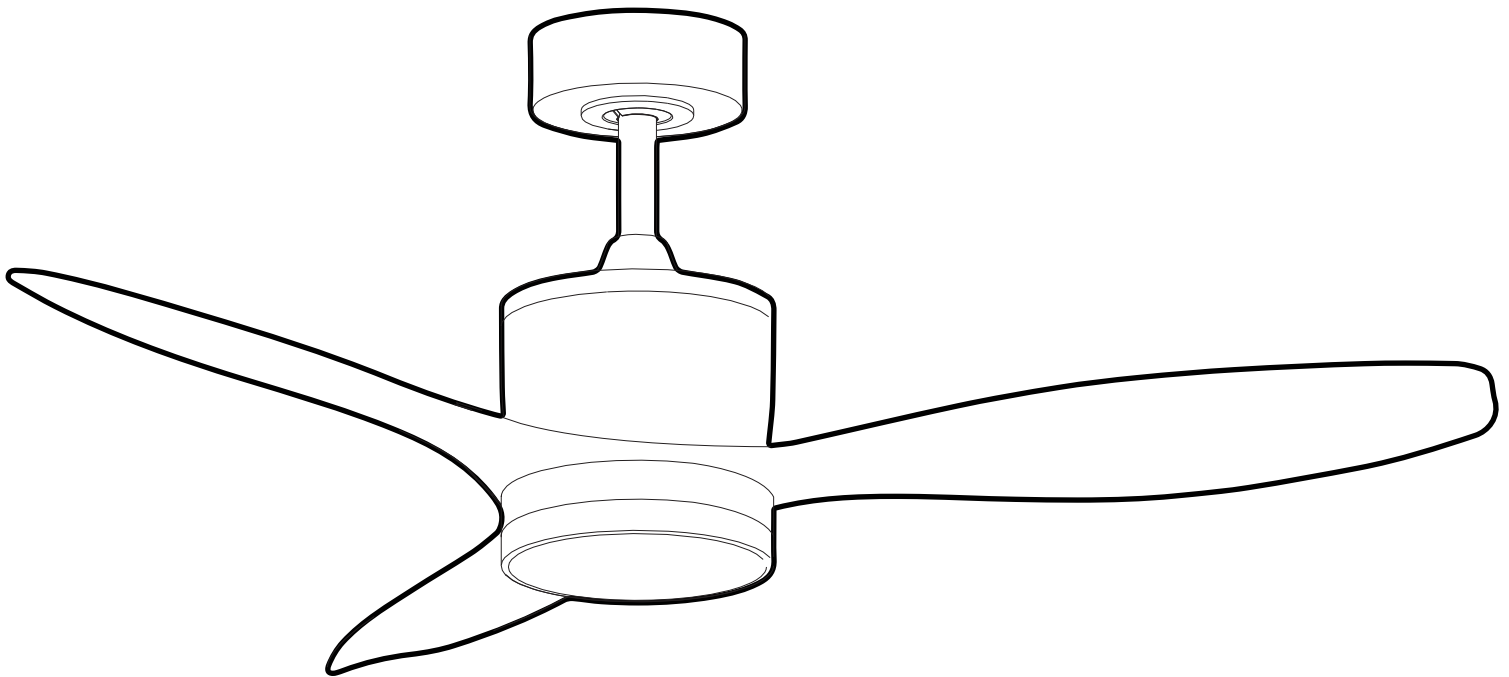
| <b>Problem</b>  | <b>Solution</b>   |
|---|---|
| <b><i>Fan/Lights do not start</i></b>                             | <p>Ensure wall switch is turned on.</p> <p>Check all fuses/circuit breakers.</p> <p>Turn off electrical power and ensure the wiring is correct and connectors secured, as shown in step 6.2 of assembly.</p> <p>Confirm that the remote is working; LED indicator light should illuminate when any button is pressed.</p> <p>If fan/ light still will not start, contact a qualified electrician. Do not attempt to troubleshoot internal electrical connections yourself.</p>  |
| <b><i>Fan is noisy</i></b>  | <p>Allow a 24-hour “break in” period. Any level of noise louder than ambient levels should disappear during that time.</p> <p>Check the electrical outlet box and ensure it is securely fastened.</p> <p>Check all screws/wire connections on the fan to ensure they are securely fastened, as shown in step 9 of assembly.</p> <p>Ensure light cover is properly installed and secured tightly, as shown in step 11 of assembly.</p> <p>Use of an unapproved light dimmer or wall control can cause the fan and light to act irregularly and produce excess noise. Check to ensure that if installed, the wall control is approved for ceiling fan use; however, it is not suggested to use a dimmer switch with the fan.</p>  |
| <b><i>The fan moves backwards and forwards when turned on</i></b> | <p>This is a normal start-up procedure for DC motor fans. The partial movement during start-up is the result of the DC motor aligning the internal magnetic poles for proper motor operation. This design saves electricity and allows the fan to operate much more quietly than standard AC motor fans.</p>  |
| <b><i>Fan does not move much air</i></b>                          | <p>Check the direction of the fan blades when running. If needed, change the direction of the fan blades to ensure the ceiling fan is moving air in the desired direction.</p> <p>Ensure no household items are obstructing the airflow of the ceiling fan.</p> <p>Check to ensure the ceiling fan is appropriate for the size of the room in which it is installed.</p>  |
| <b><i>Fan shakes or wobbles</i></b>                               | <p>A small amount of wobble is typical and acceptable and is not indicative of a defect. Run fan for at least 10 minutes before verifying level of wobble.</p> <p>Ensure the electrical outlet box and hanging bracket are securely fastened, as shown in step 1 of assembly.</p> <p>Ensure the fan blades are installed properly and all screws are securely fastened and completely tightened, as shown in step 4 of assembly.</p> <p>Ensure the groove in the hanger ball is properly sitting in the bracket slot; if not, turn hanger ball clockwise until ball drops into the slot, as shown in step 7.2 of assembly.</p> <p>Switching two adjacent (side by side) blades may redistribute the weight and may result in less wobbling. Refer to step 4 of assembly.</p> <p>Install the included balancing kit. If undesired movement persists, simply change the location of the balancing kit until the excess movement ceases.</p> |
| <b><i>Remote control not working</i></b>                          | <p>Ensure batteries are installed correctly in remote.</p> <p>Ensure the remote/receiver are paired. If the batteries are new and the LED indicator light is working, but the fan and/or light are still not working, the remote may have become un-paired. To pair the remote and fan, press the main on/off red button 3 times.</p> <p>Ensure the wires from the receiver are correctly connected to the house wiring and ceiling fan wires, as shown in step 9.3 of assembly.</p>  |





## VENTILATEUR DE PLAFOND INTELLIGENT EDINBURG

27105



Vidéo d'instruction du  
produit étape par étape

Balayez le code avec votre  
appareil mobile

Depuis 1932, Globe est fier d'offrir des produits d'éclairage de la plus haute qualité et un niveau de service inégalable dans son secteur. En cas de difficultés ou de questions, ou si vous désirez simplement nous faire part de vos commentaires, vous pouvez communiquer avec nous aux coordonnées suivantes :

Téléphone sans frais d'interurbain : 1-888-543-1388 (Amérique du Nord seulement) / Télécopie sans frais d'interurbain : 1-800-668-4562 (Amérique du Nord seulement)

Courriel : [info@globe-electric.com](mailto:info@globe-electric.com) / Courrier : Globe Electric, Service du soutien de la clientèle  
150 Oneida, Montréal, Québec, Canada H9R 1A8

Visitez aussi notre site Web pour découvrir d'autres produits Globe de qualité, à l'adresse: <http://www.globe-electric.com>.

## TABLE DES MATIÈRES

|   |    |
|---|----|
| Table des matières                                  | 2  |
| Garantie  | 2  |
| Avertissement                                       | 3  |
| Outils requis                                       | 4  |
| Caractéristiques                                    | 4  |
| Spécifications                                      | 4  |
| Matériel d'installation inclus                      | 4  |
| Contenu de l'emballage                              | 5  |
| Pré-installation                                    | 6  |
| Installation  | 7  |
| Fonctionnement du ventilateur et de la télécommande | 19 |
| Instructions de connexion                           | 20 |
| Commandes vocales                                   | 21 |
| Dépannage de l'application Globe Suite              | 23 |
| Entretien   | 23 |
| Dépannage   | 24 |

## GARANTIE

### **GARANTIE LIMITÉE DE 3 ANS**

#### Ce qui est couvert

Le présent produit est garanti contre tout défaut de fabrication, pièces et main-d'oeuvre, pour une période de 3 ans à compter de la date d'achat. Le reçu d'achat est nécessaire pour toute réclamation en vertu de la garantie.

#### Ce qui n'est pas couvert

La présente garantie ne comprend pas le service de réparation, d'ajustement ou de calibrage rendu nécessaire suite à une mauvaise utilisation, un abus ou une négligence, ni le remplacement des DEL. Un service non autorisé ou une altération du produit ou de ses composantes rendront nulle l'entièreté de la présente garantie. La présente garantie ne comprend pas le remboursement pour tout contretemps, installation, temps de configuration, perte d'utilisation, service non autorisé ou frais d'expédition pour le retour. La présente garantie ne s'étend pas à tout autre équipement ou toute autre composante que le client utilise avec le présent produit.

# AVERTISSEMENT

## LIRE ET CONSERVER CES INSTRUCTIONS



La plupart des accidents de nature électrique tirent leurs sources de la négligence ou de l'ignorance. Si vous entretenez une connaissance de base de l'électricité et lui jumelez respect et bon jugement, vous pourrez effectuer de nombreuses réparations électriques domestiques en toute sécurité. Voici quelques lignes directrices à suivre lorsque vous effectuez des travaux électriques :

Avant de travailler avec un circuit, accédez au panneau de disjoncteurs principal et enlevez le fusible ou mettez hors tension le disjoncteur commandant ce circuit. À l'aide de ruban adhésif, collez une petite affiche au panneau avertissant toute autre personne de ne pas toucher au panneau des disjoncteurs pendant que vous travaillez avec ce circuit.

Avant de toucher un fil quelconque, servez-vous d'un vérificateur de tension pour vous assurer qu'il n'est pas sous tension.

Chaque fois que vous vérifiez la présence d'une tension dans une prise de courant murale, vérifiez toujours les deux prises individuelles: deux circuits de câblage séparés peuvent très bien asservir les deux prises individuellement, l'une indépendamment de l'autre.

Lorsque vous remplacez des fusibles, mettez d'abord le commutateur principal de courant hors tension. Assurez-vous que vos mains et pieds sont secs, et placez une main derrière votre dos afin d'empêcher l'électricité de décrire un circuit complet à travers votre poitrine. Touchez un fusible à bouchon seulement par son rebord isolé. Retirez les fusibles à cartouche à l'aide d'une pince à fusible.

Utilisez des outils à poignées isolées et des échelles en bois ou en fibre de verre.

Gardez des extincteurs à poudre dans la cuisine, au sous-sol et dans l'atelier.

Ne mettez jamais des dispositifs de mise à la terre hors fonction. Assurez-vous que tous les appareils ménagers qui nécessitent une mise à la terre sont adéquatement mis à la terre et que le système électrique l'est tout autant.

Respectez ou même dépassez les exigences du code électrique touchant les travaux que vous effectuez.

Travaillez toujours avec suffisamment d'éclairage pour voir clairement ce que vous faites; il est facile de commettre des erreurs en travaillant à la lumière tamisée ou faible.

Consultez un électricien qualifié en cas de doute.

### Exposition aux radiofréquences

Cet appareil est conforme aux limites d'exposition aux rayonnements pour un environnement non contrôlé établies par la FCC (États-Unis). Cet appareil doit être installé et utilisé à une distance minimale de 20 cm de votre corps.

Cet appareil est conforme aux dispositions de la section 15 des règles de la FCC. Son utilisation est assujettie aux deux conditions suivantes : (1) cet appareil ne doit pas causer d'interférences préjudiciables; et (2) cet appareil doit tolérer toute interférence reçue, y compris les interférences susceptibles de provoquer un fonctionnement indésirable dudit appareil.

Tout changement ou toute modification à cet appareil n'ayant pas été expressément approuvé par le fabricant pourrait annuler l'autorisation accordée à l'utilisateur de faire fonctionner l'équipement.

NOTE : Cet appareil a été testé et déclaré conforme aux limites applicables à un appareil numérique de classe B, en vertu de la Partie 15 des règles de la FCC. Ces limites sont conçues pour fournir une protection raisonnable contre les interférences préjudiciables dans une installation résidentielle. Ce dispositif génère, fait usage et peut émettre de l'énergie en radiofréquence et, s'il n'est pas installé et utilisé conformément aux directives fournies, peut être à la source d'interférences préjudiciables pour les communications radio. Toutefois, il n'y a pas de garantie à l'effet qu'il n'y aura pas d'interférence dans une installation donnée. Si le dispositif occasionne un brouillage préjudiciable à la réception radiophonique ou télévisuelle, ce qui peut être déterminé en le fermant puis en l'ouvrant, l'utilisateur est invité à tenter d'éliminer l'interférence au moyen de l'une ou de plusieurs des mesures suivantes :

- réorienter ou déplacer l'antenne réceptrice
- accroître la distance entre le dispositif et le récepteur
- brancher le dispositif dans une prise appartenant à un circuit différent de celui auquel le récepteur est connecté
- consulter le marchand ou un technicien expérimenté en radio/TV pour obtenir de l'aide.

Partie responsable auprès de la FCC : Globe Electric  
2264 East 6th Street, San Bernardino, CA 92410  
www.globe-electric.com

CAN ICES-005 (B)/NMB-005 (B)  
CAN ICES-003 (B)/NMB-003(B)

Cet appareil contient des émetteurs/récepteurs exempts de licence conformes aux CNR d'Innovation, Sciences et Développement économique Canada (ISDE) encadrant les appareils exempts de licence. Son utilisation est soumise aux deux conditions suivantes: (1) cet appareil ne peut pas causer d'interférence, et (2) cet appareil doit accepter toute interférence, y compris les interférences pouvant causer un fonctionnement indésirable du dispositif.

L'appareil a été évalué pour répondre aux exigences générales d'exposition aux RF.

La distance entre l'utilisateur et les produits devraient être d'au moins 20 cm.

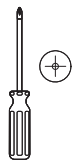
**AVERTISSEMENT :** pour réduire le risque d'incendie ou d'électrocution, n'utilisez pas ce ventilateur avec un dispositif de contrôle de la vitesse à semi-conducteurs.

**AVERTISSEMENT :** pour réduire les risques de blessures, ne pliez pas les supports de pales lors de leur installation, de l'équilibrage des pales ou du nettoyage du ventilateur. N'insérez pas d'objets entre les pales en rotation du ventilateur.

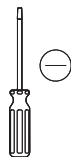
**AVERTISSEMENT :** pour réduire les risques d'incendie, d'électrocution ou de blessure, montez l'appareil sur un boîtier électrique portant la mention « Acceptable pour un ventilateur de 15,9/22,7/31,8 kg (35/50/70 lb) ou moins », et utilisez les vis de montage fournies avec le boîtier.

**MISE EN GARDE :** pour réduire le risque d'électrocution, débranchez le circuit d'alimentation électrique du ventilateur avant l'installation.

## OUTILS REQUIS



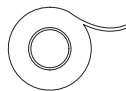
Tournevis  
cruciforme



Tournevis  
plat



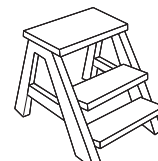
Clé à  
molette



Ruban  
isolant



Pince  
coupe-fils



Marchepied

Remarque : N'utilisez pas d'outils électriques pour l'installation afin d'éviter d'endommager les vis ou les pièces.

## CARACTÉRISTIQUES

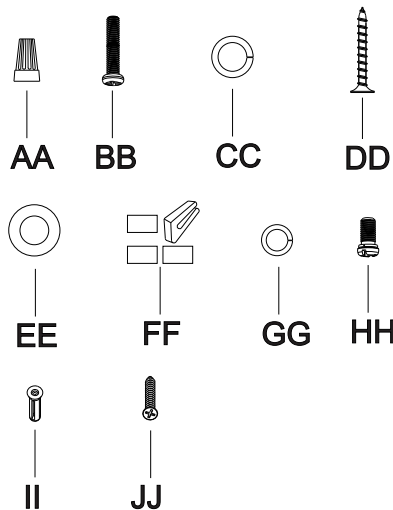
- Télécommande
- Application intelligente
  - Contrôle via l'appli ou la voix
  - Jumelage avec assistant virtuel
  - RVB | 16+ millions de couleurs
  - Blanc ajustable | 2000 K - 5000 K
  - Horaires et minuteries
- Fonctionnalité silencieuse WhisperQuiet<sup>MC</sup>

## SPÉCIFICATIONS

- Moteur à courant continu
- Éconergétique 25 W
- Moteur réversible
- 6 vitesses
- 5000 PCM, 175 RPM
- DEL intégrée
- 800 lumens, 80 IRC
- 30,000 heures
- 48 po de diamètre (lorsque entièrement assemblé)
- Poids net : 5,8 kg / 12,8 lb

| Modèle | Épaisseur min. des bords des lames (po/mm) | Longueur de la lame (po/cm) | RPM | Vitesse à la pointe des lames (pi/s, m/s) |
|--------|--|-----------------------------|-----|---|
| 27105  | 0.126"(3.2mm)                              | 24.01"(61cm)                | 175 | 39.64ft/s (11.17m/s)                      |

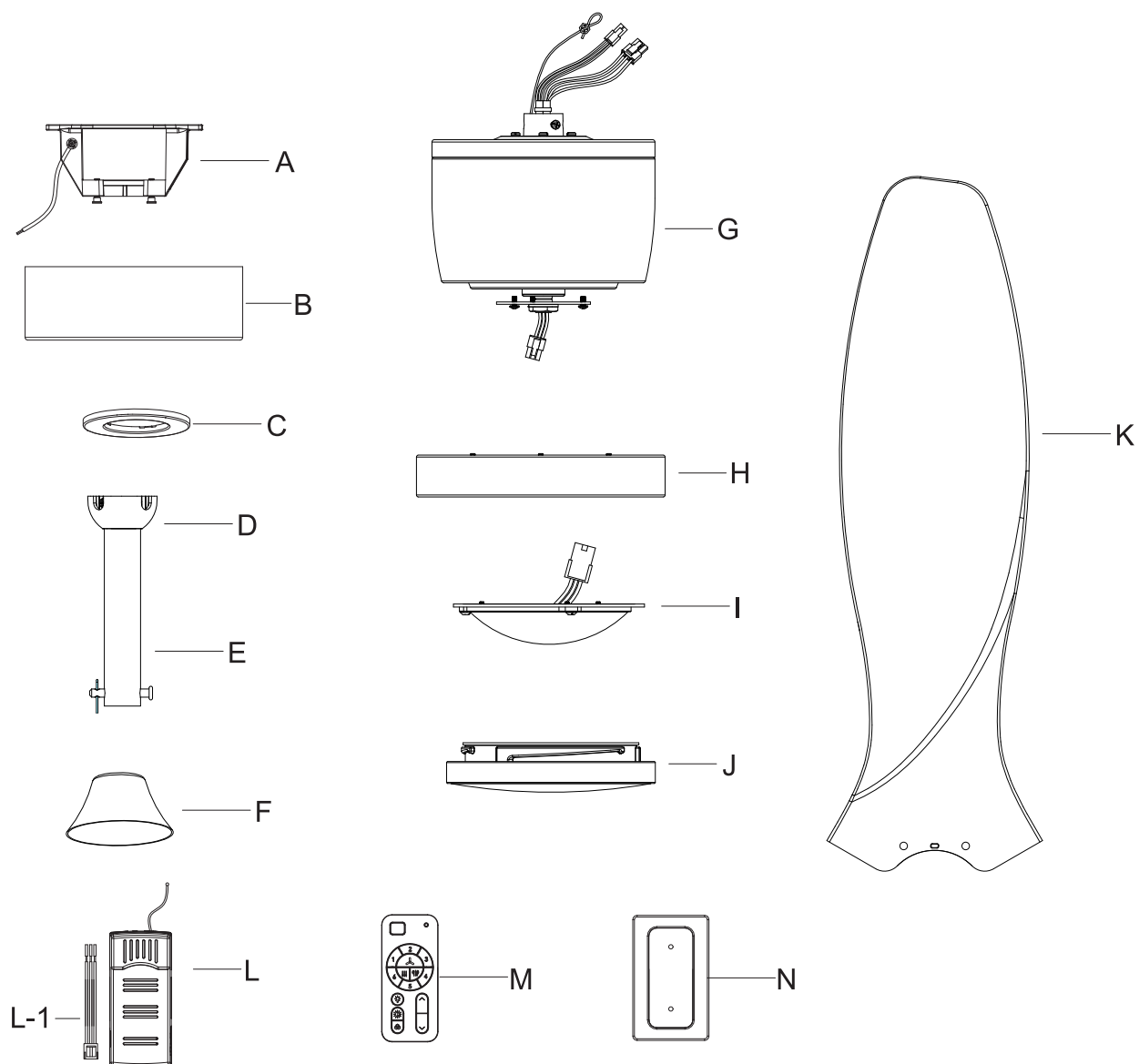
## MATÉRIEL D'INSTALLATION INCLUS



| Pièce | Description   | Quantité |
|-------|---|----------|
| AA    | Capuchon de connexion ( P4 )  | 3        |
| BB    | Vis de montage supplémentaires pour la boîte de sortie ( M4*25 )                          | 2        |
| CC    | Rondelle 2 - D5   | 3        |
| DD    | Vis ( ST4.8*35 )  | 1        |
| EE    | Rondelle 1 - D15  | 5        |
| FF    | Trousse d'équilibrage   | 1        |
| GG    | Rondelle 3 - D4 (Rondelles supplémentaires pour les vis de montage de la boîte de sortie) | 2        |
| HH    | Vis à tête plate et rondelles   | 7        |
| II    | Ancrages pour plaque murale de télécommande   | 2        |
| JJ    | Vis pour plaque murale de télécommande  | 2        |

## CONTENU DE L'EMBALLAGE

Remarque : Retirez tout le contenu de la boîte avant de commencer l'installation.



| Pièce | Description  | Quantité |
|-------|--|----------|
| A     | Support de montage                                 | 1        |
| B     | Pavillon de recouvrement                           | 1        |
| C     | Anneau du pavillon                                 | 1        |
| D     | Boule de suspension<br>(préassemblée avec la tige) | 1        |
| E     | Tige de suspension                                 | 1        |
| F     | Couvercle décoratif du moteur                      | 1        |
| G     | Boîtier du moteur                                  | 1        |
| H     | Plaque lumineuse                                   | 1        |

| Pièce | Description                  | Quantité |
|-------|------------------------------|----------|
| I     | Module DEL                   | 1        |
| J     | Diffuseur                    | 1        |
| K     | Pale                         | 3        |
| L     | Récepteur de la télécommande | 1        |
| M     | Télécommande                 | 1        |
| N     | Support de télécommande      | 1        |

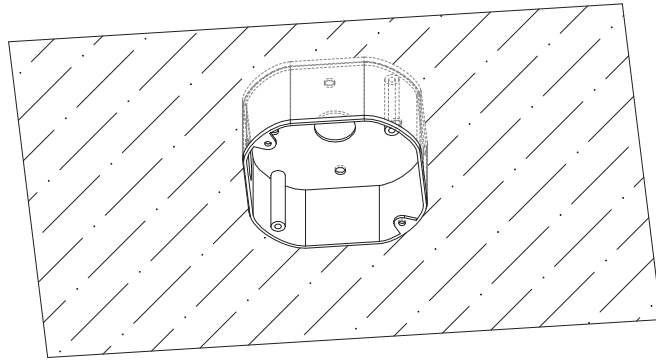
## PRÉ-INSTALLATION

Boîte de sortie :

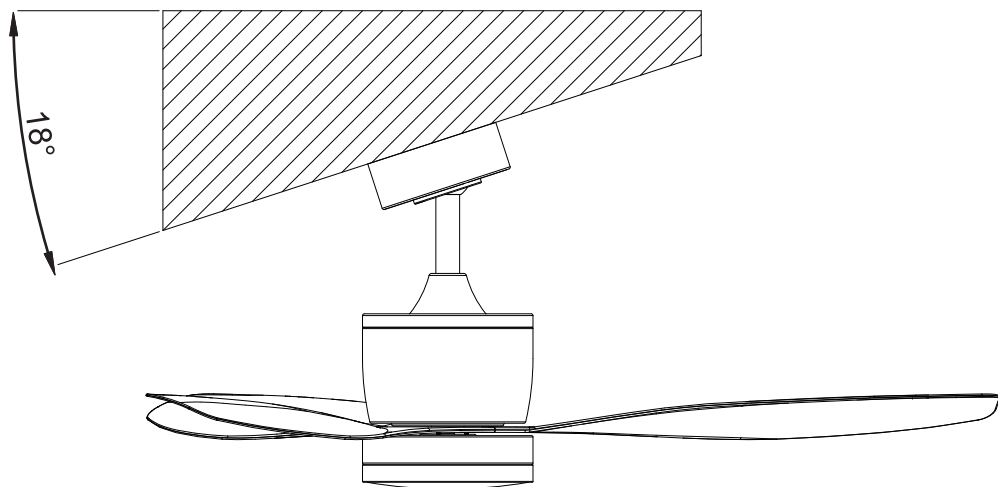
Le ventilateur doit pouvoir être fixé à une boîte de sortie prévue à cet effet. Si la boîte en place n'est pas conforme, contactez un électricien qualifié pour l'installation.



**AVERTISSEMENT :** POUR RÉDUIRE LES RISQUES D'INCENDIE, D'ÉLECTROCUTION OU DE BLESSURE, MONTEZ L'APPAREIL SUR UNE BOÎTE DE SORTIE PORTANT LA MENTION « ACCEPTABLE POUR UN VENTILATEUR DE 15,9/22,7/31,8 KG (35/50/70 LB) OU MOINS », ET UTILISEZ LES VIS DE MONTAGE FOURNIES AVEC LA BOÎTE. CONSULTEZ UN ÉLECTRICIEN QUALIFIÉ EN CAS DE DOUTE.

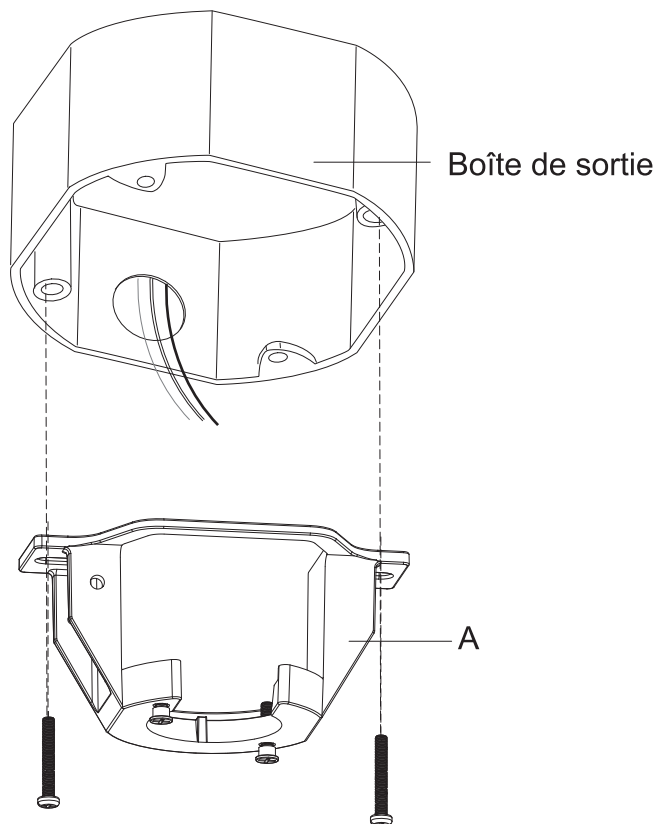


**REMARQUE :** Le ventilateur peut être monté sur un plafond incliné jusqu'à un angle maximum de 18 degrés.



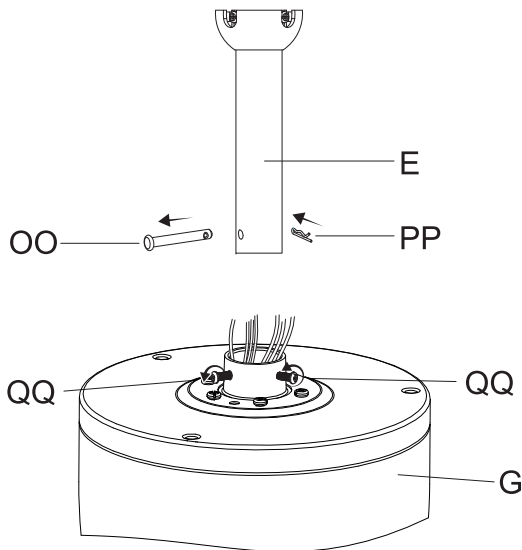
## Fixer le support de montage à la boîte de sortie

Fixez le support de montage (A) à la boîte de sortie du plafond avec les vis et les rondelles fournies avec la boîte.

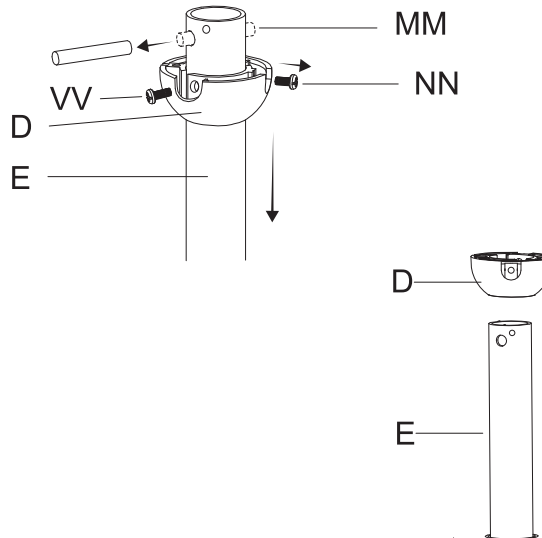


## 2. Fixer la tige de suspension au boîtier du moteur

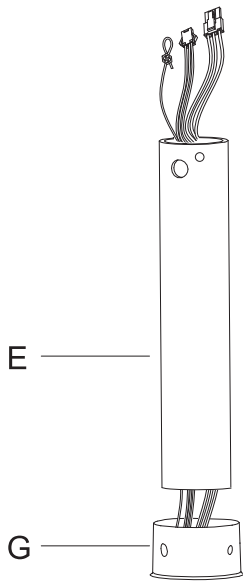
- 2.1 Desserrez les deux vis d'arrêt (QQ), puis retirez la goupille de verrouillage (PP) et la goupille de suspension (OO) du boîtier du moteur (G).



- 2.2 Retirez les vis d'arrêt de la boule de suspension (NN) et (VV), retirez la goupille transversale (MM), puis faites glisser la boule de suspension (D) hors de la tige (E).

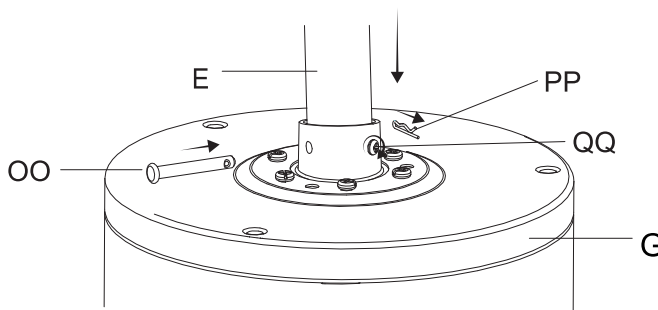


- 2.3 Passez délicatement les fils du moteur dans la tige de suspension (E), à partir du bas et en montant vers le haut.



- 2.4 Insérez la tige (E) dans le boîtier du moteur (G). Alignez les trous et replacez la goupille de suspension (OO) et la goupille de verrouillage (PP). Serrez les vis d'arrêt (QQ).

Remarque : Si vous sentez une résistance lorsque vous enfoncez la goupille de suspension, tassez les fils sur le côté.



**MISE EN GARDE :** POUR ÉVITER TOUT DOMMAGE ET ASSURER UN FONCTIONNEMENT SANS VACILLEMENT, LES VIS D'ARRÊT DE LA TIGE DE SUSPENSION ET DU BOÎTIER DU MOTEUR DOIVENT ÊTRE SERRÉS À FOND, JUSQU'À CE QUE VOUS SENTIEZ UNE RÉSISTANCE.



**AVERTISSEMENT :** SI LA GOUPILLE DE VERROUILLAGE DU BOÎTIER DU MOTEUR N'EST PAS CORRECTEMENT INSTALLÉE, LE VENTILATEUR RISQUE DE SE DÉTACHER ET DE TOMBER.

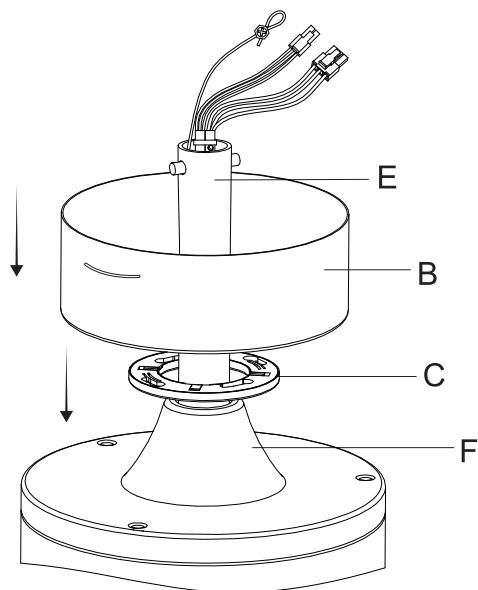


## 3. Fixer le pavillon de recouvrement à la tige de suspension

### 3.1 Glisser le couvercle décoratif (F) sur la tige de suspension

Glissez ensuite l'anneau de pavillon (C) et du pavillon de recouvrement (B), tous deux orientés vers le haut, sur la tige de suspension.

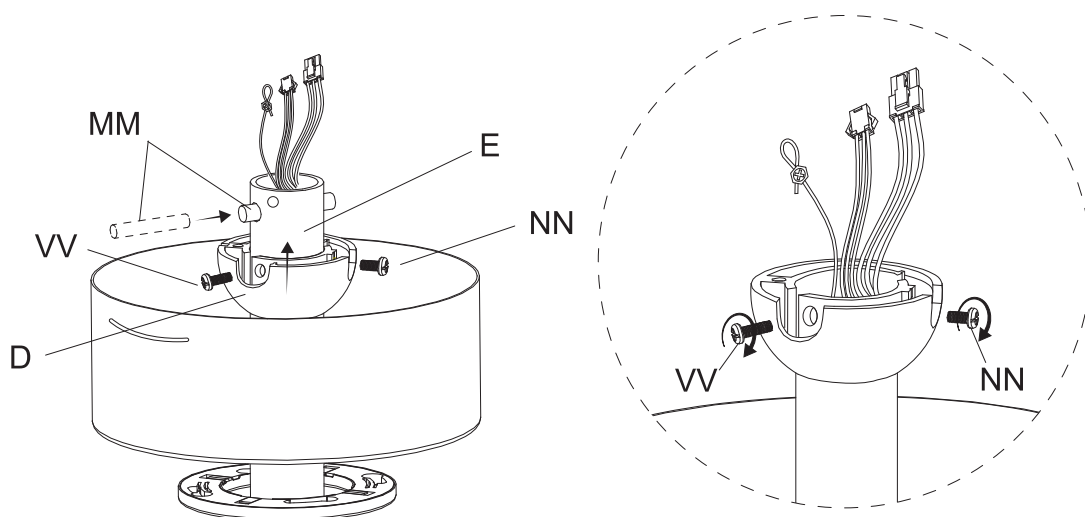
Remarque : Les deux petites ouvertures dans le pavillon (B) sont destinées à faciliter la réception du Wi-Fi.



### 3.2 Pour réinstaller la boule de suspension (D), faites-la glisser sur la tige (E) et réinsérez la goupille transversale (MM) dans le grand trou. Faites glisser la boule de suspension (D) vers le haut de manière à ce que la goupille transversale (MM) s'insère dans la rainure, en veillant à ce que les trous des vis soient correctement alignés (la plus grande vis [VV] doit être alignée avec le trou dans la tige [E]). Vissez ensuite les deux vis d'arrêt (NN) et (VV).

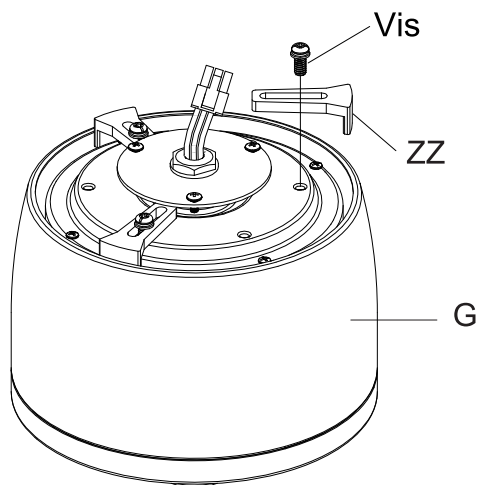
Remarque : Assurez-vous que les fils ne sont pas tordus.

**⚠ MISE EN GARDE : UNE VIS DESERRÉE PEUT ENTRAÎNER LE VACILLEMENT DU VENTILATEUR.**



## 4. Installer les pales

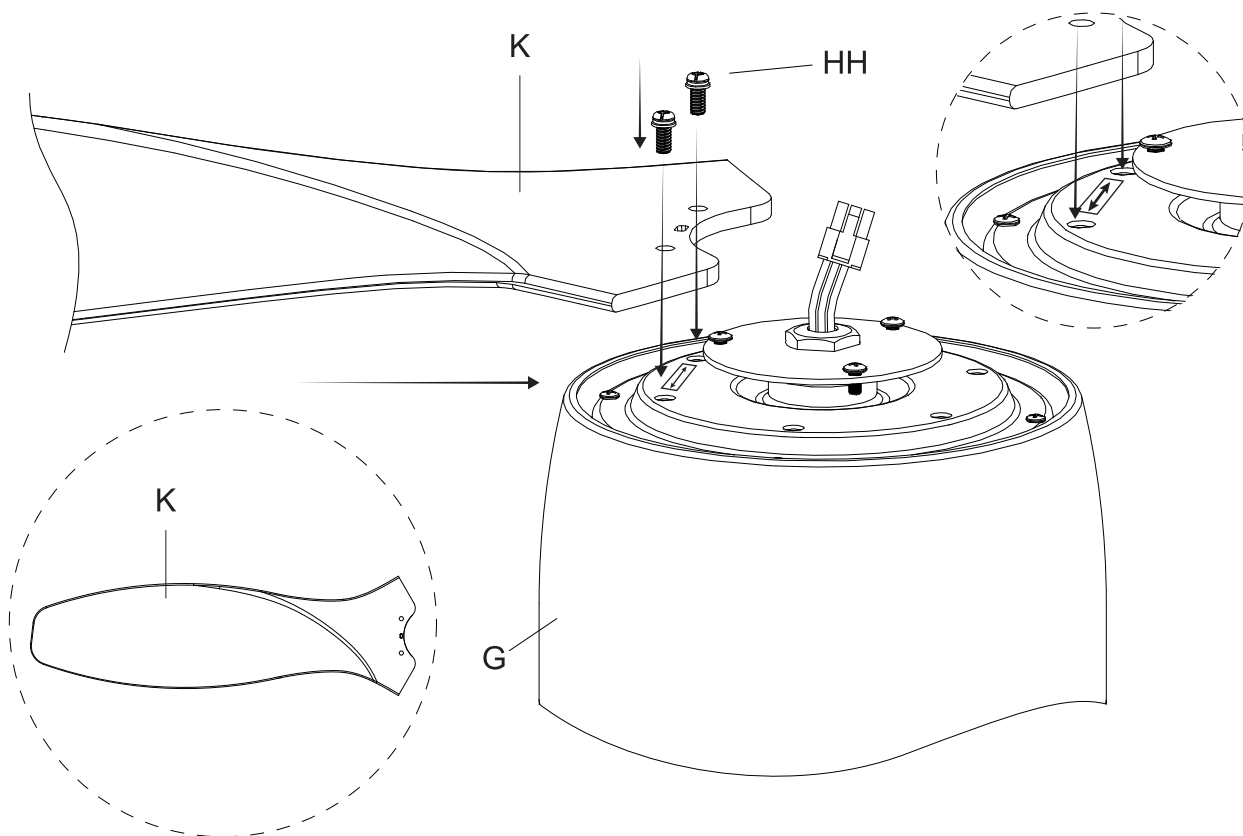
- 4.1 Dévisser et retirer complètement les protecteurs en plastique (ZZ) du boîtier du moteur (G) et les mettre au rebut.



- 4.2 Alignez une pale (K) avec le boîtier du moteur (G) entre les 2 flèches, comme indiqué, et fixez-la avec des vis provenant du sac HH. Répétez cette procédure pour les deux autres pales.

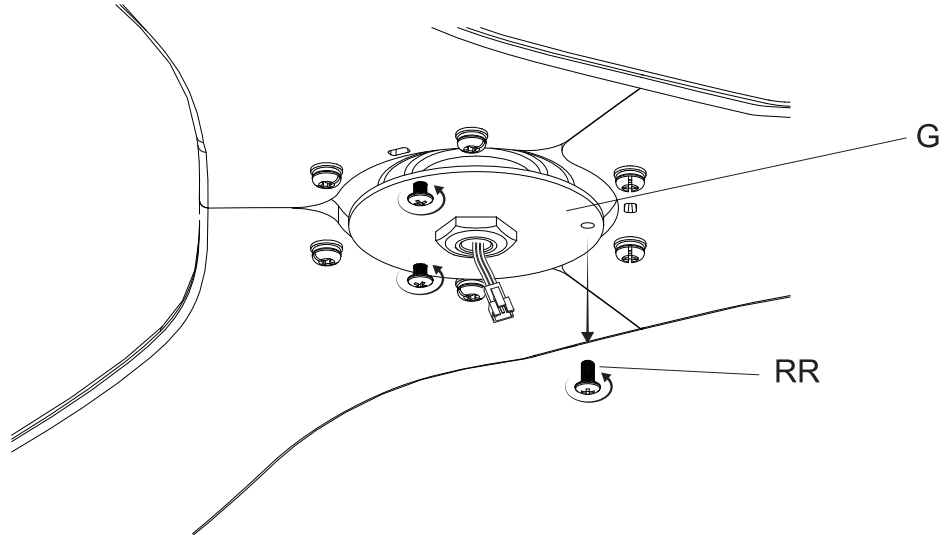
Pour simplifier l'installation, il est conseillé de retourner le boîtier du moteur lors de l'installation des pales. Pour éviter tout dommage potentiel, utilisez l'insert de la boîte pour stabiliser le ventilateur.

**⚠ MISE EN GARDE : UNE VIS DESSERRÉE PEUT ENTRAÎNER LE VACILLEMENT DU VENTILATEUR.**

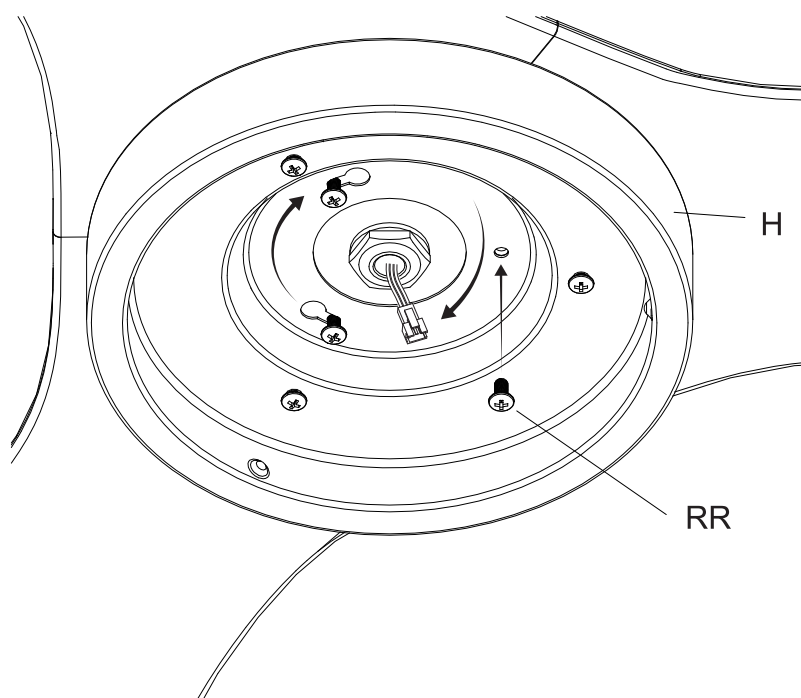


## 5. Installer la plaque lumineuse

- 5.1 Desserrez (au choix) 2 des 3 vis préinstallées (RR) et retirez complètement la troisième vis du boîtier du moteur du ventilateur (G).

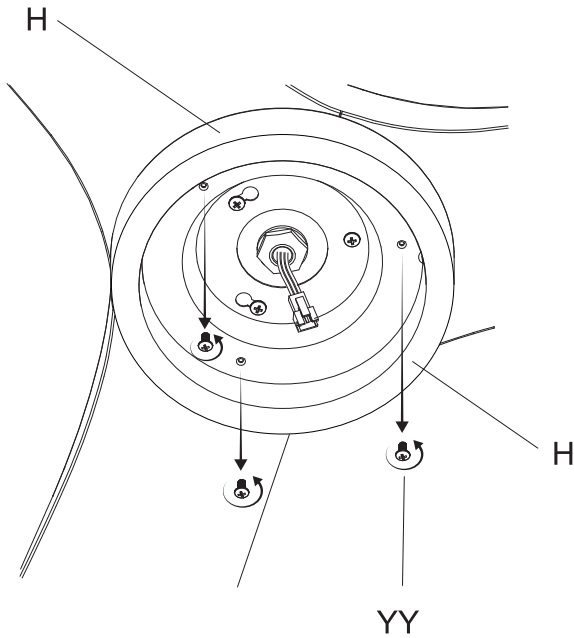


- 5.2 Installez la plaque lumineuse (H) en alignant les deux encoches en trou de serrure avec les deux vis (RR), puis serrez les vis. Insérez la troisième vis (RR) et serrez les trois vis à fond.

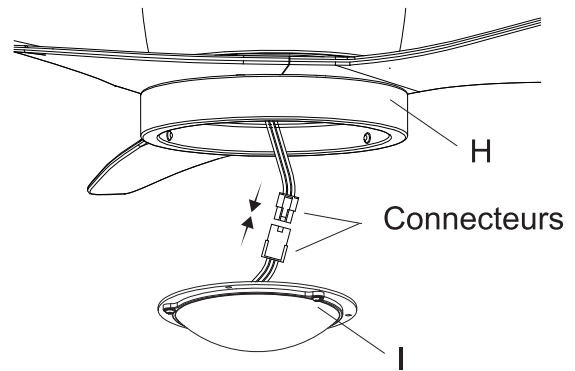


## 6. Installer le module DEL

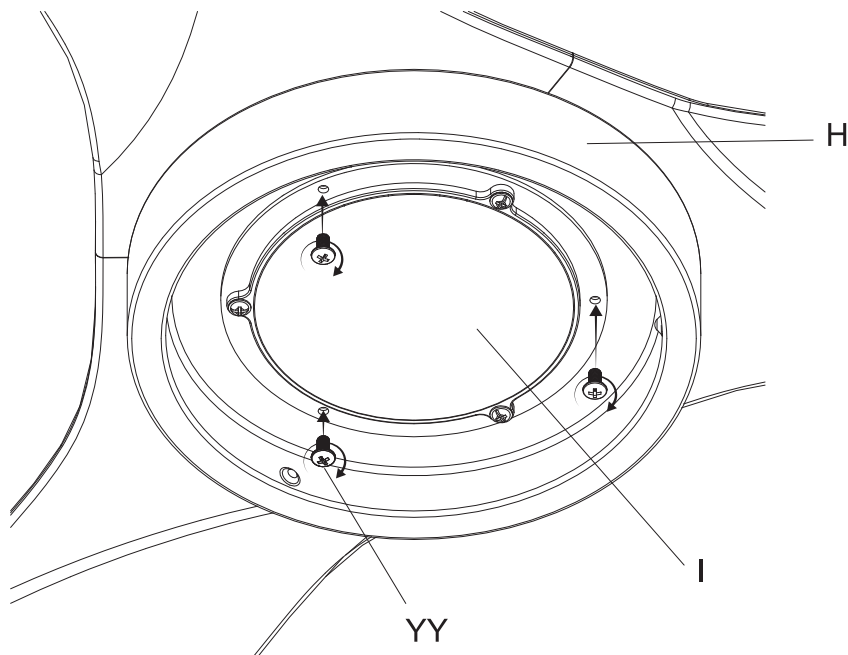
- 6.1 Retirez les 3 vis préinstallées (YY) de la plaque lumineuse (H).



- 6.2 Insérez les fils du module DEL (I) dans les fils de la plaque lumineuse (H).



- 6.3 Alignez les trous de vis du module DEL (I) avec ceux sur la plaque de lampe (H) et serrez les 3 vis (YY).

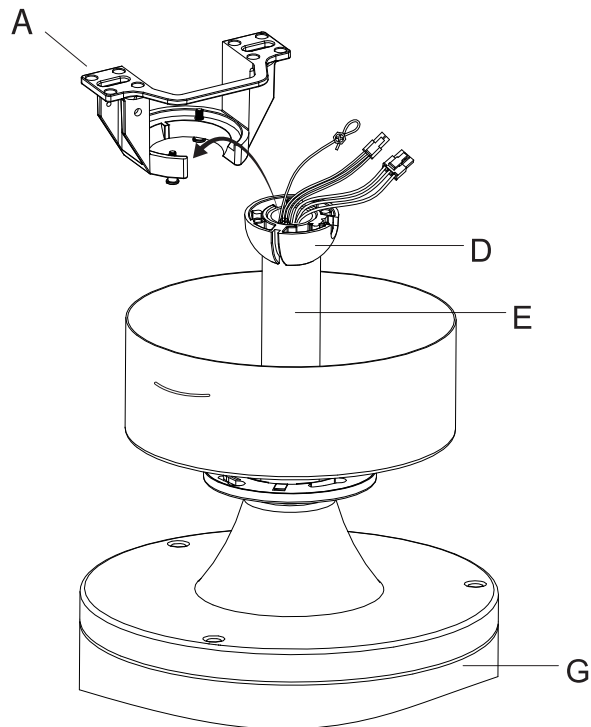


## 7. Accrocher le ventilateur au support

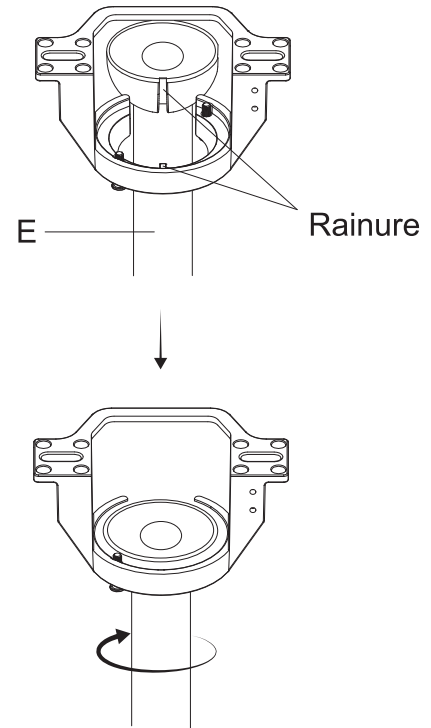
- 7.1 Suspendez le boîtier du moteur dans le support en plaçant la boule de suspension (D) dans l'ouverture du support de montage (A).



**MISE EN GARDE :** POUR ÉVITER D'ENDOMMAGER LE VENTILATEUR, SOULEVEZ-LE TOUJOURS PAR LA TIGE OU PAR LE BOÎTIER DU MOTEUR.

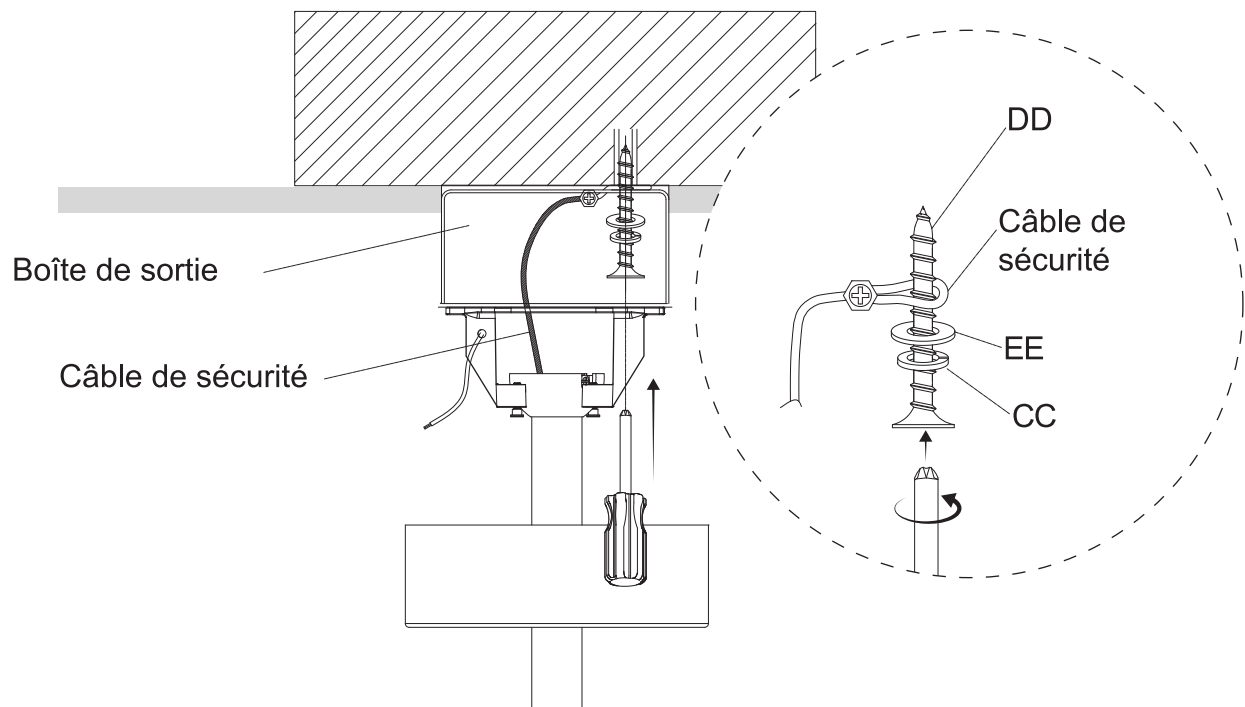


- 7.2 Tournez le moteur dans le sens horaire jusqu'à ce que la rainure de la boule de suspension se glisse dans la fente du support et s'y fixe fermement. Si cette opération est effectuée correctement, la tige de suspension (E) ne devrait pas pouvoir tourner.



## 8. Fixer le câble de sécurité à la boîte de sortie

Insérez une rondelle (CC), une rondelle (EE) et la boucle du câble de sécurité dans la vis (DD) du sac "BB", tel qu'illustré, et serrez la vis dans la solive du plafond.



## 9. Brancher les fils

- 9.1 Retirez le récepteur (L) et les fils (L-1) du sac en plastique et mettez le récepteur de côté.

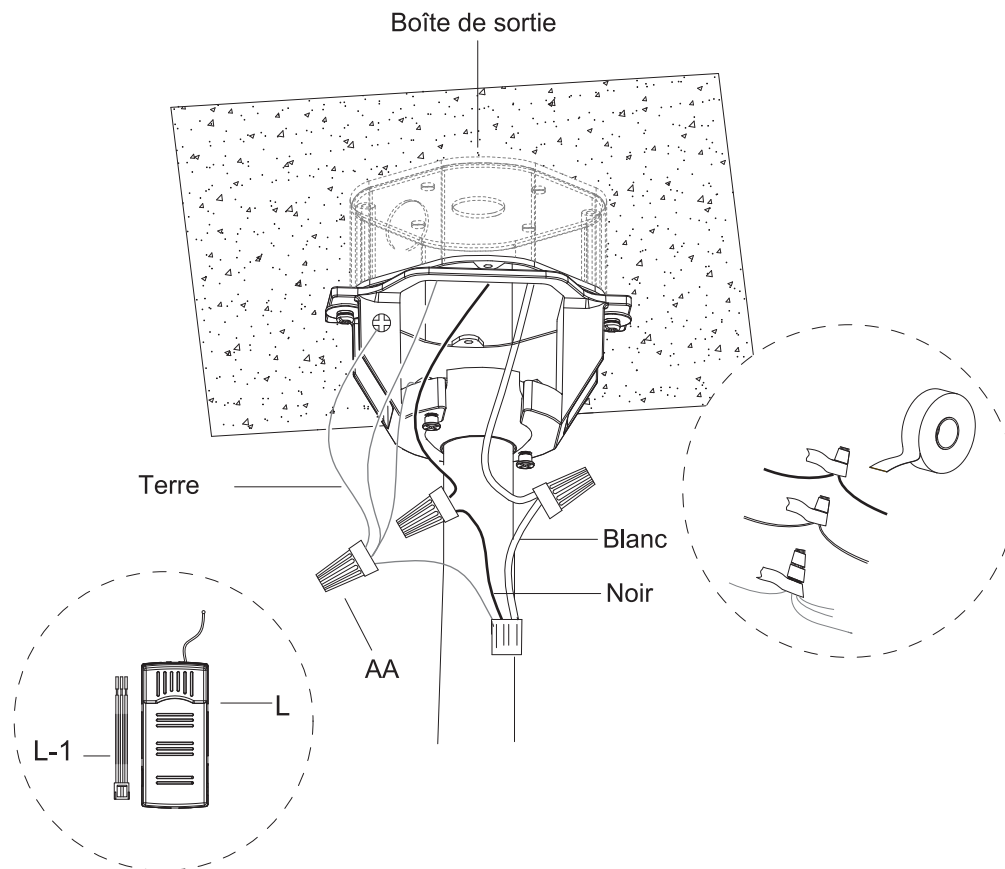
Raccordez les fils (L-1) aux fils de la boîte de sortie comme suit :

Raccordez le fil noir de la boîte de sortie au fil noir des fils (L-1) avec un capuchon de connexion (AA).

Raccordez le fil blanc de la boîte de sortie au fil blanc des fils (L-1) avec un capuchon de connexion (AA).

Connectez tous les fils de terre du ventilateur de plafond au fil de terre du plafond, comme indiqué ci-dessous. Si votre plafond n'est pas équipé d'un fil de terre, consultez un électricien qualifié.

Remarque : Fixez tous les fils à l'aide des capuchons de connexion en plastique (AA) fournis et entourez les connexions avec du ruban isolant.



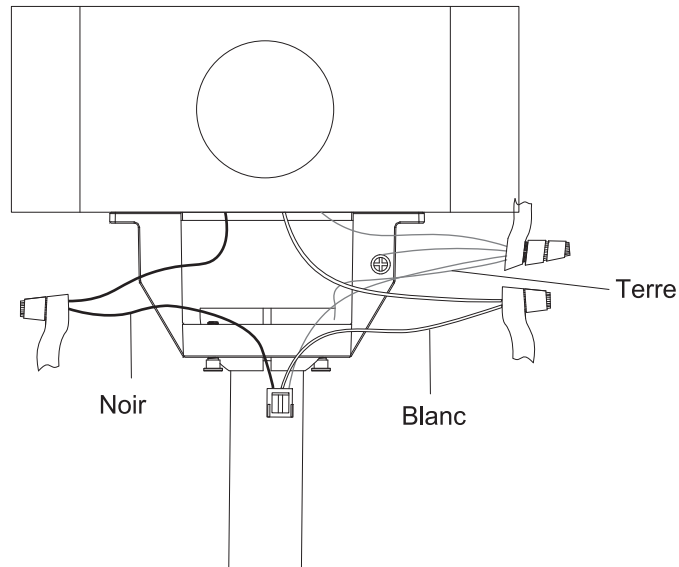
**AVERTISSEMENT** : TOUT LE CÂBLAGE DOIT ÊTRE CONFORME AU CODE NATIONAL DE L'ÉLECTRICITÉ, ANSI/NFPA 70. SI LES FILS DU SITE D'INSTALLATION SONT D'UNE AUTRE COULEUR QUE CELLE INDIQUÉE ICI, FAITES INSTALLER CE VENTILATEUR PAR UN ÉLECTRICIEN QUALIFIÉ. **AVERTISSEMENT** : LE VENTILATEUR DE PLAFOND DOIT ÊTRE MIS À LA TERRE. SI AUCUN FIL DE TERRE N'EST PRÉSENT SUR LE SITE D'INSTALLATION (PAR EXEMPLE, AU PLAFOND), ARRÊTEZ IMMÉDIATEMENT L'INSTALLATION ET CONSULTEZ UN ÉLECTRICIEN QUALIFIÉ.



**MISE EN GARDE** : POUR RÉDUIRE LE RISQUE D'ÉLECTROCUTION, DÉBRANCHEZ LE CIRCUIT D'ALIMENTATION ÉLECTRIQUE ALIMENTANT LE VENTILATEUR AVANT L'INSTALLATION. SI VOUS ESTIMEZ QUE VOS CONNAISSANCES EN MATIÈRE DE CÂBLAGE ÉLECTRIQUE NE SONT PAS SUFFISANTES, CONTACTEZ UN ÉLECTRICIEN QUALIFIÉ. **MISE EN GARDE** : N'INSTALLEZ PAS LE VENTILATEUR DANS UN ENDROIT HUMIDE OU MOUILLÉ. CE VENTILATEUR EST RÉSERVÉ À UN USAGE INTÉRIEUR.

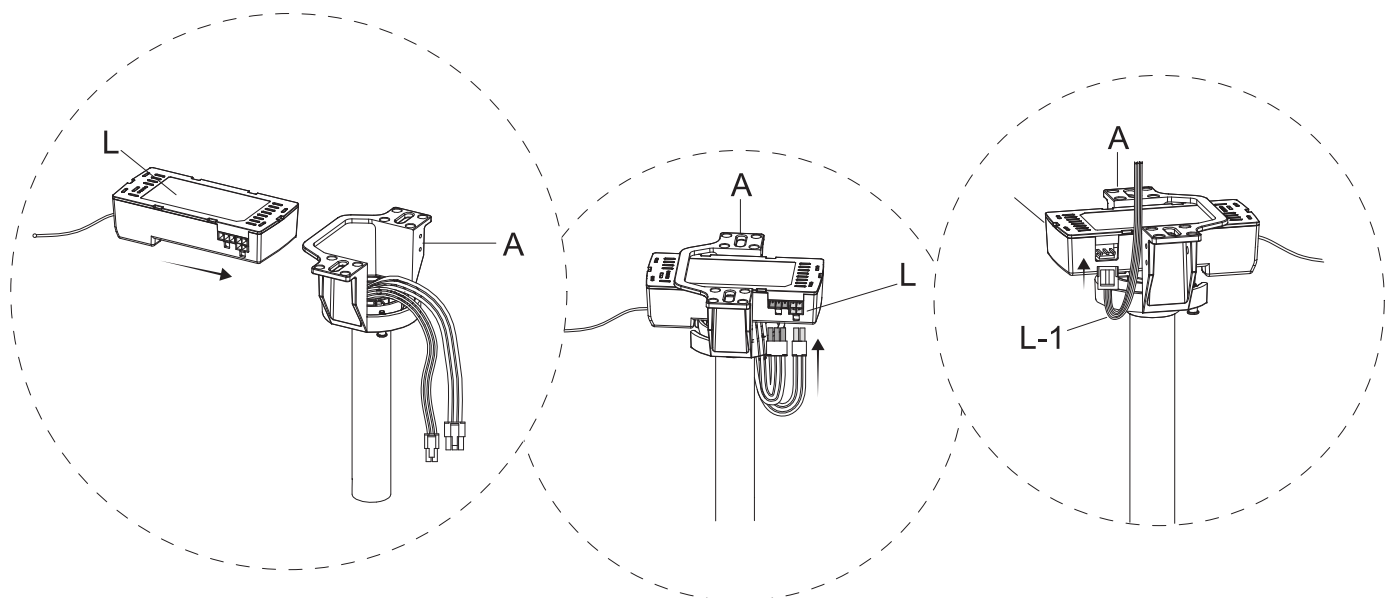
## INSTALLATION

- 9.2 Après avoir connecté les fils, placez les fils de terre d'un côté de la boîte de sortie et les fils noirs de l'autre côté. Rentez soigneusement les fils dans la boîte de sortie.



- 9.3 Insérez le récepteur de la télécommande (L) dans le support de montage (A) tel qu'illustré, en orientant le côté plat du récepteur vers le plafond.

Une fois le récepteur (L) placé dans le support (A), branchez les connecteurs à 4 et 3 broches et branchez les fils (L-1) au récepteur.

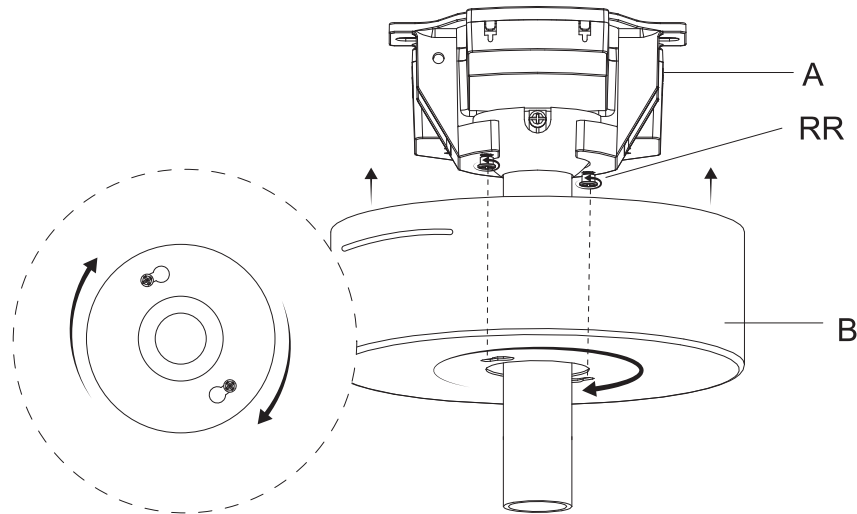




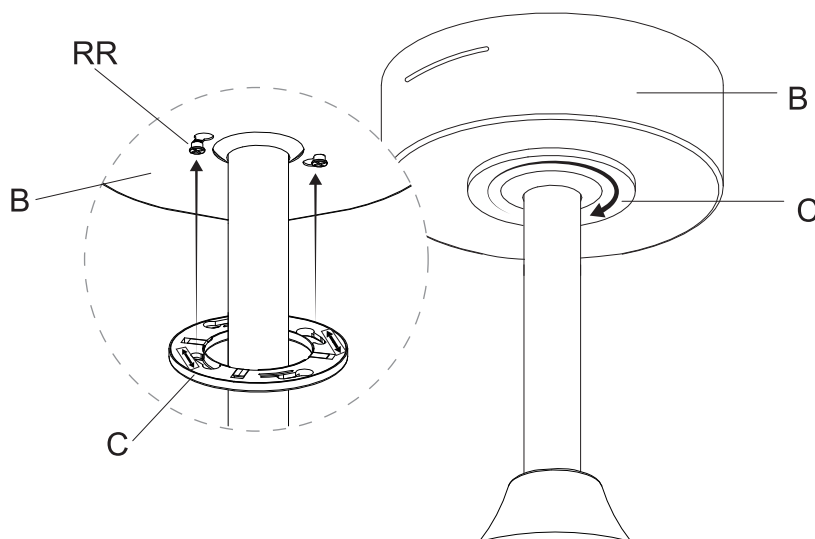
## 10. Installer le pavillon de recouvrement

- 10.1 Desserrez les deux vis du support de montage (RR) présentes sur le support de montage (A), fixez le pavillon de recouvrement (B) au support de montage en alignant les vis sur les trous et en pivotant, puis serrez les vis (RR).

Remarque : Veillez à ce que l'antenne jaune du récepteur soit à l'intérieur du pavillon de recouvrement.

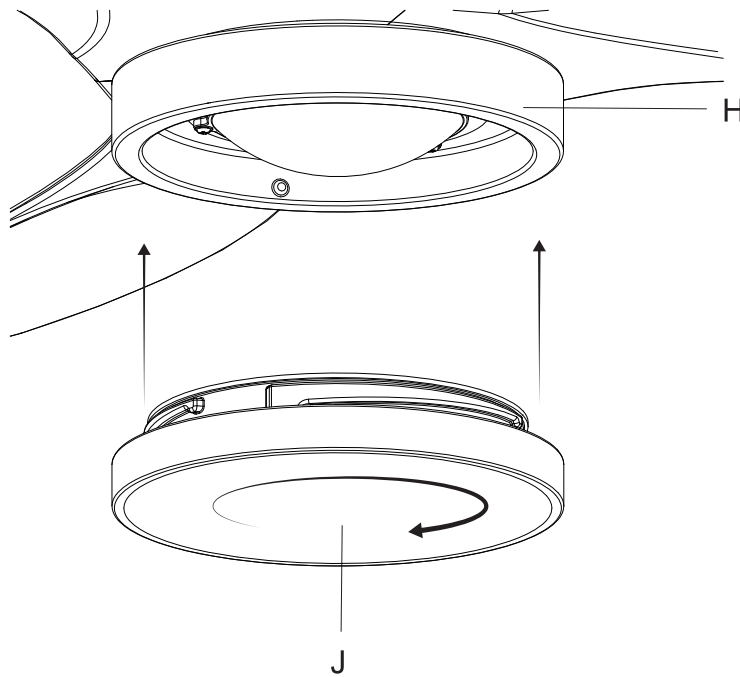


- 10.2 Alignez l'anneau du pavillon (C) avec le pavillon de recouvrement (B) et poussez l'anneau vers le haut jusqu'à ce que les têtes des vis du support de montage (RR) s'engagent dans les fentes du couvercle, puis tournez l'anneau dans le sens horaire jusqu'à ce qu'il soit bien serré.



## 11. Installer le diffuseur

Fixez le diffuseur (J) à la plaque lumineuse (H) en le tournant dans le sens horaire jusqu'il soit bien serré.



# FONCTIONNEMENT DU VENTILATEUR ET DE LA TÉLÉCOMMANDE

**Marche-arrêt**  
Appuyez sur ce bouton pour allumer ou éteindre le ventilateur ou la lampe  
Remarque : le ventilateur et la lampe s'allument dans le dernier état sélectionné.

**Marche-arrêt de la lampe**  
Appuyez sur ce bouton pour allumer ou éteindre la lampe.

**Ambient Select<sup>MC</sup> 6 couleurs**  
Appuyez sur ce bouton pour sélectionner l'une des 6 couleurs d'ambiance : lumière du jour, blanc froid, blanc naturel, blanc chaud, blanc doux ou coucher de soleil.

**7 couleurs RVB prédéfinies**  
Appuyez sur ce bouton pour sélectionner l'une des 7 couleurs RVB : rouge, orange, jaune, vert, cyan, bleu ou magenta.

**DEL**  
L'indicateur DEL bleu s'allume lorsque vous appuyez sur un bouton

**N° 1 à 6 : 6 vitesses du ventilateur**

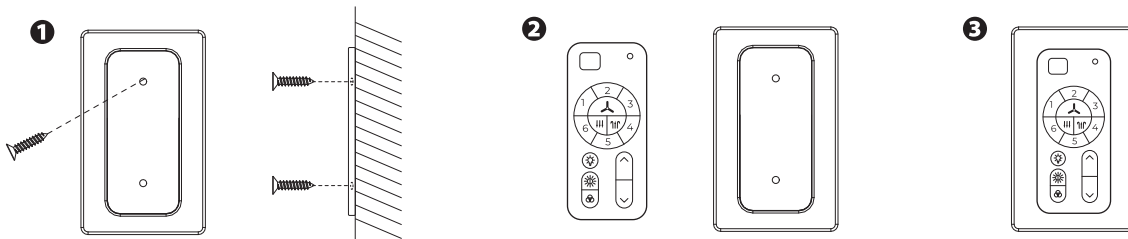
**Marche-arrêt du ventilateur**  
Appuyez sur ce bouton pour allumer ou éteindre le ventilateur.

**Direction du ventilateur vers le haut**  
Appuyez sur ce bouton pour inverser la rotation du ventilateur vers le haut afin de faire circuler l'air chaud ascendant.

**Direction du ventilateur vers le bas**  
Appuyez sur ce bouton pour inverser la rotation du ventilateur vers le bas afin d'obtenir un courant d'air frais.

**Augmentation et diminution de l'intensité**  
Appuyez sur les flèches vers le haut ou vers le bas sans les maintenir enfoncées pour augmenter ou diminuer la luminosité

Remarque : La télécommande fonctionne avec une pile bouton CR2032 (incluse). Retirez la languette en plastique du couvercle de la pile avant d'utiliser la télécommande.



Utilisez les accessoires trouvés dans le sac pour installer la plaque magnétique à l'endroit de votre choix.

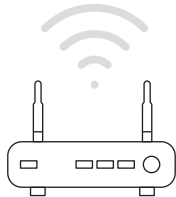


## 1

### Téléchargement de l'application Globe Suite<sup>MC</sup>

Assurez-vous que votre appareil mobile fonctionne sous **iOS 9.0/watchOS 2.0/Android<sup>MC</sup> 4.4 ou une version ultérieure.**

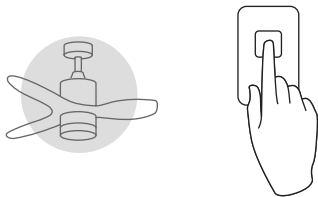
- Téléchargez l'application **Globe Suite<sup>MC</sup>** dans le magasin d'applications iOS ou Android.
- Créez un compte avec votre adresse courriel, puis ouvrez une session.



## 2

### Vérifiez votre réseau

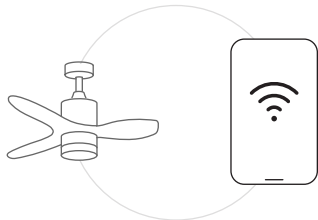
- Vérifiez votre réseau et assurez-vous que votre appareil mobile est connecté à un canal Wi-Fi 2,4 GHz.
- Consultez la documentation de votre routeur pour obtenir des instructions détaillées sur la manière de modifier les paramètres sans fil.
- Une fois que vos appareils sont jumelés avec succès, vous pouvez revenir en mode mixte ou utiliser un réseau de données cellulaires pour contrôler vos produits intelligents.



## 3

### Mettez votre ventilateur de plafond intelligent en mode jumelage

- Assurez-vous que le ventilateur de plafond intelligent est allumé.
- Le voyant du ventilateur de plafond intelligent devrait **clignoter rapidement.**
- S'il ne clignote pas rapidement, faites basculer l'interrupteur en position marche/arrêt 5 fois rapidement en 1 minute. Le voyant devrait alors commencer à clignoter rapidement. Si ce n'est pas le cas, répétez l'opération.

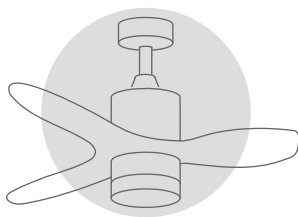


## 4

### Connectez-vous à l'application Globe Suite<sup>MC</sup>

Sur votre appareil mobile, donnez toutes les autorisations requises : **Wi-Fi, Bluetooth et localisation.**

- Appuyez sur l'icône « + » dans le coin supérieur droit de l'écran d'accueil de l'application Globe Suite<sup>MC</sup>.
- Si le voyant à DEL clignote rapidement, votre ventilateur de plafond intelligent sera détectée en quelques secondes. Une fois le ventilateur détecté, sélectionnez « Ajouter » à côté de l'icône du ventilateur intelligent.
- Entrez correctement le mot de passe de votre réseau sans fil et suivez les instructions dans l'application.  
Si la connexion échoue, essayez de sélectionner "Manuel", sélectionnez votre type de produit et suivez les instructions de l'application.



## 5

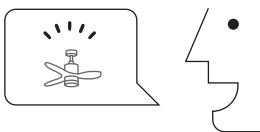
### Votre ventilateur de plafond intelligent est prêt!

- Nommez votre appareil et choisissez la pièce dans laquelle le placer.

Vous pouvez maintenant contrôler votre ventilateur de plafond intelligent directement dans l'application Globe Suite<sup>MC</sup>.

Toujours besoin d'aide? Sélectionnez le lien « mode d'appairage » sur la page « Ajouter un appareil » ou « Afficher l'aide » si aucun appareil n'est trouvé, puis suivez les instructions dans l'application ou visionnez la vidéo.

Vous pouvez également utiliser le code QR sur la première page de ce manuel d'instructions et rechercher la courte vidéo d'instruction.



## 6

### Configuration de l'assistant vocal

- Sur la page d'accueil, sélectionnez « Profil », puis « Intégration ». Sélectionnez l'assistant vocal désiré, puis suivez les instructions dans l'application.
- Création de raccourcis Siri (pour iOS).
  - Sur la page d'accueil, appuyez sur « Scènes intelligentes », puis sur l'icône « + » pour ajouter une scène à déclencher.
  - Une fois la scène créée, sélectionnez « Ajouter à Siri » et ajoutez la phrase aux raccourcis Siri.

\*Veuillez noter que la phrase exacte doit être dite pour que Siri exécute la scène.\*



| Quand vous voulez...                               | Alexa...   |
|--|--|
| <b>Allumer/éteindre uniquement le ventilateur.</b> | ... allume/éteint <nom de l'appareil>.   |
| <b>Allumer/éteindre uniquement la lumière.</b>     | ... allume/éteint la lumière de <nom de l'appareil>.   |
| <b>Modifier la luminosité.</b>                     | <p>... règle la lumière de &lt;nom de l'appareil&gt; à 50 %.</p> <p>... règle la luminosité de &lt;nom de l'appareil&gt; à 20 %.</p> <p>... augmente la luminosité de &lt;nom de l'appareil&gt;.</p> <p>... diminue la luminosité de &lt;nom de l'appareil&gt;.</p>  |
| <b>Modifier la température de couleur.</b>         | <p>... rend la lumière de &lt;nom de l'appareil&gt; plus chaleureuse.</p> <p>... rend la lumière de &lt;nom de l'appareil&gt; plus froide.</p> <p>... rend la lumière de &lt;nom de l'appareil&gt; plus douce.</p> <p>... rend la lumière de &lt;nom de l'appareil&gt; plus blanche.</p> <p>... règle la lumière de &lt;nom de l'appareil&gt; à « blanc chaud ».</p> <p>... règle la lumière de &lt;nom de l'appareil&gt; à « lumière du jour ».</p> |
| <b>Modifier la couleur.</b>                        | <p>... règle la lumière de &lt;nom de l'appareil&gt; à bleu.</p> <p>... change la couleur de &lt;nom de l'appareil&gt; en bleu.</p>  |
| <b>Modifier la vitesse du ventilateur.</b>         | <p>... règle la vitesse de &lt;nom de l'appareil&gt; sur &lt;valeur 1-6&gt;.</p> <p>... règle la vitesse de &lt;nom de l'appareil&gt; au maximum/minimum.</p> <p>... augmente la vitesse de &lt;nom de l'appareil&gt;.</p> <p>... diminue la vitesse de &lt;nom de l'appareil&gt; de &lt;valeur 1-5&gt;.</p> <p>... quelle est la vitesse de &lt;nom de l'appareil&gt;?</p>  |
| <b>Changer la direction du ventilateur.</b>        | <p>... quelle est la direction de &lt;nom de l'appareil&gt;?</p> <p>... règle la direction de &lt;nom de l'appareil&gt; sur refroidissement/chauffage/mode été/mode hiver.</p> <p>... règle la direction de &lt;nom de l'appareil&gt; sur le sens horaire/sens antihoraire.</p>  |



| Quand vous voulez...                                | Hey Google...  |
|---|--|
| <b>Allumer/éteindre uniquement le ventilateur .</b> | ... allume/éteint <nom de l'appareil>.   |
| <b>Allumer/éteindre uniquement la lumière.</b>      | ... allume/éteint la lumière de <nom de l'appareil>.   |
| <b>Modifier la luminosité.</b>                      | <p>... quel est le niveau de luminosité de &lt;nom de l'appareil&gt;?</p> <p>... règle &lt;nom de l'appareil&gt; à 50 %.</p> <p>... règle la luminosité de &lt;nom de l'appareil&gt; à 20 %</p> <p>... augmente la luminosité de &lt;nom de l'appareil&gt;.</p> <p>... diminue la luminosité de &lt;nom de l'appareil&gt;.</p> |
| <b>Modifier la température de couleur.</b>          | <p>... règle la lumière de &lt;nom de l'appareil&gt; à « blanc froid ».</p> <p>... règle la lumière de &lt;nom de l'appareil&gt; à « blanc chaud ».</p> <p>... règle la lumière de &lt;nom de l'appareil&gt; à « lumière du jour » ou « lumière chaude ».</p>  |
| <b>Modifier la couleur.</b>                         | <p>... règle la lumière de &lt;nom de l'appareil&gt; à bleu.</p> <p>... change la couleur de &lt;nom de l'appareil&gt; en bleu.</p>  |
| <b>Modifier la vitesse du ventilateur.</b>          | <p>... règle la vitesse de &lt;nom de l'appareil&gt; sur &lt;valeur 1-6&gt;.</p> <p>... augmente la vitesse de &lt;nom de l'appareil&gt;.</p> <p>... diminue la vitesse de &lt;nom de l'appareil&gt;</p> <p>... quelle est la vitesse de &lt;nom de l'appareil&gt;?</p>  |
| <b>Changer la direction du ventilateur.</b>         | <p>... quelle est la direction de &lt;nom de l'appareil&gt;?</p> <p>... règle la direction de &lt;nom de l'appareil&gt; sur refroidissement/chauffage/mode été/mode hiver.</p> <p>... règle la direction de &lt;nom de l'appareil&gt; sur marche avant/arrière.</p>  |

## DÉPANNAGE DE L'APPLICATION GLOBE SUITE

| <b>Problème</b>   | <b>Solution</b>   |
|---|---|
| <i>Mon appareil Globe ne se connecte pas au Wi-Fi.</i>  | Assurez-vous que votre appareil est relié à une source d'alimentation.<br>Votre connexion Internet ou votre réseau Wi-Fi est peut-être en panne.  |
| <i>Mon appareil ne trouve aucun réseau Wi-Fi.</i>   | Assurez-vous que vous disposez d'un réseau Wi-Fi de 2,4 GHz à portée de l'appareil que vous essayez d'ajouter.  |
| <i>Mon appareil se trouve dans un endroit qui n'a pas de réseau Wi-Fi. Puis-je l'utiliser quand même?</i> | Oui, le ventilateur fonctionnera avec la télécommande, mais pour accéder aux fonctions intelligentes, nous vous recommandons d'acheter un routeur plus puissant, un répéteur de signal Wi-Fi ou un réseau Wi-Fi maillé. |
| <i>Comment puis-je réinitialiser l'appareil?</i>  | Vous pouvez réinitialiser votre appareil en utilisant l'application Globe Suite : sélectionnez Options de l'appareil – SUPPRIMER - Restaurer les paramètres d'usine   |
| <i>Mon appareil est hors ligne pendant de longues périodes.</i>   | Assurez-vous que la puissance du signal Wi-Fi est suffisante. Vous devrez peut-être déplacer votre routeur, utiliser un réseau Wi-Fi maillé ou installer des répéteurs de signal Wi-Fi.                                 |

## ENTRETIEN

- Les mouvements naturels du ventilateur peuvent entraîner le desserrement de certaines connexions. Un bruit de cliquetis ou de claquement indique que des vis sont desserrées. Vérifiez les raccordements de soutien, les supports et la fixation des pales deux fois par an, et resserrez toutes les vis qui le nécessitent.
- Débranchez le ventilateur de l'alimentation électrique avant de procéder à l'entretien ou au nettoyage.
- Nettoyez régulièrement le ventilateur. Utilisez uniquement un chiffon humide et dépoussiérez à l'aide d'un chiffon doux ou d'une brosse. N'utilisez jamais de solvants.
- Le ventilateur n'aura jamais besoin d'être huilé, car son roulement scellé de manière permanente préviendra les bruits.
- N'utilisez pas l'appareil s'il est endommagé. Jetez le ventilateur ou retournez-le à un centre de service agréé pour inspection et/ou réparation.
- La puissance totale de l'appareil est de 18 watts; n'essayez pas de remplacer les DEL.

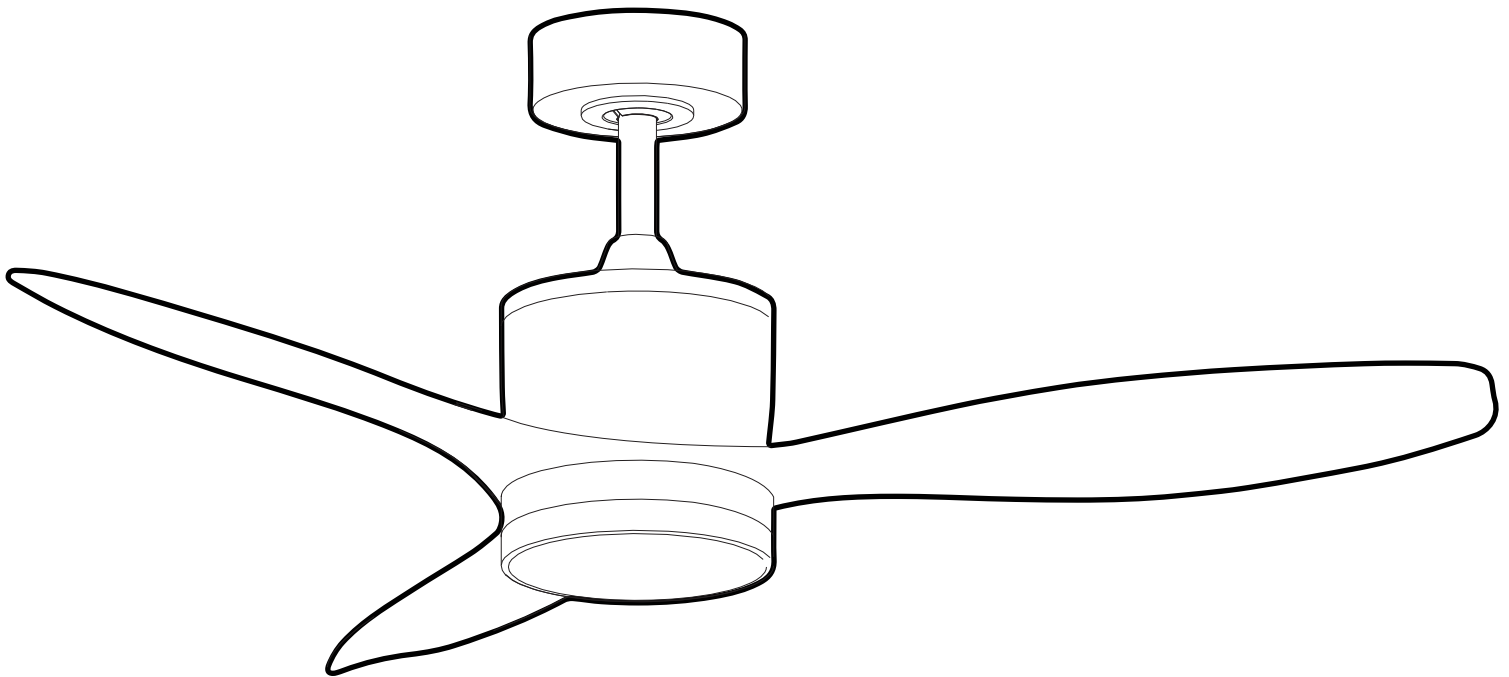
| Problème   | Solution  |
|--|---|
| <p><b>Le ventilateur/les lumières ne fonctionnent pas</b></p>                          | <p>Assurez-vous que l'interrupteur mural est allumé.<br/>Vérifiez tous les fusibles/disjoncteurs.<br/>Coupez l'alimentation électrique et assurez-vous que le câblage est conforme et les connecteurs bien fixés, tel qu'illustré à l'étape 6.2 de l'assemblage.<br/>Vérifiez que la télécommande fonctionne (l'indicateur DEL devrait s'allumer quand vous appuyez sur un bouton).<br/>Si le ventilateur/la lumière ne fonctionne toujours pas, contactez un électricien qualifié.<br/>N'essayez pas de résoudre vous-même les problèmes liés aux connexions électriques internes.</p>   |
| <p><b>Le ventilateur est bruyant</b></p>   | <p>Prévoyez une période de rodage de 24 heures. Tout niveau de bruit supérieur aux niveaux ambiants devrait disparaître pendant cette période.<br/>Vérifiez la boîte de sortie électrique et assurez-vous qu'elle est bien fixée.<br/>Assurez-vous que toutes les vis et tous les fils du ventilateur sont bien serrés/fixés, tel qu'illustré à l'étape 9 de l'assemblage.<br/>Vérifiez que le diffuseur est correctement installé et bien fixé, comme indiqué à l'étape 11 de l'assemblage.<br/>L'utilisation d'un gradateur ou d'une commande murale non approuvés peut perturber le fonctionnement du ventilateur et de la lumière et provoquer des bruits excessifs. Le cas échéant, vérifiez que la commande murale est approuvée pour l'utilisation d'un ventilateur de plafond. Il est toutefois déconseillé d'utiliser un gradateur avec le ventilateur.</p>  |
| <p><b>Le ventilateur se déplace d'avant en arrière lorsqu'il est mis en marche</b></p> | <p>Il s'agit d'une procédure de démarrage normale pour les ventilateurs à moteur à courant continu. Le mouvement partiel lors du démarrage est le résultat de l'alignement des pôles magnétiques internes du moteur à courant continu pour assurer le bon fonctionnement du moteur. Ce type de conception permet de réaliser des économies d'électricité et de réduire le bruit du ventilateur par rapport aux ventilateurs à moteur à courant alternatif standard.</p>   |
| <p><b>Le ventilateur ne déplace pas beaucoup d'air</b></p>                             | <p>Vérifiez le sens des pales du ventilateur lorsqu'il fonctionne. Si nécessaire, modifiez la direction des pales du ventilateur pour que le ventilateur de plafond déplace l'air dans la direction voulue.<br/>Assurez-vous qu'aucun article ménager ne bloque le flux d'air du ventilateur de plafond.<br/>Vérifiez que le ventilateur de plafond est adapté à la taille de la pièce dans laquelle il est installé.</p>   |
| <p><b>Le ventilateur tremble ou oscille</b></p>  | <p>Une légère oscillation est normale et ne signifie pas qu'il y a un défaut. Faites fonctionner le ventilateur pendant au moins 10 minutes avant de vérifier le niveau d'oscillation.<br/>Assurez-vous que la boîte de sortie et le support de montage sont solidement fixés, tel qu'illustré à l'étape 1 de l'assemblage.<br/>Assurez-vous que les pales du ventilateur sont correctement installées et que toutes les vis sont solidement fixées et serrées, tel qu'illustré à l'étape 4 de l'assemblage.<br/>Assurez-vous que la rainure de la boule de suspension est correctement insérée dans la fente du support. Si ce n'est pas le cas, faites tourner la boule de suspension dans le sens horaire jusqu'à ce qu'elle s'insère dans la fente, tel qu'illustré à l'étape 7.2 de l'assemblage.<br/>Le fait d'intervertir deux lames adjacentes (côte à côte) peut permettre de redistribuer le poids et d'atténuer l'oscillation. Reportez-vous à l'étape 4 de l'assemblage.<br/>Installez la trousse d'équilibrage incluse. Si le mouvement indésirable persiste, il suffit de changer l'emplacement des poids d'équilibrage jusqu'à ce que le mouvement excessif cesse.</p> |
| <p><b>La télécommande ne fonctionne pas</b></p>  | <p>Assurez-vous que les batteries sont correctement installées dans la télécommande.<br/>Assurez-vous que la télécommande et le récepteur sont jumelés. Si les batteries sont neuves et que l'indicateur DEL fonctionne, mais que le ventilateur ou la lumière ne fonctionnent toujours pas, il se peut que la télécommande ne soit plus jumelée. Pour jumeler la télécommande et le ventilateur, appuyez 3 fois sur le bouton marche/arrêt (rouge) principal.<br/>Assurez-vous que les fils du récepteur sont correctement connectés au câblage de la maison et aux fils du ventilateur de plafond, tel qu'illustré à l'étape 9.3 de l'assemblage.</p>   |





## VENTILADOR DE TECHO INTELIGENTE EDINBURG

27105



Video con instrucciones del  
producto paso a paso

Escanee con su  
dispositivo móvil

Desde 1932, Globe se enorgullece de ofrecer productos de iluminación de la mayor calidad y un servicio sin igual en el sector. Si tiene alguna dificultad o pregunta, o simplemente desea hacernos llegar sus comentarios valiosos, puede comunicarse de las siguientes formas:

Teléfono sin cargo: 1-888-543-1388 (Norteamérica únicamente) / Fax sin cargo: 1-800-668-4562 (Norteamérica únicamente)

Correo electrónico: [info@globe-electric.com](mailto:info@globe-electric.com) / Correo: Globe Electric, Customer Service Department

150 Oneida, Montréal, Québec, Canada H9R 1A8

Víste también nuestro sitio web para descubrir más productos Globe de calidad: <http://www.globe-electric.com>

## CONTENIDO

|  |    |
|--|----|
| Contenido  | 2  |
| Garantía   | 2  |
| Advertencia  | 3  |
| Herramientas requeridas                            | 4  |
| Características                                    | 4  |
| Especificaciones                                   | 4  |
| Materiales incluidos                               | 4  |
| Contenido del paquete                              | 5  |
| Preinstalación                                     | 6  |
| Instalación  | 7  |
| Funcionamiento del ventilador y del control remoto | 19 |
| Instrucciones para la conexión                     | 20 |
| Comandos de voz                                    | 21 |
| Solución de problemas de la aplicación Globe Suite | 23 |
| Mantenimiento                                      | 23 |
| Solución de problemas                              | 24 |

## GARANTÍA

### **TRES AÑOS DE GARANTÍA LIMITADA**

Lo que se cubre

Se garantiza que este producto no tiene partes defectuosas de fábrica o de mano de obra durante un período de tres años desde la fecha de compra. Se necesita el recibo de compra para todos los reclamos de garantía.

Lo que no se cubre

Esta garantía no incluye el servicio de reparación, ajuste ni calibración debido al mal uso, abuso o negligencia o las luces LED. Los servicios no autorizados o las modificaciones del producto o de cualquier componente invalidarán esta garantía en su totalidad. Esta garantía no incluye reembolso por inconveniencia, instalación, tiempo de instalación, pérdida de uso, servicio no autorizado, ni gastos de envío de devolución. Esta garantía no se extiende a otros equipos o componentes que el consumidor use junto con este producto.

# ADVERTENCIA

## LEA Y CONSERVE ESTAS INSTRUCCIONES



La mayoría de los accidentes eléctricos se deben a negligencia o ignorancia. Si a unos conocimientos básicos de electricidad se le añade un respeto sano y una dosis de sentido común, podrá realizar muchas reparaciones eléctricas del hogar de manera segura. Veamos algunas pautas básicas para los trabajos eléctricos:

Antes de trabajar en un circuito, vaya al tablero principal y quite el fusible o desconecte el disyuntor de ese circuito. Escriba una advertencia en un trozo de cinta adhesiva para indicar a las demás personas que no toquen ese circuito mientras usted trabaja en él, y péguela en el tablero.

Antes de tocar cualquier cable, utilice un voltímetro para comprobar que no tenga corriente.

Cuando verifique el voltaje en una toma de corriente, compruebe los dos enchufes hembras, ya que cada uno podría estar controlado por un circuito distinto.

Para sustituir los fusibles, primero apague el interruptor principal. Compruebe que sus manos y pies estén secos y ponga una mano detrás de la espalda para evitar que la electricidad recorra un circuito completo a través del pecho. Toque un fusible de toma de corriente únicamente por el borde aislado. Retire los fusibles de cartucho con un sacafusibles.

Utilice herramientas con mangos aislados y escaleras de madera o fibra de vidrio.

Disponga de extintores de fuego a base de polvo químico seco en la cocina, el sótano y el taller.

No desactive nunca los dispositivos de conexión a tierra. Compruebe que todos los aparatos domésticos que requieran conexión a tierra estén debidamente conectados y que el sistema eléctrico también lo esté.

Cumpla con todas las exigencias de los códigos eléctricos que se aplican al trabajo que esté realizando.

Trabaje siempre con buenas condiciones de luz para poder ver lo que hace; es fácil cometer errores cuando se trabaja con poca luz tenue.

Consulte con un electricista profesional en caso de duda.

### Exposición a radiofrecuencia

El equipo cumple con los límites de exposición a la radiación previstos por la Comisión Federal de Comunicaciones (Federal Communications Commission, FCC) para un entorno no controlado. Este dispositivo se debe instalar y operar a una distancia mínima de 20 cm entre el emisor y su cuerpo.

Este aparato cumple con la Parte 15 de las Normas de la FCC. La operación está sujeta a las dos siguientes condiciones: (1) este aparato no puede causar interferencias perjudiciales y (2) este aparato debe aceptar cualquier interferencia recibida, incluyendo una interferencia que pueda causar un funcionamiento indeseado.

Los cambios o modificaciones hechos a esta unidad que no estén expresamente aprobados por la parte responsable del cumplimiento pueden anular la autoridad del usuario para operar el equipo.

Nota: Este equipo ha sido probado y se determinó que cumple con los límites para un dispositivo digital de Clase B, de acuerdo con la parte 15 de las Normas de la FCC. Estos límites están diseñados para proporcionar una protección razonable contra interferencias dañinas en una instalación residencial. Este equipo genera, usa y puede irradiar energía de radiofrecuencia y si no se lo instala y usa de acuerdo con las instrucciones, puede causar interferencia dañina a las radiocomunicaciones. Sin embargo, no hay garantía de que la interferencia no ocurra en una instalación en particular. Si este equipo causa interferencia dañina a la recepción de radio o televisión, lo que se puede determinar apagando y encendiendo el equipo, se recomienda que el usuario intente corregir la interferencia mediante una o más de las siguientes medidas:

- Reoriente o reubique la antena receptora.
- Aumente la separación entre el equipo y el receptor.
- Conecte el equipo a un tomacorriente en un circuito diferente al que está conectado el receptor.
- Para recibir ayuda consulte con el distribuidor o con un técnico experto en radio / TV.

Parte responsable de la CFC: Globe Electric

Dirección: 2264 East 6th Street, San Bernardino, CA 92410, EE. UU.

[www.globe-electric.com](http://www.globe-electric.com)

CAN ICES-005 (B)/NMB-005 (B)

CAN ICES-003 (B)/NMB-003(B)

Este dispositivo contiene transmisores/receptores exentos de licencia que cumplen con las especificaciones de estándares de radio (Radio Standards Specifications, RSS) de exención de licencia de Canadá del Departamento de Desarrollo de Innovación, Ciencia y Economía (Innovation, Science and Economic Development, ISED). El funcionamiento está sujeto a las siguientes dos condiciones:

(1) Este dispositivo no puede causar interferencias. (2) Este dispositivo debe admitir cualquier interferencia, incluso aquellas que pudieran afectar su funcionamiento.

El dispositivo ha sido evaluado para cumplir los requisitos generales de exposición a radiofrecuencia (RF).

La distancia entre el usuario y los productos no debe ser inferior a 20 cm.

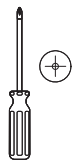
**ADVERTENCIA:** Para reducir el riesgo de incendio o de descarga eléctrica, no use este ventilador con un dispositivo de control de velocidad de estado sólido.

**ADVERTENCIA:** Para reducir el riesgo de lesiones físicas, no curve los soportes de las paletas cuando los instale, balancee las paletas o limpie el ventilador. No inserte objetos extraños entre las paletas en movimiento.

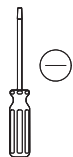
**ADVERTENCIA:** Para reducir el riesgo de incendio, descarga eléctrica o lesiones físicas, instale en una caja de distribución con la indicación "Apta para soporte de ventilador de 15.9/22.7/31.8 kg (35/50/70 lb) o menos" y utilice los tornillos de montaje provistos con la caja.

**PRECAUCIÓN:** Para reducir el riesgo de descarga eléctrica, desconecte el circuito que alimenta el ventilador antes de instalar el kit de iluminación.

## HERRAMIENTAS REQUERIDAS



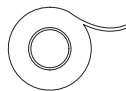
Destornillador Phillips



Destornillador de punta plana



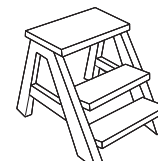
Llave ajustable



Cinta aisladora



Alicate para cables



Escalera de mano

Nota: No utilice herramientas eléctricas para la instalación, ya que podría dañar los tornillos o las piezas.

## CARACTERÍSTICAS

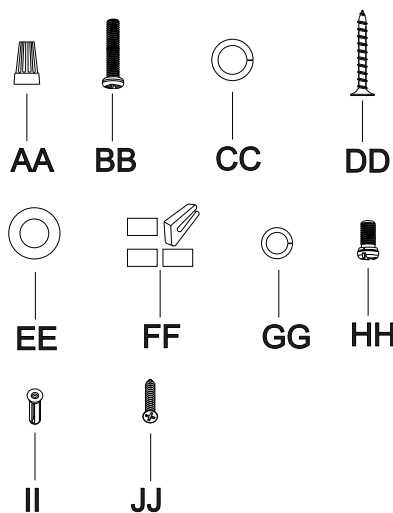
- Control remoto
- Aplicación Inteligente
  - Control por aplicación y voz
  - Emparejar con asistencia virtual
  - RGB | Más de 16 millones de colores
  - Blanco regulable | 2000 K - 5000 K
  - Horarios y temporizadores
- Funcionamiento silencioso WhisperQuiet™

## ESPECIFICACIONES

- Motor DC
  - Eficiencia energética 25 vatios
  - Motor reversible
  - 6 Velocidades
  - 5000 CFM, 175 RPM
  - Luz LED integrada
  - 800 lúmenes, 80 CRI
  - 30,000 horas
  - 48" de diámetro (completamente montado)
  - Peso neto: 12,8 lb / 5,8 kg

| Modelo | mín. Grosor de los fillos de las palas (in/mm) | Longitud de la pala (in/cm) | RPM | Velocidad en punta de las palas (ft/s, m/s) |
|--------|--|-----------------------------|-----|---|
| 27105  | 0.126"(3.2mm)                                  | 24.01"(61cm)                | 175 | 39.64ft/s (11.17m/s)                        |

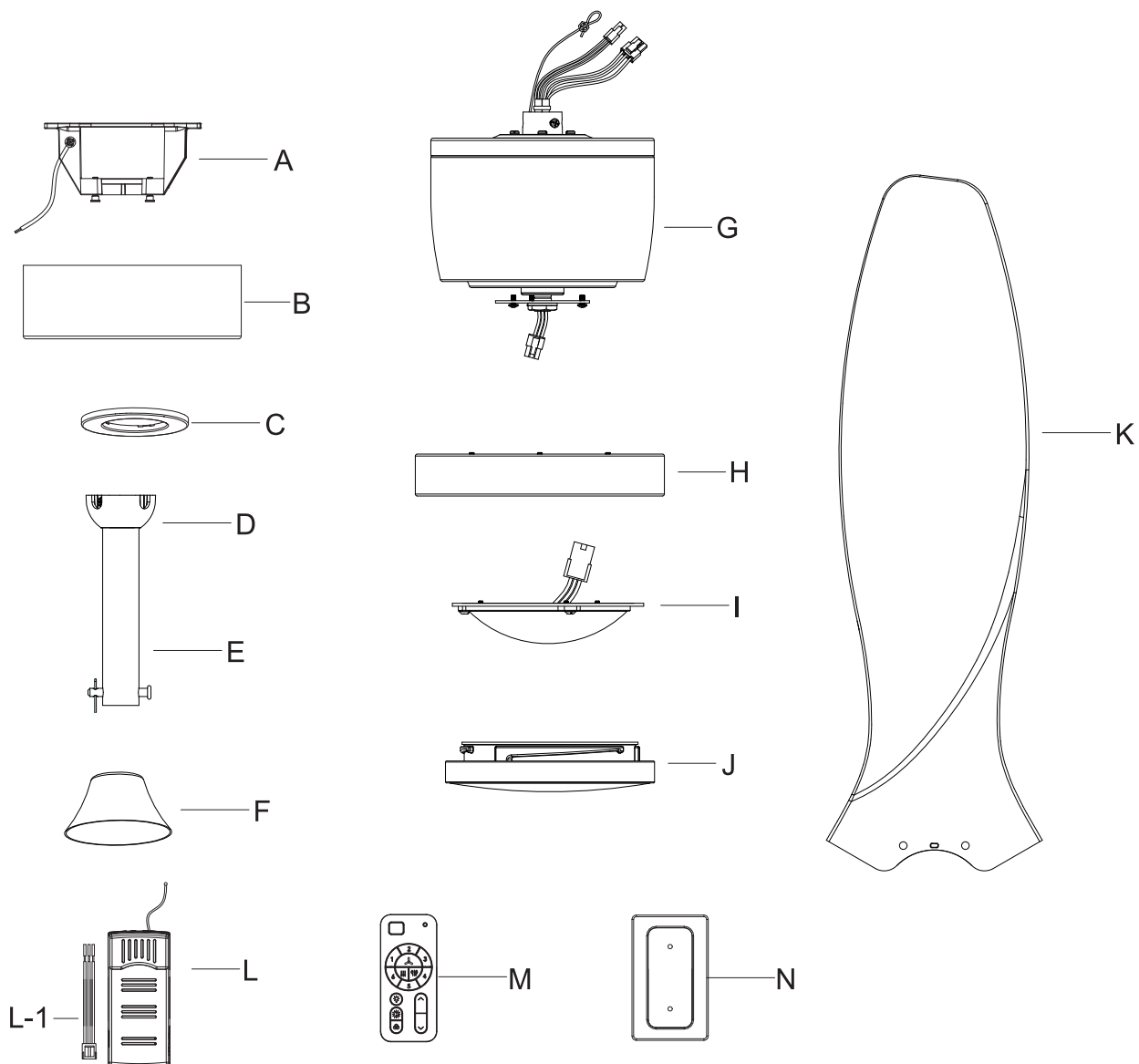
## MATERIALES INCLUIDOS



| Pieza | Descripción  | Cantidad |
|-------|--|----------|
| AA    | Conector de empalme (P4)   | 3        |
| BB    | Tornillos de montaje adicionales para la caja de distribución (M4*25)                            | 2        |
| CC    | Arandela 2 - D5  | 3        |
| DD    | Tornillo 3 (ST4.8*35)  | 1        |
| EE    | Arandela 1 - D15   | 5        |
| FF    | Kit de balanceo  | 1        |
| GG    | Arandela 3 - D4 (arandelas adicionales para los tornillos de montaje de la caja de distribución) | 2        |
| HH    | Tornillos y arandelas para paleta  | 7        |
| II    | Tacos para atornillar la placa posterior del control remoto                                      | 2        |
| JJ    | Tornillos de la placa posterior del control remoto   | 2        |

## CONTENIDO DEL PAQUETE

Nota: Retire todo el contenido de la caja antes de comenzar la instalación.



| Pieza | Descripción                            | Cantidad |
|-------|--|----------|
| A     | Soporte de montaje                     | 1        |
| B     | Campana                                | 1        |
| C     | Aro de la cubierta de la campana       | 1        |
| D     | Semiesfera (premontada con el vástago) | 1        |
| E     | Vástago                                | 1        |
| F     | Tapa decorativa del montaje del motor  | 1        |
| G     | Caja del motor del ventilador          | 1        |
| H     | Placa de luz                           | 1        |

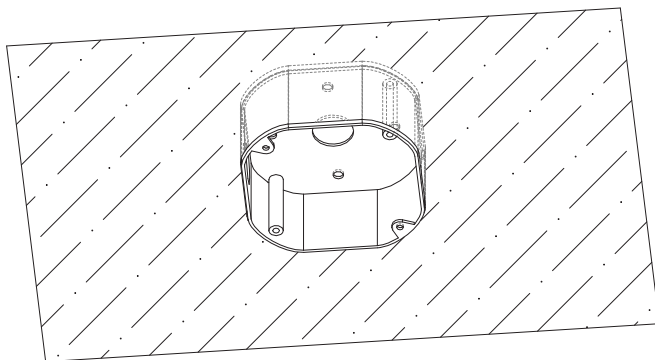
| Pieza | Descripción                 | Cantidad |
|-------|-----------------------------|----------|
| I     | Módulo LED                  | 1        |
| J     | Plafón                      | 1        |
| K     | Paleta                      | 3        |
| L     | Receptor de control remoto  | 1        |
| M     | Control remoto              | 1        |
| N     | Soporte para control remoto | 1        |

## Caja de distribución:

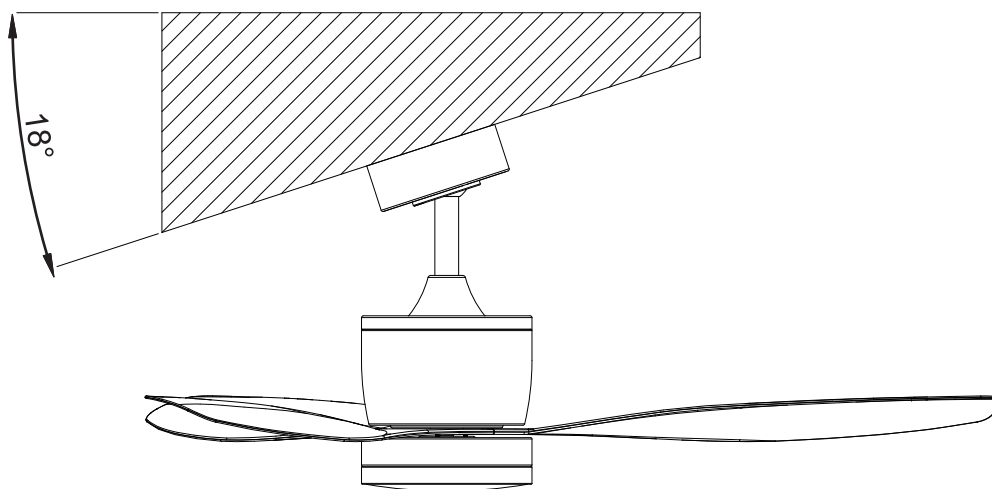
El ventilador se debe asegurar a una caja indicada para tal fin. Si no la tiene una, tuviera, comuníquese con un electricista calificado para que realice la instalación.



**ADVERTENCIA:** PARA REDUCIR EL RIESGO DE INCENDIO, DESCARGA ELÉCTRICA O LESIONES FÍSICAS, INSTALE EN UNA CAJA DE DISTRIBUCIÓN CON LA INDICACIÓN "APTA PARA SOPORTE DE VENTILADOR DE 15,9/22,7/31,8 KG (35/50/70 LB) O MENOS" Y UTILICE LOS TORNILLOS DE MONTAJE PROVISTOS CON LA CAJA. CONSULTE CON UN ELECTRICISTA PROFESIONAL EN CASO DE DUDA.

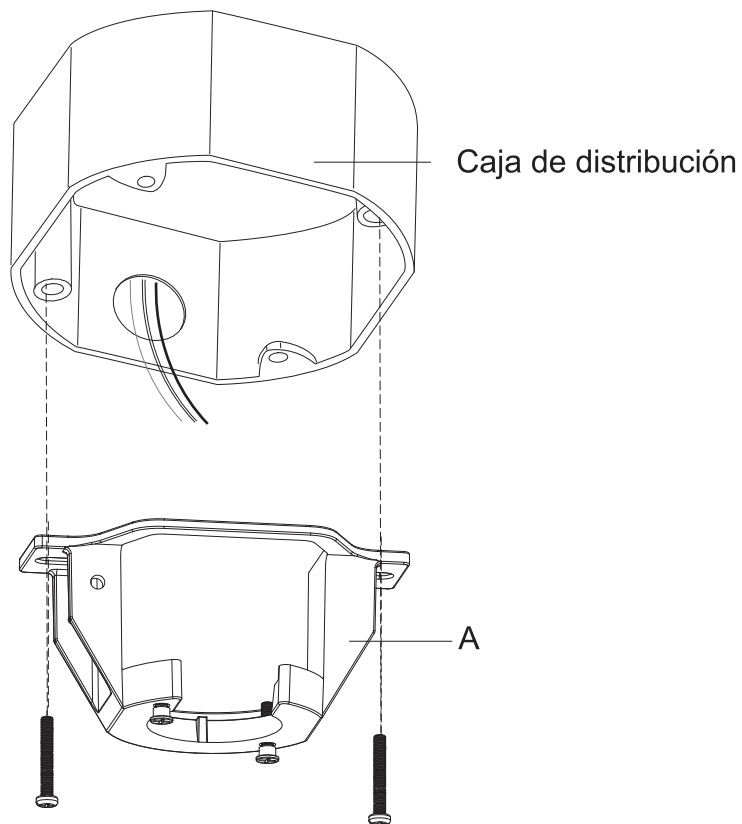


**NOTA:** El ventilador puede montarse en un techo inclinado hasta un ángulo máximo de 18 grados.



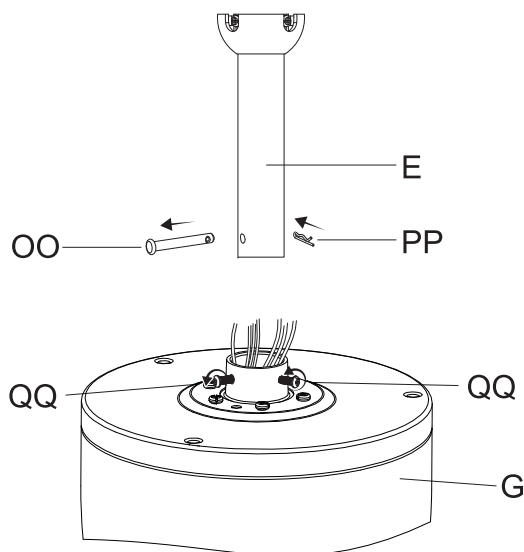
## Fijar el soporte de montaje a la caja de distribución

Asegure el soporte de montaje (A) a la caja de distribución del techo con los tornillos y las arandelas provistas con la caja.

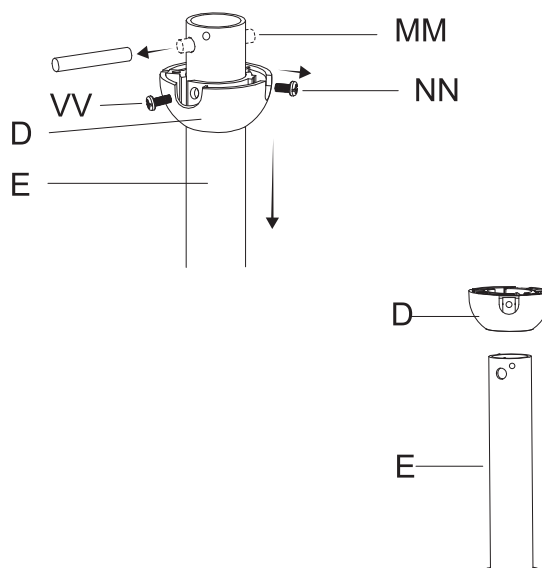


## 2. Conectar el vástago en la caja del motor del ventilador

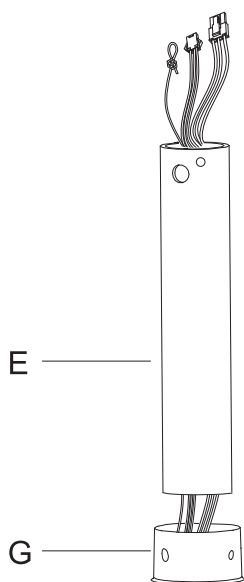
- 2.1 Afloje los dos tornillos (QQ) en la caja del motor del ventilador (G), quite el pasador de fijación (PP) y el pasador superior (OO) en del vástago (E).



- 2.2 Para extraer la semiesfera (D) del vástago (E), retire los tornillos (NN) y (VV), quite el pasador transversal (MM), luego deslícela para retirarla del vástago (E).

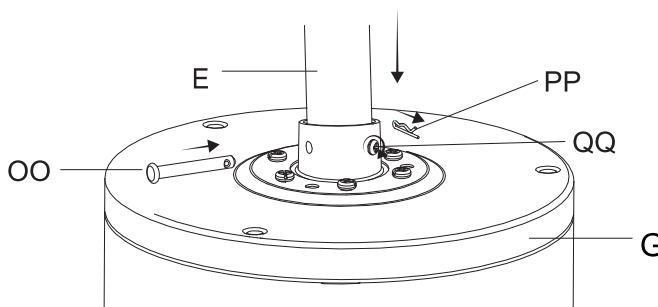


- 2.3 Pase los cables de montaje del motor a través del vástago (E).



- 2.4 Inserte el vástago (E) en la caja del motor del ventilador (G). Alinee los orificios y vuelva a colocar el pasador superior (OO) y el pasador de fijación (PP). Ajuste los tornillos (QQ).

Nota: Si siente resistencia mientras empuja el pasador superior, aparte los cables.



**PRECAUCIÓN:** PARA EVITAR DAÑOS Y GARANTIZAR UN FUNCIONAMIENTO SIN OSCILACIONES, SE DEBEN AJUSTAR POR COMPLETO LOS TORNILLOS DEL VÁSTAGO Y DE LA CAJA DEL MOTOR HASTA QUE SIENTA RESISTENCIA.

**ADVERTENCIA:** SI NO SE INSTALA CORRECTAMENTE EL PASADOR DE FIJACIÓN, SE PODRÍA AFLOJAR EL VENTILADOR Y LLEGAR A CAERSE.

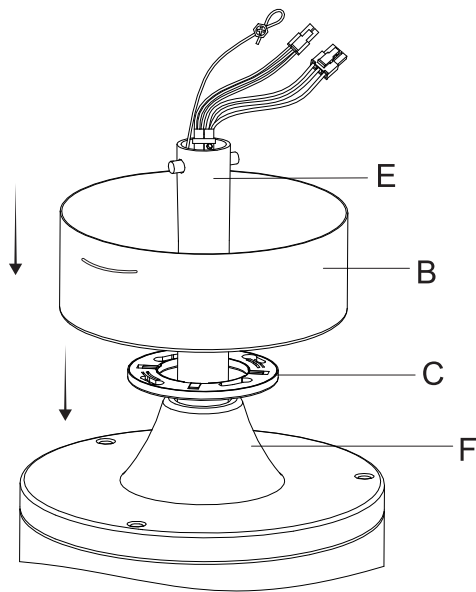


## 3. Fijar las campanas al vástago

- 3.1 Deslice la tapa decorativa del montaje del motor (F).

A continuación, deslice el aro de la cubierta de la campana (C) y el campana (B), ambos mirando hacia arriba, sobre la varilla de vástago.

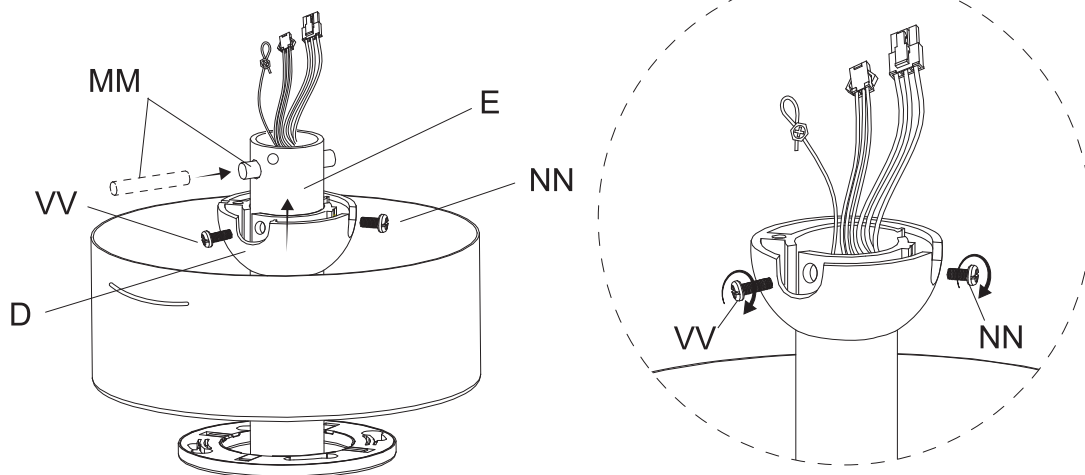
Nota: Las dos pequeñas aberturas en la campana (B) son para facilitar la recepción Wi-Fi.



- 3.2 Para volver a colocar la semiesfera (D), deslice por el vástago (E) y vuelva a insertar el pasador transversal (MM) en el orificio grande. Deslice la semiesfera (D) hacia arriba de manera que el pasador (MM) calce en la ranura, asegurándose de que los orificios queden alineados correctamente (el tornillo más grande (VV) debe alinearse con el orificio en el vástago (E)) y enrosque ambos tornillos (NN) y (VV).

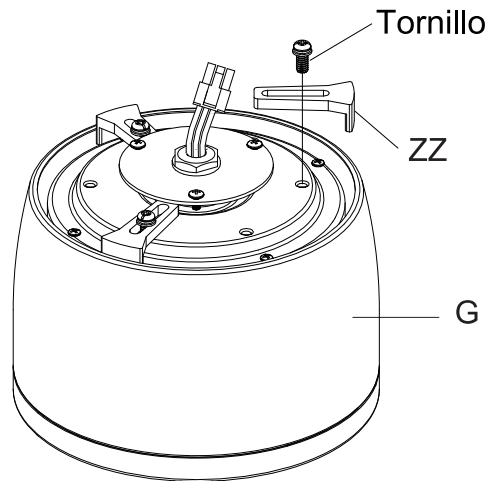
Nota: Asegúrese de que los cables no queden retorcidos.

**⚠ PRECAUCIÓN: SI QUEDA ALGÚN TORNILLO FLOJO, EL VENTILADOR PUEDE OSCILAR.**



## 4. Instalar las paletas

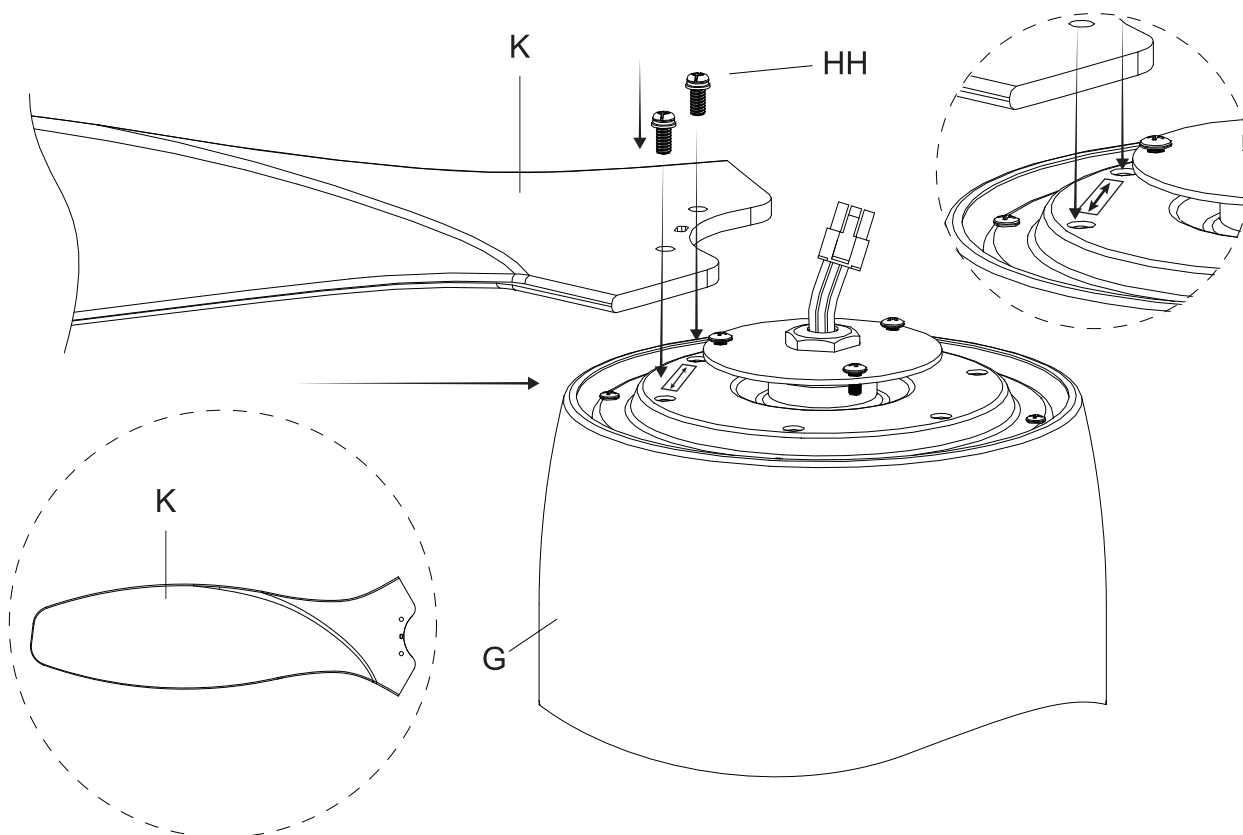
- 4.1 Desenrosque y retire completamente los protectores de plástico (ZZ) de la caja del motor del ventilador (G) y deséchelos.



- 4.2 Alinee la paleta (K) con la caja del motor (G) entre las dos flechas, como se muestra y fije con los tornillos respectivos del sobre "HH". Repita para cada una de las tres paletas.

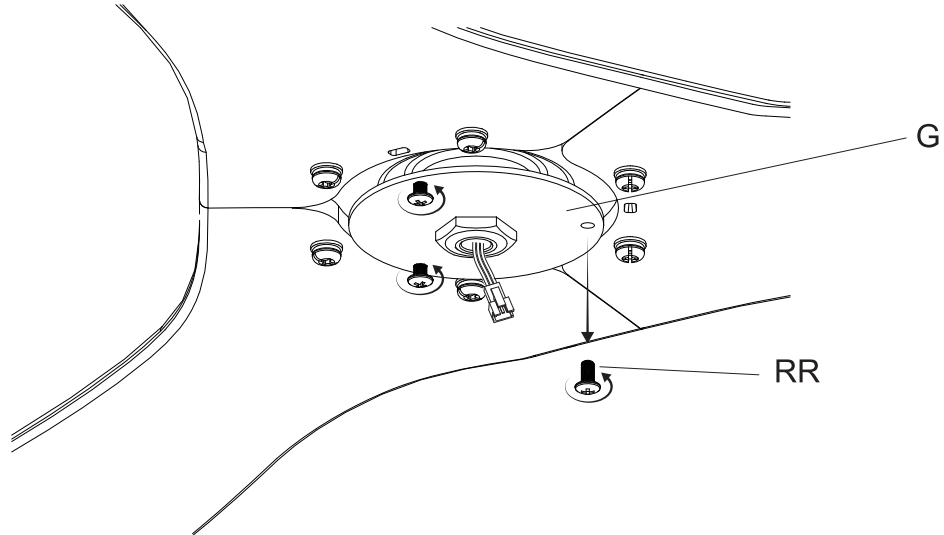
Para simplificar la instalación, se sugiere dar la vuelta a la caja del motor cuando se instalen las aspas. Para evitar posibles daños, utilice el inserto de la caja para estabilizar el ventilador.

**⚠ PRECAUCIÓN: SI QUEDA ALGÚN TORNILLO FLOJO, EL VENTILADOR PUEDE OSCILAR.**

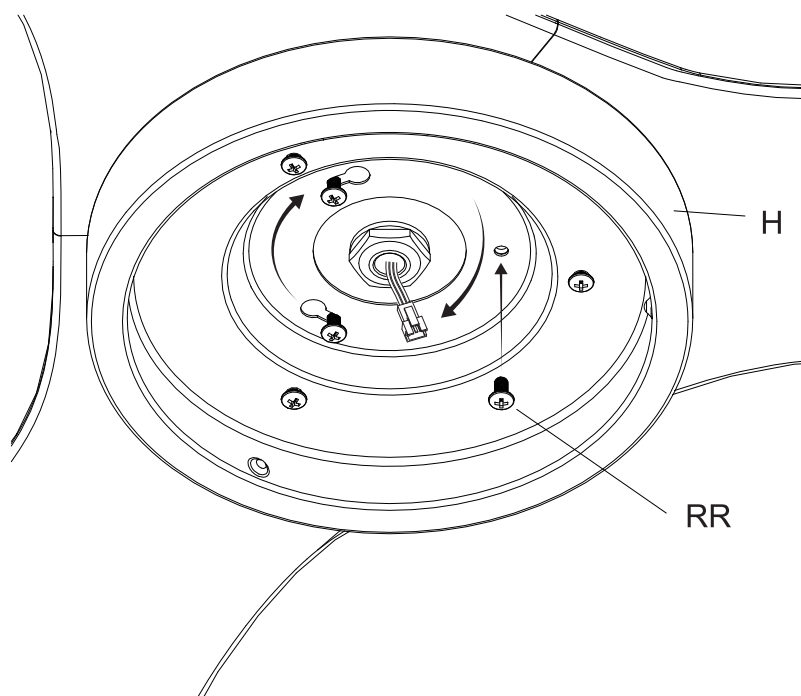


## 5. Colocar la placa de luz

- 5.1 Afloje dos tornillos cualquiera de los tres preinstalados (RR) y extraiga completamente el tercero de la caja del motor del ventilador (G).

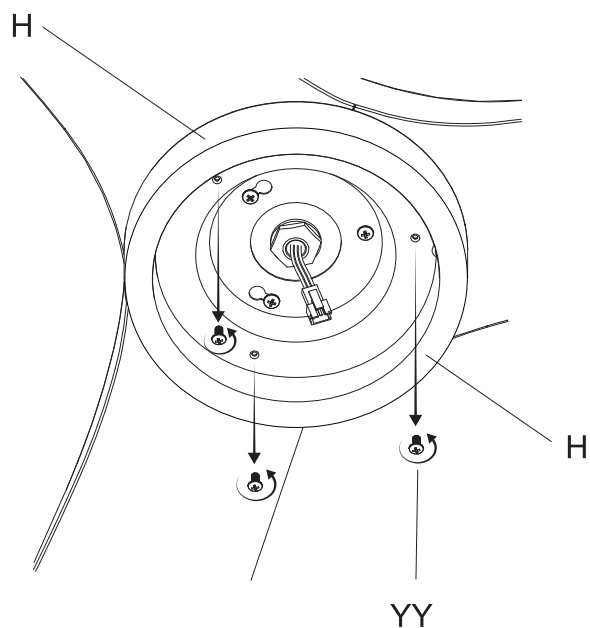


- 5.2 Para colocar la placa de luz (H), alinee los dos orificios con los dos tornillos (RR), y gire hasta que queden bien ajustados. Vuelva a insertar el tercer tornillo (RR) y ajústelos.

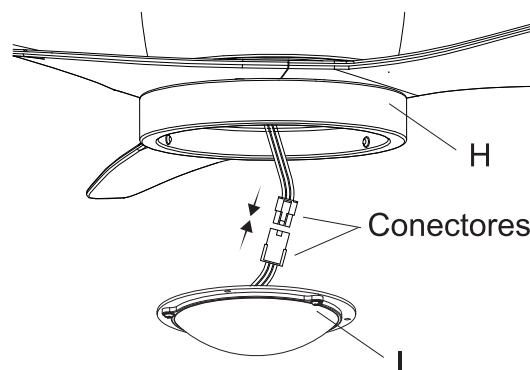


## 6. Instalar el módulo de luz LED

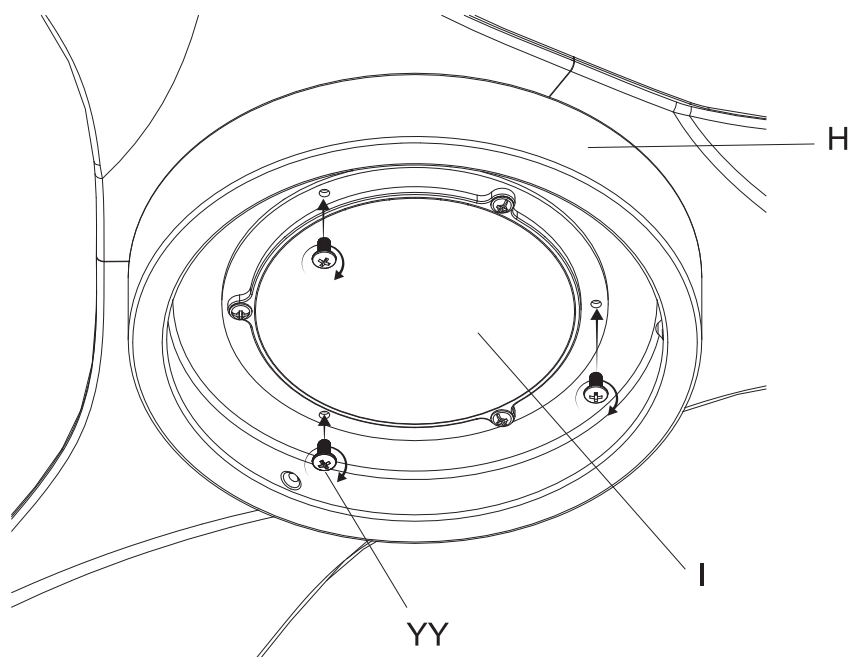
- 6.1 Quite los tres tornillos preinstalados (YY) de la placa (H).



- 6.2 Conecte los cables del módulo LED (I) a los cables en la placa (H).



- 6.3 Alinee los orificios de los tornillos del módulo LED (I) con la placa (H) y atornille los tres tornillos (YY) hasta que queden ajustados.

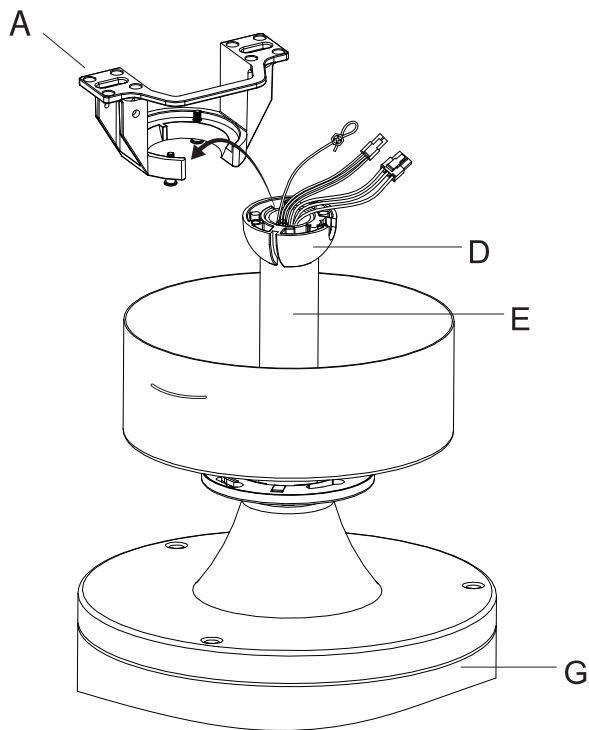


## 7. Colgar el ventilador en el soporte

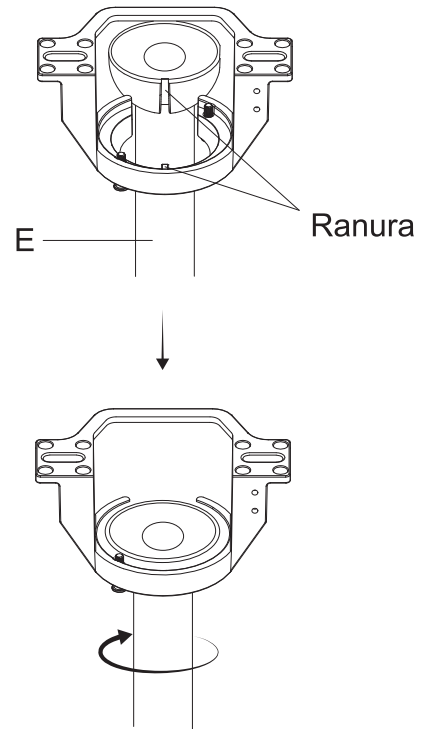
- 7.1 Levante la caja del motor ensamblada y colóquela en el soporte, inserte la semiesfera (D) en la abertura (A).



**PRECAUCIÓN:** PARA EVITAR DAÑOS EN EL VENTILADOR, SIEMPRE DEBE LEVANTARLO POR EL VÁSTAGO O LA CAJA DEL MOTOR.

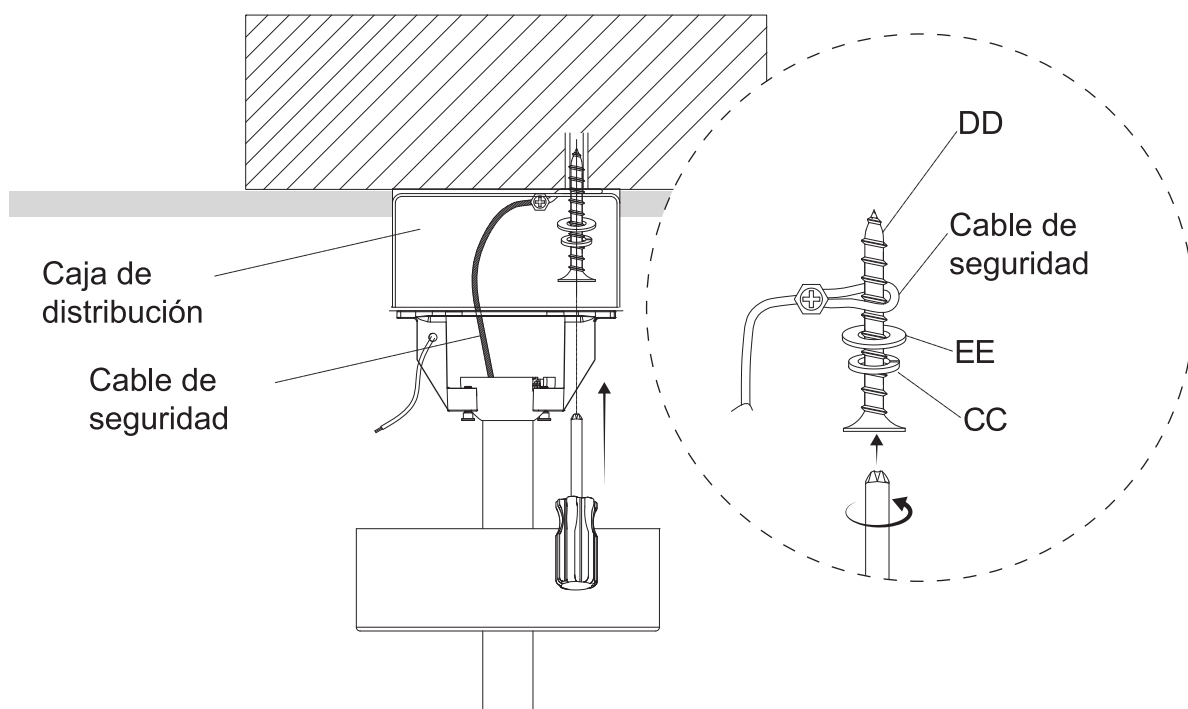


- 7.2 Gire el motor hacia la derecha hasta que la ranura de la semiesfera calce en la ranura del soporte y quede firme. El vástago (E) no debe girar si se instaló correctamente.



## 8. Montar el cable de seguridad en la caja de distribución

Coloque la arandela (CC), la arandela (EE) y el cable de seguridad en el tornillo (DD) del sobre "BB" como se muestra en la imagen insertada, y ajuste el tornillo en la vigueta del techo.



## 9. Conexión eléctrica del ventilador

- 9.1 Quite el receptor (L) y los cables (L-1) de la bolsa de plástico y reserve.

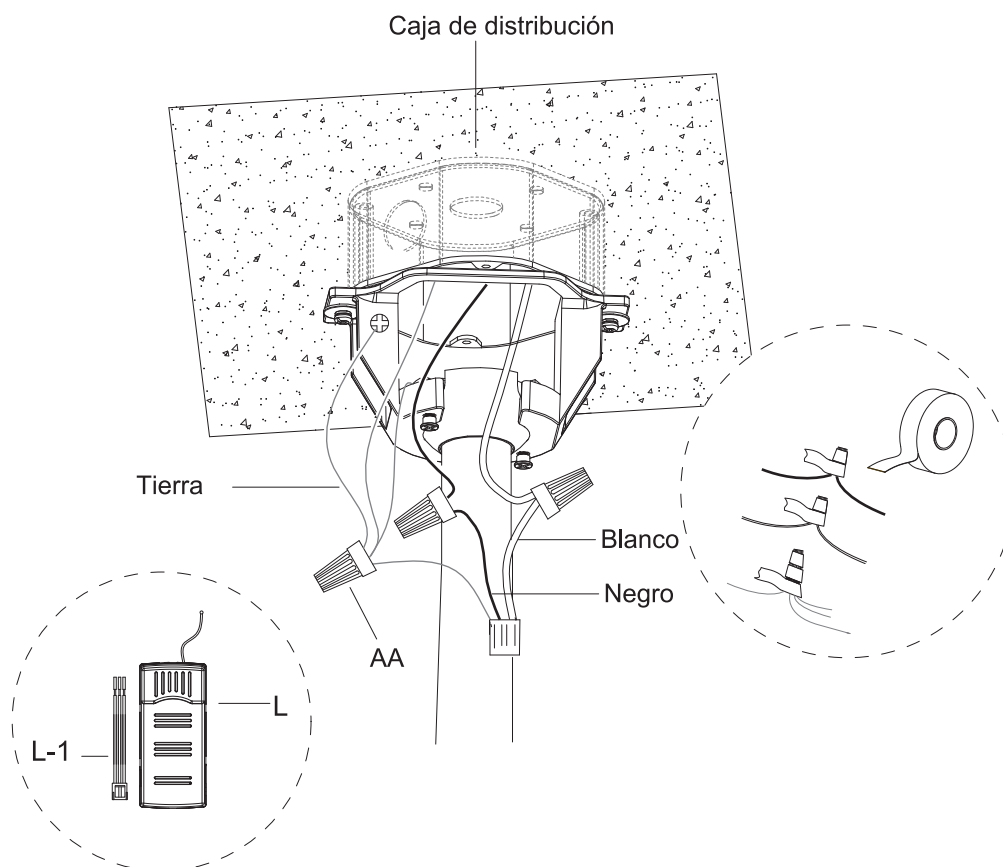
Conecte los cables (L-1) a los cables del techo de la siguiente manera:

Conecte el cable vivo (negro) del techo al cable negro de los cables (L-1) con el conector de empalme (AA).

Conecte el cable neutro (blanco) del techo al cable blanco de los cables (L-1) con el conector de empalme (AA).

Conecte todos los cables de tierra del ventilador de techo al cable a tierra del techo como se muestra a continuación. Si su techo no tiene un cable a tierra, consulte a un electricista cualificado.

Nota: Asegure todos los cables con un conector de empalme (AA) provisto y encinte las conexiones para aislarlas.



**ADVERTENCIA:** TODA LA CONEXIÓN ELÉCTRICA SE DEBE REALIZAR EN CONFORMIDAD CON EL CÓDIGO ELÉCTRICO NACIONAL, ANSI/NFPA 70. SI LOS CABLES SON DE OTRO COLOR, QUE NO CORRESPONDE CON LO QUE SE DESCRIBE AQUÍ, ENCARGUE LA INSTALACIÓN A UN ELECTRICISTA CALIFICADO.

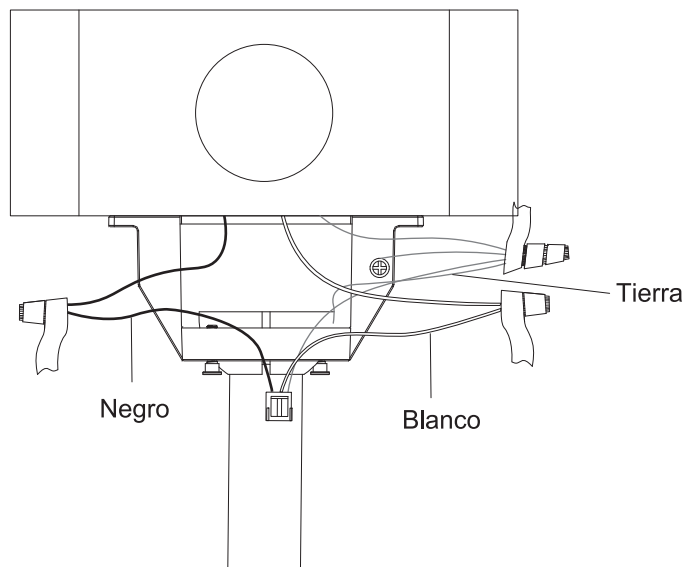
**ADVERTENCIA:** EL VENTILADOR DE TECHO SE DEBE CONECTAR A TIERRA. SI EN EL LUGAR DE INSTALACIÓN NO HAY CABLE A TIERRA (POR EJEMPLO, DEL TECHO), DETENGA LA CONEXIÓN DE INMEDIATO Y CONSULTE CON UN ELECTRICISTA CALIFICADO.



**PRECAUCIÓN:** PARA REDUCIR EL RIESGO DE DESCARGA ELÉCTRICA, DESCONECTE EL CIRCUITO QUE ALIMENTA EL VENTILADOR ANTES DE REALIZAR LA CONEXIÓN ELÉCTRICA Y, SI CONSIDERA QUE NO CUENTA CON LOS CONOCIMIENTOS O LA EXPERIENCIA SUFICIENTE EN ELECTRICIDAD, COMUNÍQUESE CON UN ELECTRICISTA CALIFICADO. **PRECAUCIÓN:** NO INSTALE EN UN LUGAR HÚMEDO NI MOJADO, ESTE VENTILADOR ES SOLO PARA USAR EN INTERIORES.

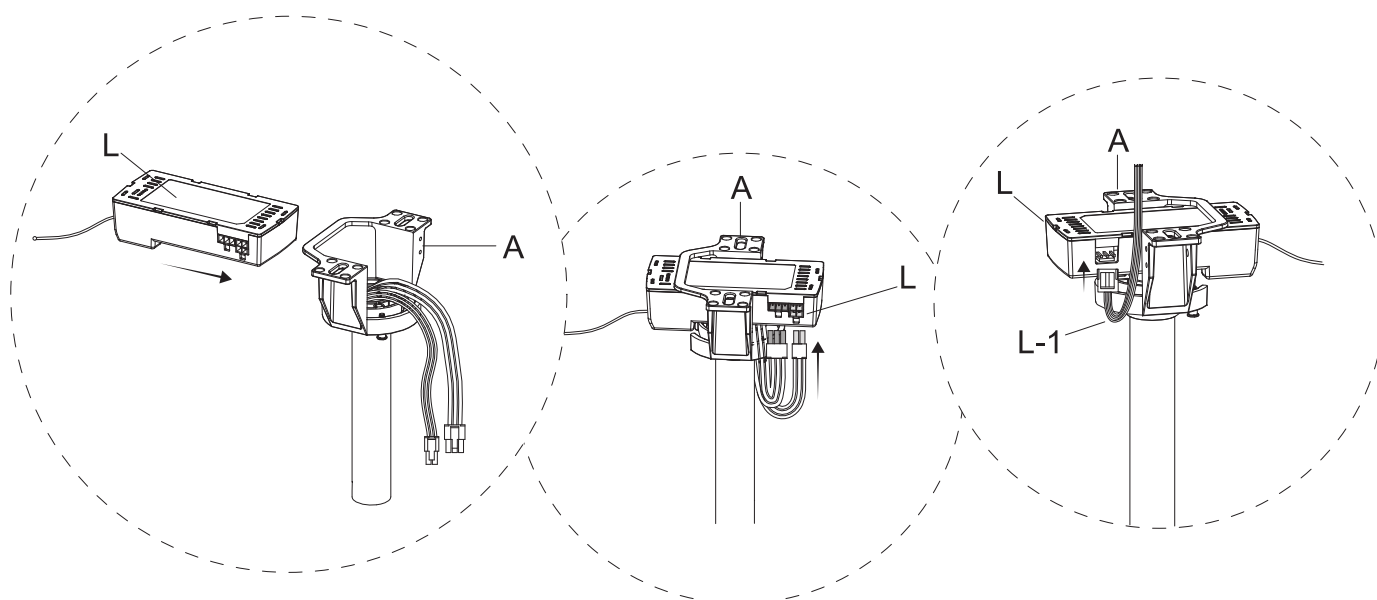
## INSTALACIÓN

- 9.2 Después de conectar los cables, sepárelos de modo que los cables a tierra queden de un lado de la caja y los negros de la otra. Pliegue con cuidado las conexiones de los cables dentro de la caja.



- 9.3 Inserte el receptor (L), como se muestra, en el soporte de montaje (A) con la parte plana mirando hacia el techo.

Después de colocar el receptor (L) en el soporte (A), enchufe los conectores de cuatro y tres clavijas, y conecte los cables (L-1) en el receptor.

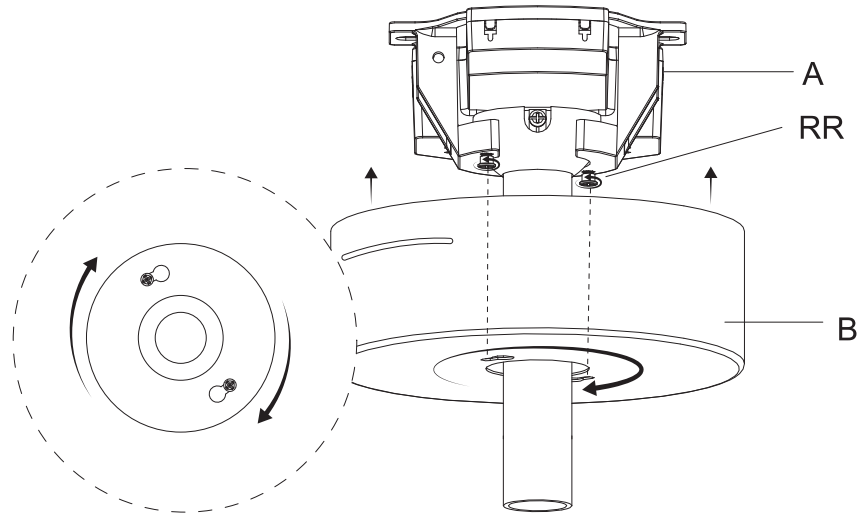




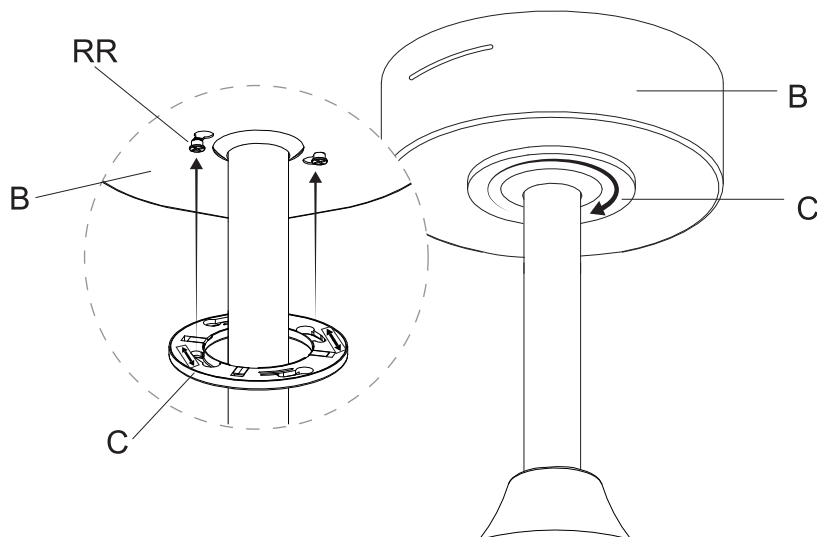
## 10. Colocar las campanas

- 10.1 Afloje los dos tornillos (RR) del soporte de montaje (A) y, para colocar la campana (B) en el soporte (A), alinee los tornillos con los orificios y gire, luego ajuste los tornillos (RR).

Nota: Compruebe que la antena amarilla del receptor quede plegada dentro de la campana.

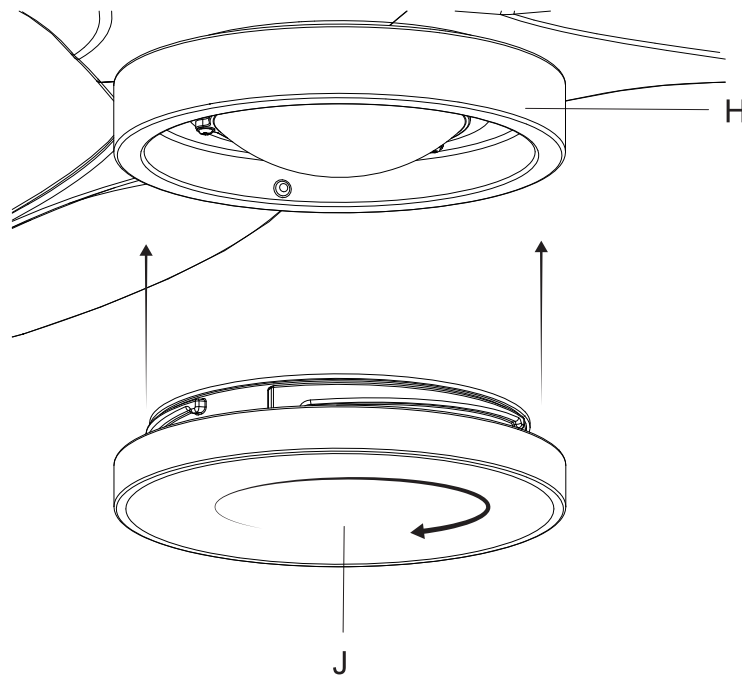


- 10.2 Alinee el aro de la campana (C) con la campana (B) y empuje el aro (C) hasta que las cabezas de los tornillos del soporte de montaje (RR) calcen en las ranuras con las flechas (C) y gire el aro (C) hacia la derecha hasta que quede firme.

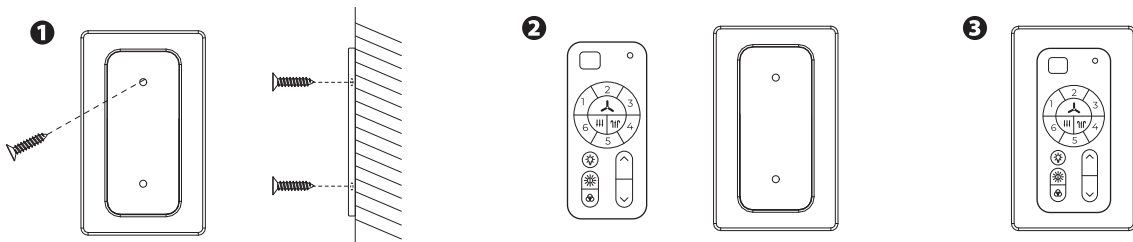
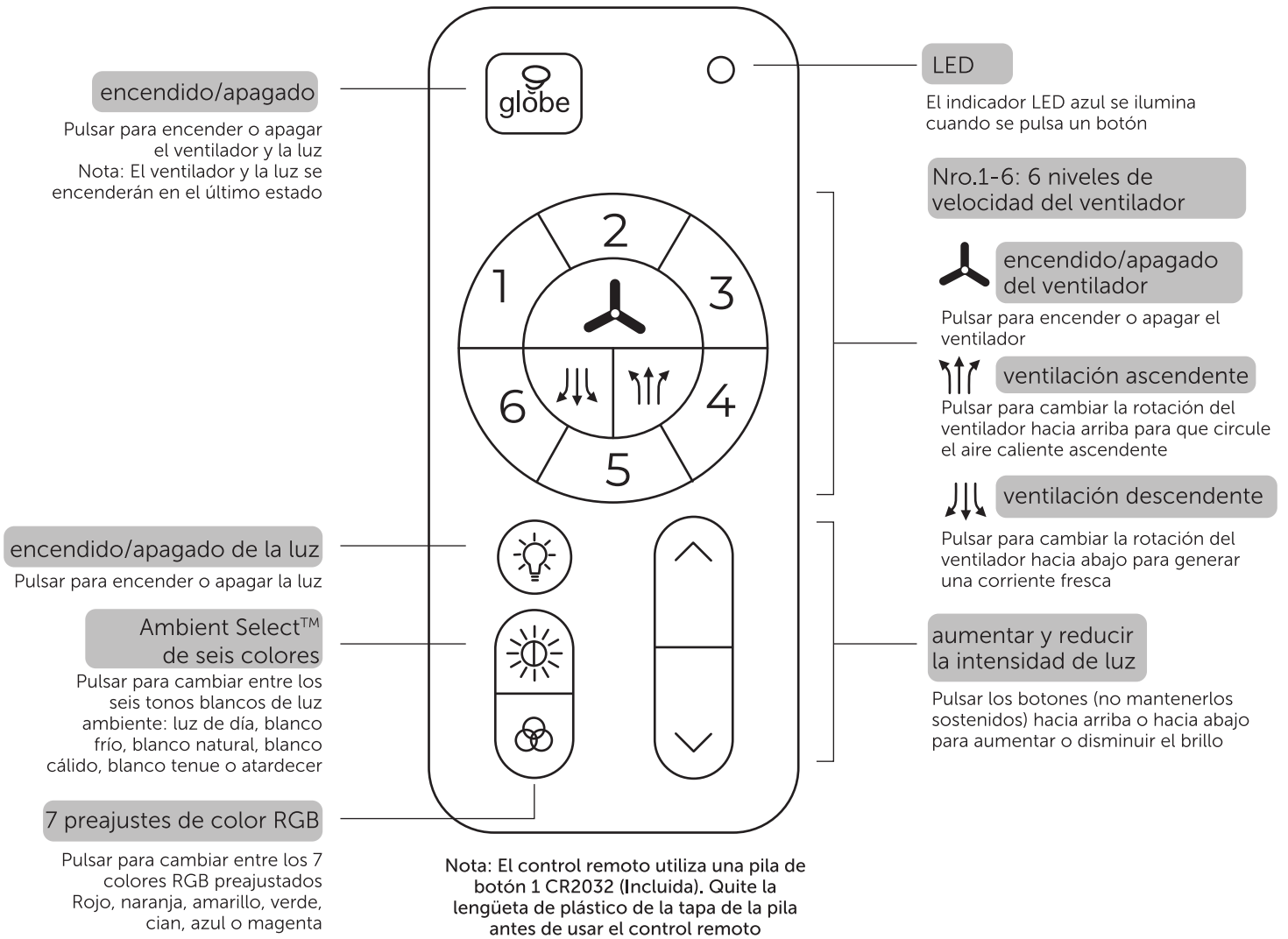


## 11. Colocar el plafón

Para colocar el plafón (J) en la placa (H), gire hacia la derecha hasta que quede firme.



# FUNCIONAMIENTO DEL VENTILADOR Y DEL CONTROL REMOTO



Utilice los accesorios que se encuentran en la bolsa para montar la placa magnética en el lugar preferido.

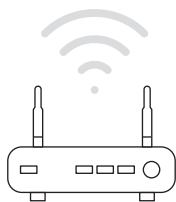


## 1

### Cómo descargar la aplicación de Globe Suite™

Asegúrese de que su dispositivo móvil tenga la versión **iOS 9.0/watchOS 2.0/Android™ 4.4 o posterior**.

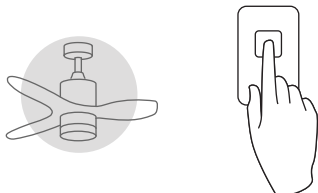
- Descargue la aplicación **Globe Suite™** de la tienda iOS o Android.
- Use su correo electrónico para crear una cuenta e iniciar sesión.



## 2

### Verifica tu red

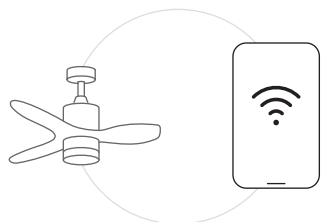
- Verifique su red y asegúrese de que su dispositivo móvil esté conectado a un canal Wi-Fi de 2,4 GHz.
- Consulte la documentación de su enrutador para obtener instrucciones detalladas sobre cómo cambiar la configuración inalámbrica.
- Una vez que sus dispositivos se hayan emparejado correctamente, puede volver al modo mixto o utilizar una red de datos móviles para controlar sus productos inteligentes.



## 3

### Cómo configurar su ventilador de techo inteligente en modo de emparejamiento

- Asegúrese de que el ventilador de techo inteligente esté encendido.
- La luz del ventilador de techo inteligente debería **parpadear rápidamente**.
- Si no parpadea rápidamente, gire el interruptor de encendido/apagado cinco veces rápidamente en 1 minuto para que empiece a parpadear rápidamente. Si no es así, repita el proceso.

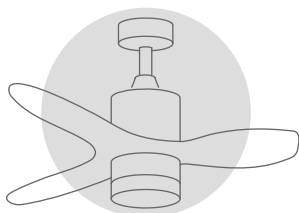


## 4

### Conecte la aplicación de Globe Suite™

En su dispositivo móvil, asegúrese de que todos los permisos que se soliciten estén activados: **servicios de wifi, bluetooth, localización**.

- Seleccione el ícono "+" en la parte superior derecha de la pantalla de inicio de la aplicación Globe Suite™.
- Si la luz parpadea rápidamente, el modo de escaneo detectará el ventilador de techo inteligente en pocos segundos. Cuando lo detecte, seleccione "Agregar" al lado del ícono del ventilador inteligente.
- Ingrese sus credenciales de wifi de forma correcta y siga las instrucciones dentro de la aplicación.  
Si la conexión falla, pruebe seleccionar "Manual", seleccione el tipo de producto y siga las instrucciones de la aplicación.



## 5

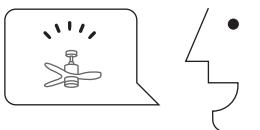
### ¡Su ventilador de techo inteligente está lista!

- Nombre su dispositivo y elija en qué habitación lo va a colocar.

Ahora puede controlar el ventilador de techo inteligente directamente desde la aplicación Globe Suite™.

¿Necesita más ayuda? Seleccione el enlace "modo de emparejamiento" en la página "Agregar dispositivo" o el enlace "Ver ayuda" si no se encuentra ningún dispositivo y siga las instrucciones en la aplicación o mire el video.

O consulte el código QR en la primera página de este manual de instrucciones para ver un breve video de instrucciones.



## 6

### Cómo configurar el asistente de voz

- En la pantalla de inicio, seleccione "Profile" y elija "Integration". Elija un asistente de voz y siga las instrucciones de la aplicación.
- Cómo crear accesos directos de Siri (para iOS)
  - En la pantalla de inicio, seleccione "Smart Scenes". Luego, seleccione el ícono "+" para agregar una escena de activación (Trigger Scene).
  - Una vez que haya completado este paso, seleccione "Add to Siri" y añada la frase a los accesos directos de Siri.

\*Tenga en cuenta que debe decir la frase exacta para ejecutarla escena de activación con Siri.



| Quando desee...                             | Alexa...   |
|---|--|
| <b>Encender/apagar solo el ventilador.</b>  | ... encender/apagar <nombre del dispositivo>.  |
| <b>Encender/apagar solo la luz.</b>         | ... encender/apagar la luz del <nombre del dispositivo>.   |
| <b>Cambiar el brillo.</b>                   | ... configurar la luz del <nombre del dispositivo> en 50 %.<br>... configurar el brillo del <nombre del dispositivo> en 20 %.<br>... aumentar la intensidad del <nombre del dispositivo>.<br>... bajar la intensidad del <nombre del dispositivo>.   |
| <b>Cambiar la temperatura de color.</b>     | ... aumentar la calidez del <nombre del dispositivo>.<br>... configurar el <nombre del dispositivo> en un tono más frío.<br>... configurar el <nombre del dispositivo> en un tono más tenue.<br>... aumentar el tono blanco del <nombre del dispositivo>.<br>... configurar la luz del <nombre del dispositivo> en blanco cálido.<br>... configurar el <nombre del dispositivo> en luz de día. |
| <b>Cambiar el color.</b>                    | ... configurar la luz del <nombre del dispositivo> en azul.<br>... cambiar el <nombre del dispositivo> a color azul.   |
| <b>Cambiar la velocidad del ventilador.</b> | ... configurar la velocidad del <nombre del dispositivo> en <valor de 1-6>.<br>... configurar la velocidad del <nombre del dispositivo> en máximo/mínimo.<br>... subir/aumentar la velocidad del <nombre del dispositivo>.<br>... bajar/reducir la velocidad del <nombre del dispositivo> en <valor de 1-5>.<br>... ¿cuál es la velocidad del <nombre del dispositivo>?                        |
| <b>Cambiar la dirección del ventilador.</b> | ... ¿cuál es la dirección del <nombre del dispositivo>?<br>... ajustar la dirección del <nombre del dispositivo> en frío/calor/modo verano/modo invierno.<br>... ajustar la dirección del <nombre del dispositivo> a la derecha/izquierda.   |



| Cuando desee...                             | Hey Google...   |
|---|---|
| <b>Encender/apagar solo el ventilador.</b>  | ... encender/apagar <nombre del dispositivo>.   |
| <b>Encender/apagar solo la luz.</b>         | ... encender/apagar la luz del <nombre del dispositivo>.  |
| <b>Cambiar el brillo.</b>                   | ... ¿Cuál es el nivel de brillo del <nombre del dispositivo>?<br>... configurar el <nombre del dispositivo> en 50 %.<br>... configurar el brillo del <nombre del dispositivo> en 20 %.<br>... aumentar la intensidad del <nombre del dispositivo>.<br>... bajar la intensidad del <nombre del dispositivo>. |
| <b>Cambiar la temperatura de color.</b>     | ... configurar la luz del <nombre del dispositivo> en blanco frío.<br>... configurar la luz del <nombre del dispositivo> en blanco cálido.<br>... configurar el <nombre del dispositivo> en luz de día/cálido.  |
| <b>Cambiar el color.</b>                    | ... configurar la luz del <nombre del dispositivo> en azul.<br>... cambiar el <nombre del dispositivo> a color azul.  |
| <b>Cambiar la velocidad del ventilador.</b> | ... configurar la velocidad del <nombre del dispositivo> en < valor de 1-6>.<br>... subir/aumentar la velocidad del <nombre del dispositivo>.<br>... bajar/reducir la velocidad del <nombre del dispositivo>.<br>... ¿cuál es la velocidad del <nombre del dispositivo>?                                    |
| <b>Cambiar la dirección del ventilador.</b> | ... ¿cuál es la dirección del <nombre del dispositivo>?<br>... ajustar la dirección del <nombre del dispositivo> en frío/calor/modo verano/modo invierno.<br>... ajustar la dirección del <nombre del dispositivo> en avance/retroceso.   |

## SOLUCIÓN DE PROBLEMAS DE LA APLICACIÓN GLOBE SUITE

| Problema   | Solución   |
|--|--|
| <i>El dispositivo Globe no se conecta a wifi.</i>  | Asegúrese de que el dispositivo esté conectado a una fuente de alimentación.<br>Es posible que la conexión a Internet o la red wifi no esté funcionando.   |
| <i>El dispositivo no encuentra ninguna red wifi.</i>   | Compruebe que haya una red wifi de 2.4 GHz dentro del alcance del dispositivo que intenta agregar.   |
| <i>El dispositivo se encuentra en una ubicación donde no hay wifi.<br/>¿Puedo utilizarlo de todas maneras?</i> | Sí, el ventilador funciona con el control remoto incluido; sin embargo, para acceder a la función inteligente, se recomienda que compre un enrutador más potente, un extensor de wifi o un sistema wifi mallado. |
| <i>¿Cómo hago para restablecer el dispositivo?</i>   | Puede restablecer el dispositivo a valores de fábrica con la aplicación Globe Suite: Opciones de dispositivo - ELIMINAR - Restaurar la configuración de fábrica  |
| <i>El dispositivo permanece sin conexión durante largos períodos.</i>  | Compruebe que la intensidad de la señal de wifi sea suficiente. Es posible que deba mover el enrutador, o usar wifi mallada o extensores de wifi.  |

## MANTENIMIENTO

- El movimiento natural del ventilador puede aflojar algunas conexiones. Cualquier chasquido o vibración puede ser signo de un tornillo flojo. Compruebe las conexiones de sujeción, los soportes y la unión de las paletas dos veces al año, y ajuste todos los tornillos según sea necesario.
- Asegúrese de desconectar el ventilador de la fuente de alimentación antes de realizar tareas de servicio o limpieza.
- Limpie el ventilador regularmente. Use solo un paño húmedo, nunca emplee solventes, y quite el polvo con un paño suave o cepillo.
- No es necesario engrasar el ventilador, viene con cojinetes sellados de fábrica que evitan el ruido.
- No opere el producto si está dañado. Deseche el ventilador o envíelo a un centro de servicio autorizado para inspección o reparación.
- La potencia total del accesorio es de 18 watt; no intente reemplazar el LED.

## SOLUCIÓN DE PROBLEMAS

| Problema  | Solución   |
|---|--|
| <p><b><i>El ventilador/las luces no encienden</i></b></p>                                   | <p>Compruebe que el interruptor de pared esté encendido.<br/>           Revise todos los fusibles/disyuntores.<br/>           Corte la corriente eléctrica y asegúrese de que el cableado esté en condiciones y los conectores ajustados, como se muestra en el paso 6.2 de montaje.<br/>           Confirme que el control remoto funciona, el indicador LED se debe iluminar cuando se pulsa cualquier botón.<br/>           Si el ventilador/la luz no enciende, comuníquese con un electricista calificado. No intente solucionar problemas de conexiones eléctricas internas usted mismo.</p>   |
| <p><b><i>El ventilador hace ruido</i></b></p>   | <p>Permita un período de “adaptación” de 24 horas. Cualquier nivel de ruido más alto del sonido ambiente desaparecerá durante ese tiempo.<br/>           Revise la caja de distribución eléctrica y compruebe que esté bien ajustada.<br/>           Revise todas las conexiones de tornillos/cables en el ventilador para comprobar que están bien ajustadas, como se muestra en el paso 9 de montaje.<br/>           Asegúrese de que el plafón esté correctamente instalado y bien firme, como se muestra en el paso 11 de montaje.<br/>           El uso de un regulador de intensidad o un control de pared no aprobado puede hacer que el ventilador y la luz funcionen de manera irregular y causen mucho ruido. Compruebe que, si estuviera instalado, el control de pared esté aprobado para uso con ventiladores de techo. Sin embargo, no se recomienda usar un interruptor para regular la intensidad con el ventilador.</p>   |
| <p><b><i>El ventilador se mueve hacia atrás y hacia adelante cuando se enciende</i></b></p> | <p>Este es el procedimiento de arranque normal para ventiladores con motor de CC. El movimiento parcial durante el arranque se debe a que el motor de CC se alinea con los polos magnéticos internos para un funcionamiento correcto. Este diseño ahorra electricidad y permite que el ventilador funcione de manera mucho más silenciosa que otros ventiladores con motor de CA convencionales.</p>   |
| <p><b><i>El ventilador no desplaza mucho aire</i></b></p>                                   | <p>Revise la dirección de las paletas mientras funciona. Si fuera necesario, cambie la dirección para asegurarse de que el ventilador desplaza el aire en el sentido deseado.<br/>           Asegúrese de que ningún objeto de la casa obstruya el flujo de aire del ventilador de techo.<br/>           Compruebe que el ventilador sea apropiado para el tamaño de habitación en la que se instala.</p>  |
| <p><b><i>El ventilador se sacude u oscila</i></b></p>                                       | <p>Se admite una cantidad mínima normal de oscilación, que no indica ningún defecto. Haga funcionar el ventilador por lo menos diez minutos antes de comprobar el nivel de oscilación.<br/>           Compruebe que la caja de distribución eléctrica y el soporte para colgar estén bien ajustados, como se muestra en el paso 1 de montaje.<br/>           Verifique que las paletas están instaladas correctamente y todos los tornillos están ajustados con firmeza y completamente apretados, como se muestra en el paso 4 de montaje.<br/>           Revise que la ranura de la semiesfera calce correctamente en la ranura del soporte; caso contrario, gire la semiesfera hacia la derecha hasta que entre en la ranura, como se muestra en el paso 7.2 de montaje.<br/>           Si cambia dos paletas adyacentes (una al lado de la otra) puede modificar la distribución del peso y reducir la oscilación. Consulte el paso 4 de montaje.<br/>           Instale el kit de balanceo incluido. Si el movimiento persiste, simplemente cambie la ubicación del kit de balanceo hasta que el exceso de movimiento cese.</p> |
| <p><b><i>El control remoto no funciona</i></b></p>  | <p>Compruebe que las pilas estén instaladas correctamente.<br/>           Confirme que el control remoto y el receptor estén emparejados. Si las pilas son nuevas y la luz del indicador LED funciona, pero el ventilador o la luz no funcionan, es posible que se haya desemparejado el control remoto. Para emparejar el control remoto y el ventilador, pulse el botón rojo principal de encendido tres veces.<br/>           Asegúrese de que los cables que vienen del receptor estén correctamente conectados al cableado de la casa y a los cables del ventilador de techo, como se muestra en el paso 9.3 de montaje.</p>  |