

# Mirror Cabinet Installation Guide

(Recessed and Wall Mounted Installation)

For Models:

Juno SC1-R-24

Juno SC1-R-28

Juno SC1-R-32

Aria SC2-AR-30X34

Aria SC3-AR-48X32

GLASSWAREHOUSE

## Before You Begin

---

**Caution:** Risk of personal injury. Cabinets are very heavy. Get assistance for lifting and moving the cabinets



**NOTICE:** Risk of property or product damage. The location of the cabinet is critical. Make sure that the door will clear all obstacles (such as a faucet or light fixture). Ensure that any obstacles behind the finished wall will not be damaged during the cutting and/or drilling process.

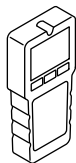
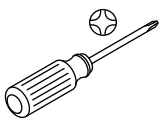
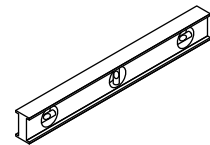
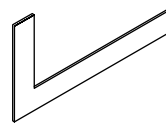
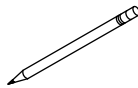
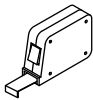
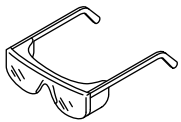
**IMPORTANT!** Reroute any electrical wires or water supply piping from the wall cavity. If you encounter drain or vent piping or if your wall is load-bearing, consult a professional before proceeding.

**NOTE:** Recessed-Mount Installation: The wall cavity must be framed. The cabinet must be secured to the framing studs.

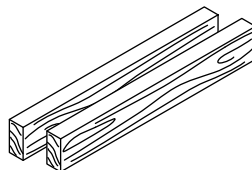
- Observe all local building codes.
- The appearance of your recessed cabinet may differ from the recessed cabinet illustrated. The installation steps still apply.
- This installation is easiest when performed by two people.
- When determining the height of the product, verify that the doors will clear all obstacles (such as a faucet or light fixture). A minimum distance of 3" (76 mm) is required.

## Tools and Materials

---



Stud  
Finder



2x4 Lumber

Plus:

- Wire Cutter/Stripper
- Assorted Drill Bits
- Framing and Drywall Tools
- Framing and Drywall Fasteners

Thank you  
for your purchase.

If for any reason you are having trouble with installation, or if the size of the product does not fit your designated space, please contact Glass Warehouse directly and do not return this product to place of purchase.

Glass Warehouse takes pride in providing quality products and customer service. We want to ensure your happiness with your purchase for years to come. We have an extensive range of sizes, so no matter what your measurements are, Glass Warehouse can supply the product to fit!

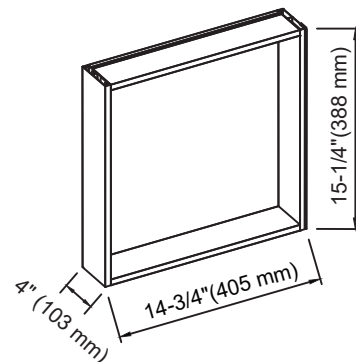
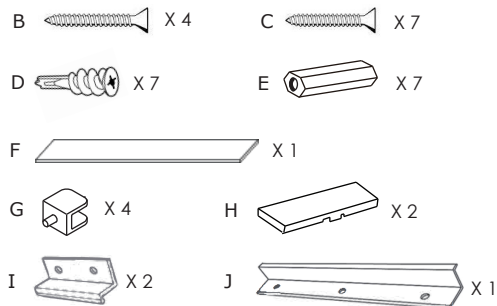
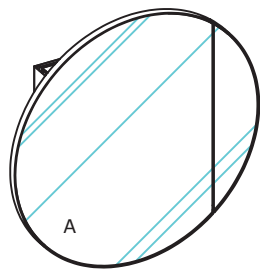
If you have any questions, please do not hesitate to reach out to us. Thank you again for choosing Glass Warehouse!

Best Regards,

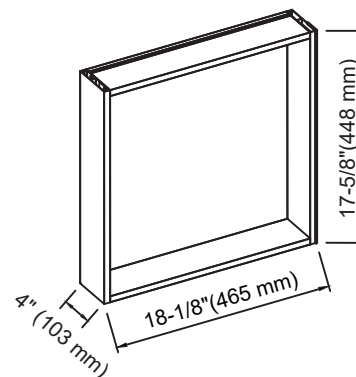
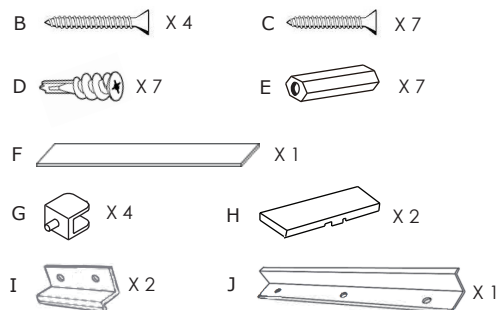
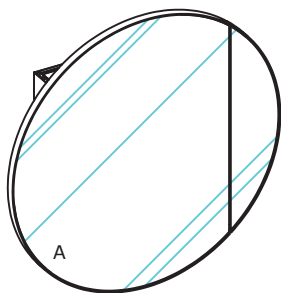
The Team at Glass Warehouse  
(760) 536 3640  
[inquiries@glasswarehouse.us](mailto:inquiries@glasswarehouse.us)

# Installation Guide

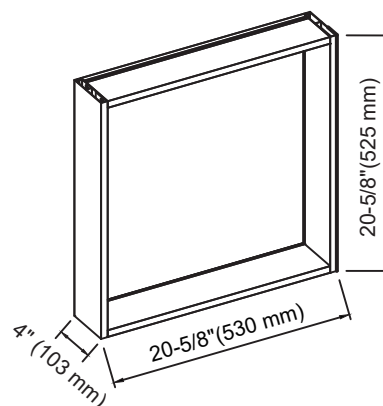
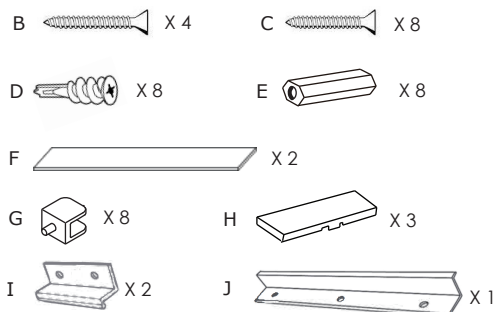
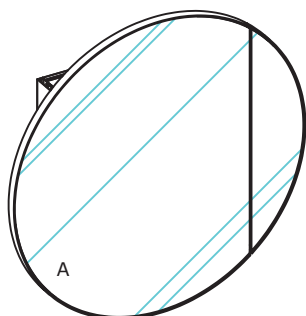
**Model SC1-R-24** (W: 24" / H: 24"/: 1 Door)



**Model SC1-R-28** (W: 28" / H: 28" / 1 Door)



**Model SC1-R-32** (W: 32" / H: 32" / 1 Door)



## Included in your purchase

- A** Cabinet Body
- B** 40mm(L) Flat Head Screw (For Wooden Frame)
- C** 35mm(L) Flat Head Screw (For Wall Mounting)
- D** Drywall Wall Plug (For Wall Mounting)
- E** Anchor for masonry (For Wall Mounting)
- F** Glass shelf
- G** Shelf clip
- H** Cover plate for hinge
- I** Top Bracket (For Wall Mounting)
- J** Bottom Bracket (For Wall Mounting)

## Preparation

Measuring the cabinet body of the actual product.

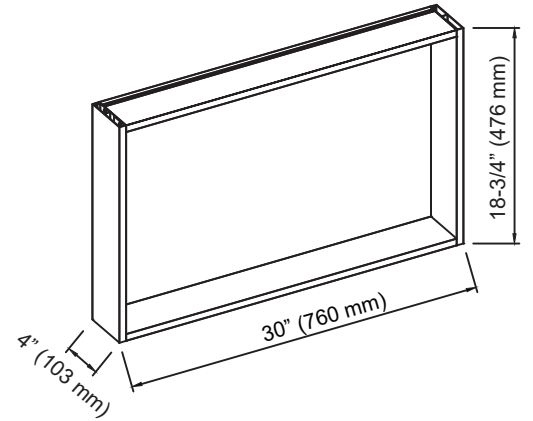
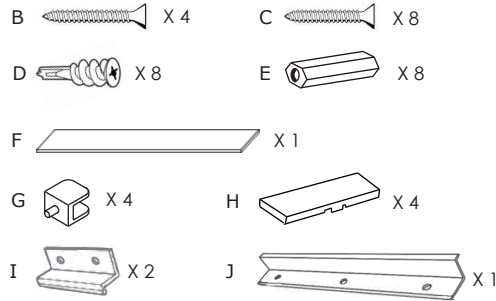
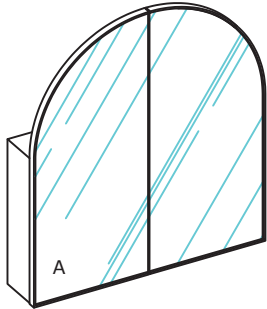
### IMPORTANT:

The dimensions of the cabinet body may be vary from actual item. Please measure the exact item before making cutout.

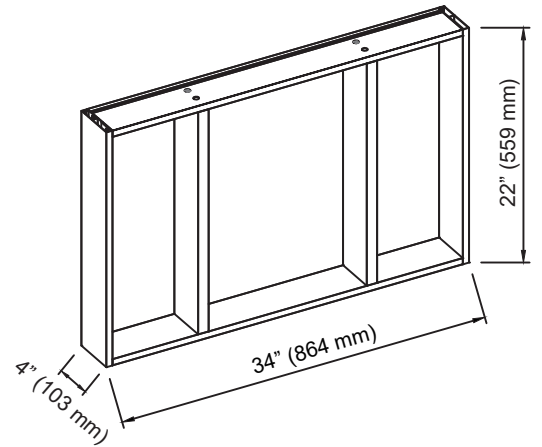
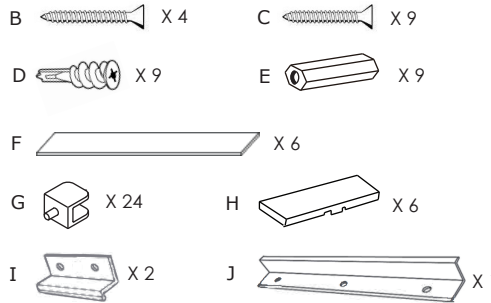
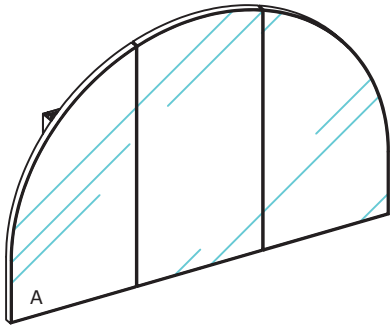


# Installation Guide

**Model SC2-AR-30X34** (W: 30" / H: 34" / 2 Doors)



**Model SC3-AR-48X32** (W: 48" / H: 32" / 3 Doors)



## Included in your purchase

- A** Cabinet Body
- B** 40mm(L) Flat Head Screw (For Wooden Frame)
- C** 35mm(L) Flat Head Screw (For Wall Mounting)
- D** Drywall Wall Plug (For Wall Mounting)
- E** Anchor for masonry (For Wall Mounting)
- F** Glass shelf
- G** Shelf clip
- H** Cover plate for hinge
- I** Top Bracket (For Wall Mounting)
- J** Bottom Bracket (For Wall Mounting)

## Preparation

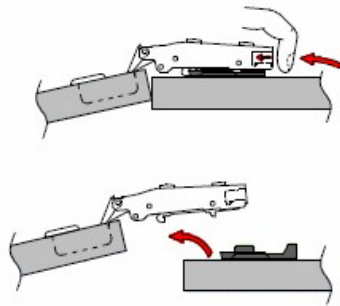
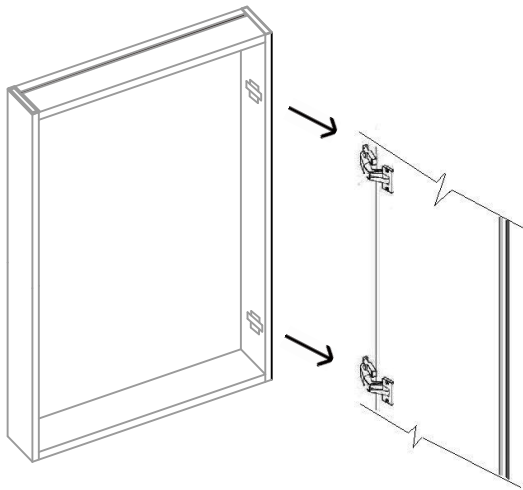
Measuring the cabinet body of the actual product.

### IMPORTANT:

The dimensions of the cabinet body may vary from actual item. Please measure the exact item before making cutout.



# Wall Mount Installation



01

## Disassemble the cabinet door(s)

After taking out the cabinet, disassembling the door(s).

The door(s) can be quickly removed by pushing the button on hinge.

Unclipping the door from the mounting plate.

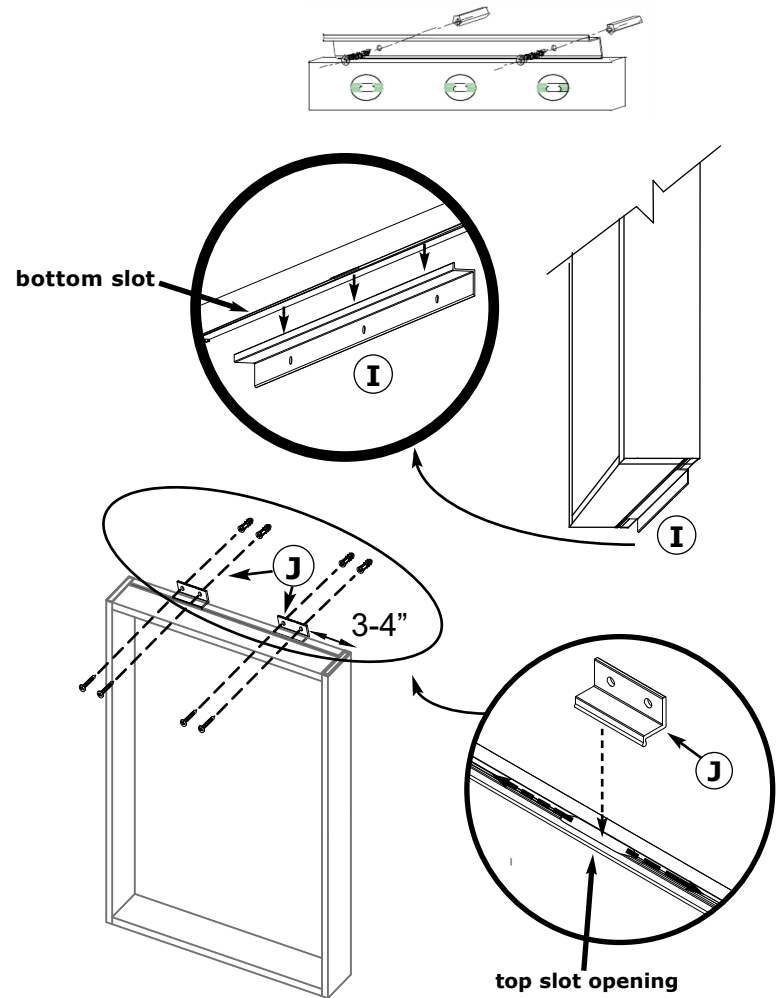
### IMPORTANT:

When determining the height of product, verify that the doors will clear all obstacles (such as a faucet or light fixture). A minimum distance of 3" (76mm) is required.



Remarks for fixing brackets:

- Drywall: remove the screws from the Drywall wall plugs (D). Using a Phillips head screwdriver in the end of the Drywall plug, gently apply pressure and rotate clockwise. The plug will bore its own hole into the Drywall. Continue until the end of the plug is close to flush with the wall. **WARNING: DO NOT OVER-TIGHTEN.**
- Masonry: Drill holes using a 1/4" masonry drill bit. With a hammer, gently tap each Green anchor (E) into the holes until flush with the wall surface.
- Timber: Drill holes using a 1/8" wood drill bit. Anchors are not necessary.



02

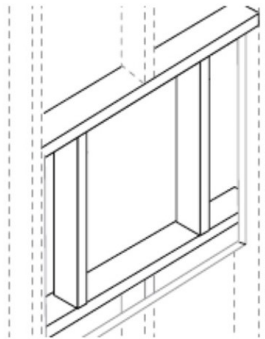
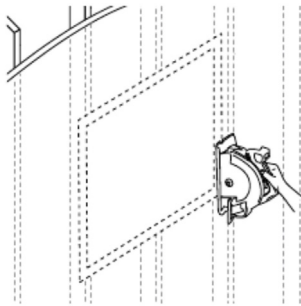
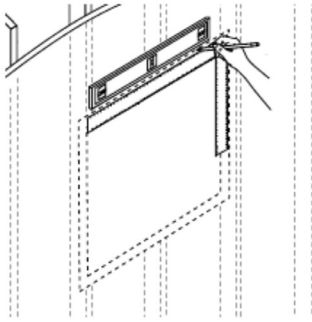
## Installing the mounting brackets and mounting the Cabinet Body on wall (Please read the remarks carefully before starting)

Measure and mark the bottom mounting holes on the wall corresponding to the pre-drilled hole locations in the bottom mounting bracket (Draw horizontal line connecting the two bottom marked locations. The line should be level and make sure the bracket is located in the middle of the bottom slot.) Install the screws (C) to fix the bottom bracket to the remarks.

Put the cabinet body on the bottom bracket and ensure the bracket has been inserted into the slot.

Insert the top brackets into the top slot and move them to correct locations (3"-4" from the sides of cabinet body). For some items with 3 top brackets, locate the last one in the middle of top slot). Mark the holes on the wall corresponding to the pre-drilled hole locations for top mounting brackets. Install the screws (C) to fix the top brackets according to the remarks.

# Recessed Installation



01

## Construct the framing

Measuring the cabinet body of exact item.

Using a jigsaw or keyhole saw, carefully remove the finished wall material from the marked cutout.

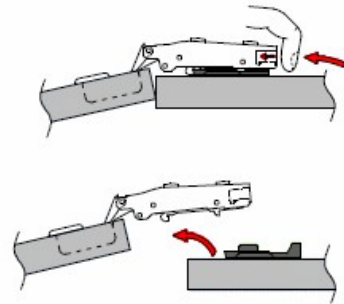
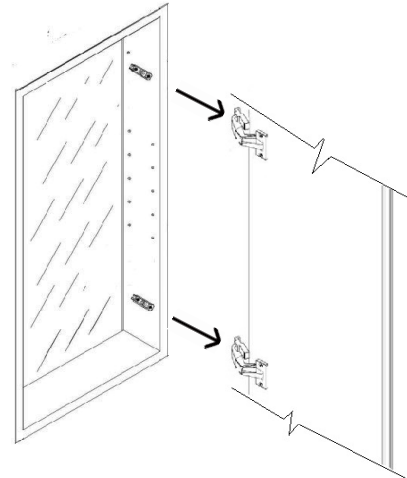
Frame out the wall cavity. If needed, install a header.

### IMPORTANT:

The dimensions of the cabinet body may vary from actual item. Please measure the exact item before making cutout.



When determining the height of the product, verify that the doors will clear all obstacles (such as a faucet or light fixture). A minimum distance of 3" (76 mm) is required.



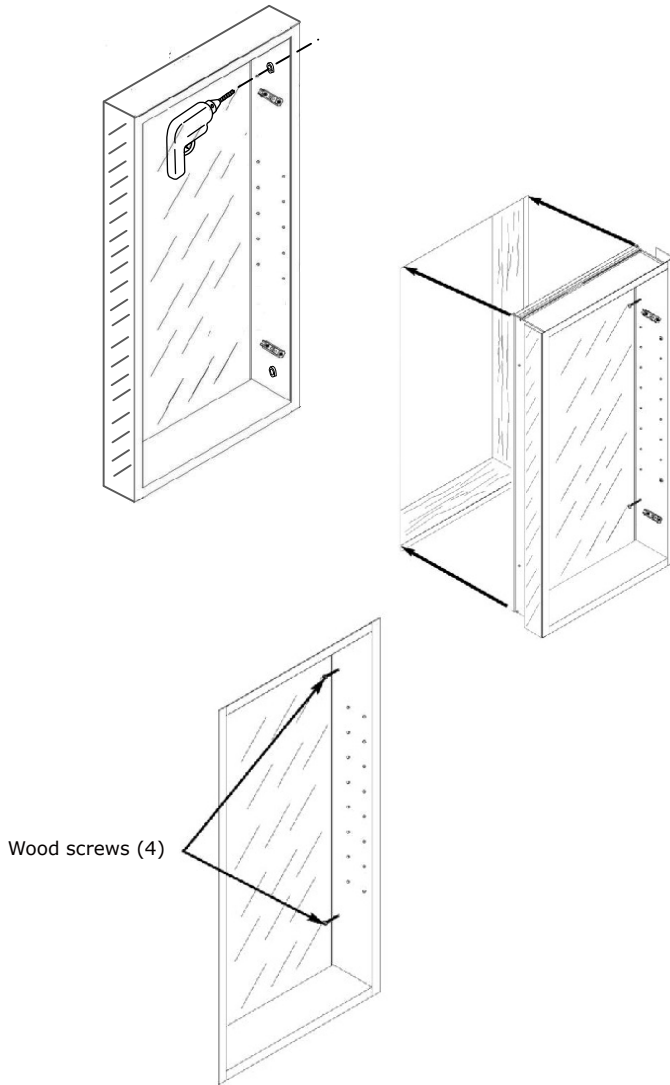
02

## Disassemble the cabinet door(s)

After taking out the cabinet, disassembling the door(s).

The door(s) can be quickly removed by pushing the button on hinge.

Unclipping the door from the mounting plate.



03

### Install the cabinet body into the framing

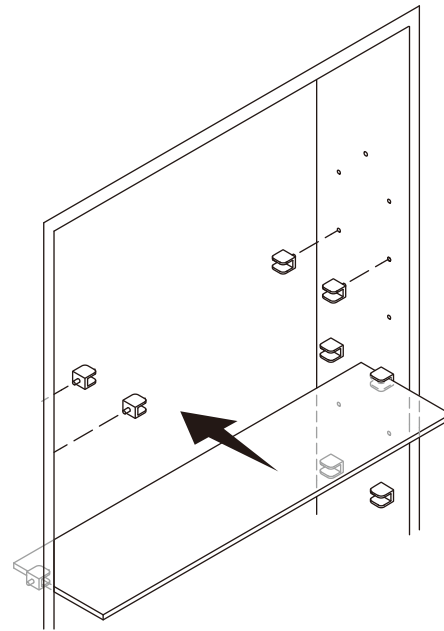
Drill through the 4 Half-Drilled holes (With rivet nuts) for recessed installation by using 1/4" drill bit.

Make sure hinges are on correct side of opening for left hand or right hand operation.

Place cabinet body into framing.

Insert 4 wood screws (B) into four locations provided for recessed installation. Be careful not to overtighten. Make sure cabinet is centered in framing.

**Important:** Enclosed screws are for wooden frame only. Appropriate anchors and screws need to be purchased for installation into non wooden frames.



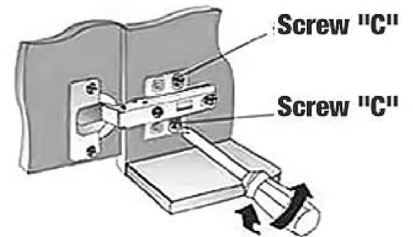
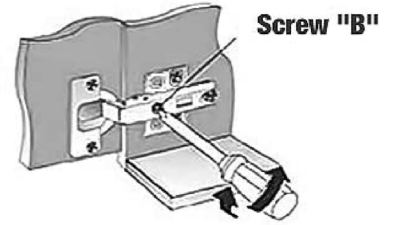
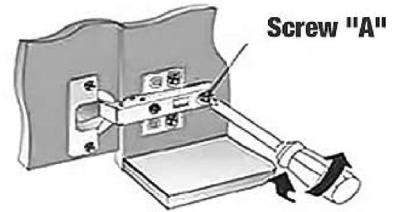
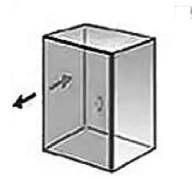
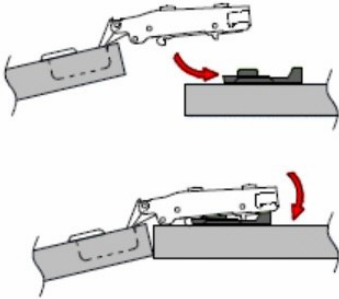
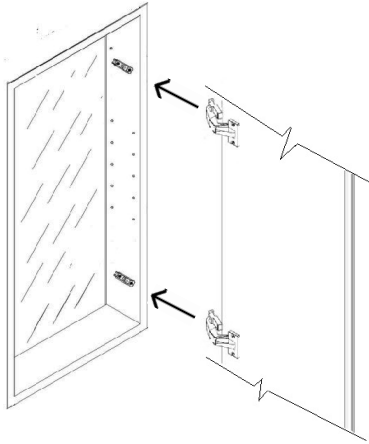
04

### Install the glass shelf(shelves)

Determine the shelf(shelves) locations and insert the slotted pins into the holes in the sides of the cabinet.

Install the shelf(shelves) between the slots of the pins and then, tighten the plastic screw at bottom of each clip. Be careful not to overtighten.





05

### Reassembling the door(s)

After install the glass shelf (shelves) in right position, reassembling the door(s).

Clamp hinge on the mounting plate as shown by direction arrow.

Press down the hinge arm to lock the plate as shown.

**Important:** For products with more than one door, please make sure you assemble the doors in correct sides by matching the same letters stuck on the mounting plate on cabinet body and hinge arm on door.



06

### Adjusting hinges - To make the door(s) in correct position

Front to back adjustment - Turn the screw "A" clockwise or anti-clockwise for moving the door Inward or Outward.

Lateral adjustment - Turn the screw "B" clockwise or anti-clockwise for moving the door Left or Right.

Vertical adjustment - Turn the screw "A" clockwise or anti-clockwise for moving the door Up or Down.

## Care and Cleaning

---

The cabinet door and interior are constructed of mirrored glass, steel and stainless steel. Use only a damp cloth to clean.

Ammonia or vinegar based cleaners can damage mirrors. A solution of 50% of water and 50% of isopropyl alcohol is recommended for mirror cleaning.

A very mild detergent may be used to clean the surface. When cleaning, spray the cloth, not the cabinet, mirror, or surround surfaces. Do not use abrasive cleansers on any part of the cabinet.

# Exclusive Limited Warranty Terms & Conditions.

This warranty is effective as of JANUARY 1, 2019 on all Glass Warehouse product purchases

**PLEASE READ Glass Warehouse WARRANTY TERMS AND CONDITIONS BEFORE INSTALLING YOUR Glass Warehouse PRODUCT. BY USING THE PRODUCT, YOU ARE CONSENTING TO BE BOUND BY THE FOLLOWING WARRANTY TERMS AND CONDITIONS**

Glass Warehouse offers the following warranty for its products and components thereof. This warranty extends only to the original owner/end-user for household use only and is not transferable to a subsequent owner. Glass Warehouse reserves the right to modify this warranty at any time, it being understood that such modifications will not alter the warranty conditions applicable at the time of sale of the products in question. This warranty extends for a designated period of time, so long as the product remains in use in its original place of installation and that the product must be maintained as described in the owner's manual supplied with the product. This warranty applies only to Glass Warehouse® products purchased from an authorized dealer in the United States or Canada.

**Proof of purchase (original sales receipt) from the original consumer purchase must be provided with all warranty claims.** No responsibility is assumed by Glass Warehouse for any special, incidental or consequential damages. **IN NO EVENT SHALL THE LIABILITY OF Glass Warehouse EXCEED THE PURCHASE PRICE OF THE UNIT.**

Glass Warehouse products must be installed by a fully insured, licensed professional and according to the Glass Warehouse installation instructions and guidelines. Installation of Future Glass product by anyone other than a fully insured licensed professional shall **VOID THE WARRANTY.** Future Glass recommends that such licensed professionals have experience in the installation of bathroom products -specifically glass shower and glass tub doors. Installation of certain products, including, without limitation, glass products (i.e., shower and tub doors) by an unlicensed or inexperienced installer may result in glass breakage and, consequently, may cause personal injury or even death and Glass Warehouse will not be liable.

## **PARTS ONLY WARRANTY – Limited Warranty 3 years**

This warranty is extensive in that it covers replacement of all defects. Glass Warehouse may, at its option, examine and inspect the alleged defective product and Glass Warehouse may request that parts be returned to Glass Warehouse at Owner's expense for factory assessment and inspection. If Glass Warehouse determines product to be covered by the above Warranty, replacement parts will be shipped via ground shipping. Increased costs for expedited delivery, if requested by the Customer, will be the responsibility of Customer. Parts replaced under the terms of this Warranty will be warranted for the remainder of the original warranty period.  
**LABOR CHARGES AND/OR DAMAGE INCURRED DURING**

**INSTALLATION, REPAIR, OR REPLACEMENT, AS WELL AS ANY OTHER KIND OF ANCILLARY COST, LOSS OR DAMAGE ARE EXCLUDED. Please allow up to 1-3 business days for processing of warranty issued parts. Once warranty replacement parts are shipped, warranty is activated and product cannot be returned for refund thereafter.**

## **SHOWER & TUB DOORS, SHOWER ENCLOSURES GLASS, MEDICINE CABINETS**

Glass Warehouse shower doors, tub doors, shower enclosures and medicine cabinets are backed by a Limited Lifetime Warranty. Glass Warehouse warrants the glass of shower doors, tub doors, shower enclosures and medicine cabinets to be free from defects in workmanship and materials under normal residential use for a period commencing from the initial date of purchase by the owner/ end-user, contractor or builder from an authorized Future Glass dealer for the life of the product as long as the original consumer purchaser owns the home in which the product is installed. Warranty for plastic seal strips, sweeps or any other vinyl components shall be limited to one (1) year. Glass Warehouse does not warrant glass for scratches, chips, water spots, breaking or any other damage after installation.

## **SHOWER & TUB DOORS, SHOWER ENCLOSURE HARDWARE, MEDICINE CABINETS**

Glass Warehouse shower door, tub door, shower enclosure hardware and medicine cabinets are backed by a Limited Lifetime Warranty. Glass Warehouse warrants shower door, tub door and shower enclosure hardware (i.e. handles, bath knobs, hinges, clips, brackets, shower rods, 90° corner brackets) in chrome, brushed nickel, satin brass and polished brass finishes only to be free from defects in workmanship and materials under normal residential use for a period commencing from the initial date of purchase by the owner/ end-user, contractor or builder from an authorized Glass Warehouse dealer for the life of the product as long as the original consumer purchaser owns the home in which the product is installed. Warranty for any part in oil rubbed bronze or matte black finish shall be limited to one (1) year.

Glass Warehouse hereby disclaims all warranties for products sold as dealer or store displays. Glass Warehouse hereby disclaims all warranties for products used outside of the United States or Canada whether expressed or implied, including but not limited to the implied warranties of merchantability and fitness for a particular purpose.

## **WARRANTY TERMS**

Glass Warehouse will, at its election, repair or replace the product found by Glass Warehouse in its sole judgment, to be defective within the warranty period under normal residential use and maintenance. The replacement of a product is limited to supplying a replacement product or part (same as existing or if not available, comparable product). Glass Warehouse warranty

obligation shall be discharged upon tender of parts, replacement or repair of the product. Purchaser's refusal to accept the tender terminates all warranty obligations and **VOIDS THE WARRANTY**. Cost of freight for returning products to Glass Warehouse for repairs or replacement under this limited warranty are the responsibility of the customer. Cost of freight associated with shipping of replacement product(s) or parts covered by this warranty is the responsibility of the original user. Any product replaced or repaired during the warranty period will be covered only for the remaining period of the original warranty. In no event will Future Glass be liable for costs of repair or replacement of any installation material, including but not limited to tile, marble, etc. **Future Glass IS NOT RESPONSIBLE FOR INSTALLATION, REMOVAL OR REINSTALLATION COSTS OF ANY PRODUCT REQUIRING WARRANTY SERVICES.**

Any modification or alteration of any Glass Warehouse products will void the warranty. Neither the authorized Glass Warehouse dealer, nor any other person is permitted to make any affirmation, representation, or warranty other than those contained in this warranty. Any affirmation, representation, or warranty other than those contained in this warranty shall not be enforceable against Glass Warehouse or any other person.

Glass Warehouse product installations must be performed by either a Glass Warehouse authorized agent or a licensed, insured and experienced professional contractor - installations performed by any other party shall void the warranty. This warranty shall not apply to breakage or damages caused by normal wear and tear, fault, carelessness, abuse, misuse, misapplication, improper maintenance, alteration or modification of the unit, as well as chemical or natural corrosion, accident, fire, flood or any other casualty. Improper care and cleaning will void the warranty. Use of cleaners containing abrasive cleansers, ammonia, bleach, acids, waxes, alcohol, solvents or other products not recommended for hardware finishes, glass or acrylic as they may damage the metal or glass finish of your shower door or shower enclosure and will void the warranty. For additional product maintenance instructions please refer to the product installation manual. Future Glass is not responsible for any issues arising in connection with errors or omissions in information provided on Glass Warehouse or dealers' websites. This warranty does not extend to any non-Glass Warehouse plumbing or components installed by installers, end users or by any party other than Glass Warehouse.

**THE FOREGOING WARRANTIES ARE IN LIEU OF ALL OTHER WARRANTIES, EXPRESSED OR IMPLIED, INCLUDING BUT NOT LIMITED TO THE IMPLIED WARRANTIES OF MERCHANTABILITY AND FITNESS FOR A PARTICULAR PURPOSE. BATH AUTHORITY LLC ("Glass Warehouse") AND/OR SELLER DISCLAIMS ALL LIABILITY FOR SPECIAL, INCIDENTAL OR CONSEQUENTIAL DAMAGES. Glass Warehouse IS NOT LIABLE FOR PERSONAL INJURIES OR DEATH TO ANY PERSON OR FOR ANY DIRECT, SPECIAL, INCIDENTAL OR CONSEQUENTIAL DAMAGE, LOSS OF USE, LOSS OF TIME, LOSS OF PROFITS,**

**INCONVENIENCE, INCIDENTAL EXPENSES, LABOR OR MATERIAL CHARGES, OR ANY OTHER COSTS RESULTING FROM THE USE OF ITS PRODUCTS OR PERTAINING TO THE APPLICATION OF THE PRESENT WARRANTY, OR RESULTING FROM THE REMOVAL OR REPLACEMENT OF ANY PRODUCT OR ELEMENT OR PART COVERED BY THIS WARRANTY.**

#### **COMMERCIAL USE AND OTHER EXCLUSIONS**

This warranty excludes all industrial, commercial and business usage. The warranty period for products installed for commercial applications or used in commercial ventures, including but not limited to motels, hotels, casinos, student housing, condos, apartments, and fitness centers, is a one (1) year limited warranty from the date of purchase for shower doors, bathtub doors, shower enclosures and a three (3) month limited warranty from the date of purchase for mirrors, with all other terms of this warranty applying except the duration of the warranty.

#### **WARRANTY SERVICE**

**To file a warranty claim the following information is required:**

- **Name, address and telephone number**
- **Product model number**
- **Brief description of problem (please note that additional information such as photos may be required to fully process your warranty claim)**
- **Proof of purchase (sales receipt, invoice, etc.)  
PO, Invoice or original purchaser name**

**Submit required information by e-mail:  
[accounts@glasswarehouse.us](mailto:accounts@glasswarehouse.us)**

**Or, contact Technical Support:  
Monday – Friday 8am – 5pm – PST**

**Technical Support: 760-536-3640**

# GLASSWAREHOUSE

Register Your Warranty Today!

To activate your limited lifetime warranty, please visit:  
<http://www.glasswarehouse.us/contact/>



We will require this information within 30 days of purchase to complete the activation of your warranty.