



GLADIATOR®

MODEL/MODÈLE/ MODELO:
GAMT41HWJG

PREMIER 41" 9-DRAWER MOBILE WORKBENCH WITH HARDWOOD TOP

Assembly Instructions

ÉTABLI MOBILE À 9 TIROIRS DE 41" AVEC DESSUS EN BOIS MASSIF

Instructions d'assemblage

BANCO DE TRABAJO MÓVIL DE CALIDAD SUPERIOR DE 41" CON 9 CAJONES Y SUPERFICIE DE MADERA MACIZA

Instrucciones de ensamblaje

TABLE OF CONTENTS/TABLE DES MATIÈRES/ÍNDICE

MOBILE WORKBENCH SAFETY	2	SÉCURITÉ DE L'ÉTABLI MOBILE.....	9	SEGURIDAD DEL BANCO DE	
DIMENSIONS	3	DIMENSIONS	10	TRABAJO MÓVIL	17
MOBILE WORKBENCH USE		CONDITIONS D'UTILISATION		DIMENSIONES	18
REQUIREMENTS	4	DE L'ÉTABLI MOBILE.....	11	REQUISITOS DE USO DEL BANCO DE	
ASSEMBLY INSTRUCTIONS.....	4	INSTRUCTIONS D'ASSEMBLAGE.....	11	TRABAJO MÓVIL	19
FINAL ASSEMBLY.....	6	ASSEMBLAGE FINAL	13	INSTRUCCIONES DE ENSAMBLAJE	19
POWER OUTLET WITH USB.....	7	PRISE DE COURANT AVEC USB.....	14	MONTAJE FINAL.....	21
MOBILE WORKBENCH		MAINTENANCE DE L'ÉTABLI MOBILE	14	TOMA DE CORRIENTE CON USB	22
MAINTENANCE.....	7	ENREGISTREMENT DE		MANTENIMIENTO DE BANCO DE	
REGISTERING YOUR		VOTRE PRODUIT	14	TRABAJO MÓVIL	22
PRODUCT.....	7	GARANTIE	15	CÓMO REGISTRAR EL PRODUCTO	22
WARRANTY	8			GARANTÍA.....	23

MOBILE WORKBENCH SAFETY

Your safety and the safety of others are very important.

We have provided many important safety messages in this manual and on your appliance. Always read and obey all safety messages.



This is the safety alert symbol.

This symbol alerts you to potential hazards that can kill or hurt you and others.

All safety messages will follow the safety alert symbol and either the word "DANGER" or "WARNING."

These words mean:

⚠ DANGER

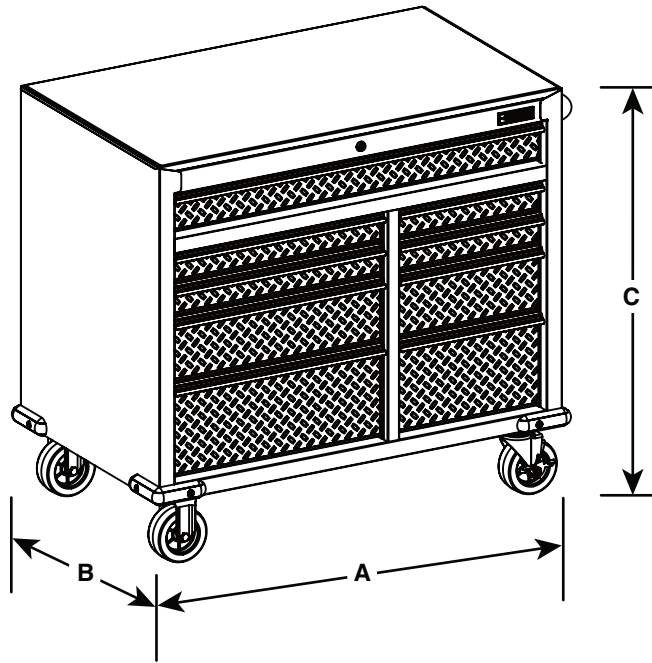
You can be killed or seriously injured if you don't immediately follow instructions.

⚠ WARNING

You can be killed or seriously injured if you don't follow instructions.

All safety messages will tell you what the potential hazard is, tell you how to reduce the chance of injury, and tell you what can happen if the instructions are not followed.

DIMENSIONS



Model	GAMT41HWJG
A	41" (104 cm)
B	24.5" (62.3 cm)
C	38" (97 cm)

MOBILE WORKBENCH USE REQUIREMENTS

- Intended for garage use in a dry location.
- Use caster locks when not being moved.
- Maximum weight limit is 100 lbs (45 kg) for each drawer.
- Maximum weight limit for mobile workbench is 1500 lbs (682 kg).

ASSEMBLY INSTRUCTIONS

TOOLS AND PARTS



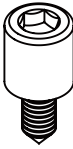
- Gather the required tools and parts before starting assembly. Parts are located inside tool cabinet.

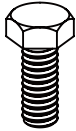
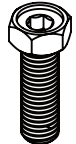
TOOLS NEEDED

- Double-sided 10 mm / 12 mm wrench (included)
- Philips screwdriver
- Hex key

PARTS SUPPLIED

- Mobile workbench
- Cord storage hook (2)
- Cabinet handle
- Fixed casters (2)
- Swivel casters (2)
- Drawer and tray liners (9)
- Keys (2)
- Bumpers (4)
- F1 - M6 – 1.00 x 15 hex bolt (4)
- F2 - M8 – 1.25 x 25 hex bolt (16)
- F3 – M6 – 1.00 x 12 pan-head Philips screw (4)
- F4 - 6 mm washer (8)
- F5 - M6 hex-head bolt (8)

F3		M6 – 1.00 x 12 pan-head Philips screw (4)
F4		6 mm washer (8)
F5		M6 hex-head bolt (8)

F1		M6 – 1.00 x 15 hex bolt (4)
F2		M8 – 1.25 x 25 hex bolt (16)

UNPACK THE MOBILE WORKBENCH

⚠ WARNING

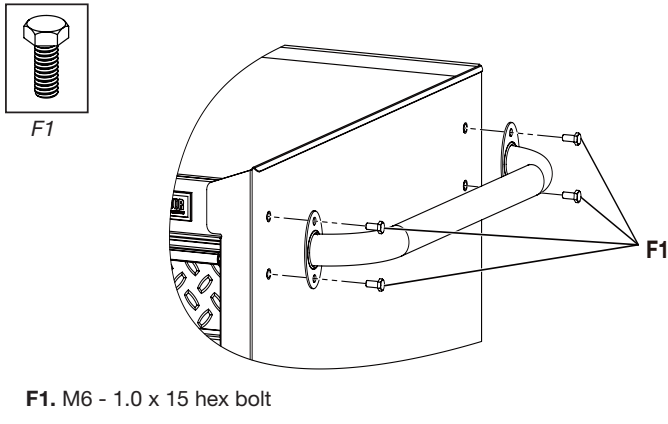
Excessive Weight Hazard

Use two or more people to move and assemble workbench.

Failure to do so can result in back or other injury.

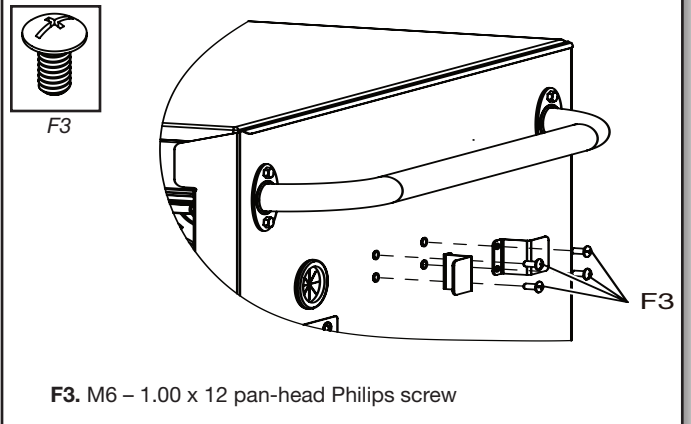
- Remove the packaging from the mobile workbench. Parts are located inside the cabinet drawer. Verify contents. See “Parts Supplied.”
- Set aside the outer cardboard package for use during assembly.
- After assembly, dispose of all packaging materials properly.

1. Attach the Handle



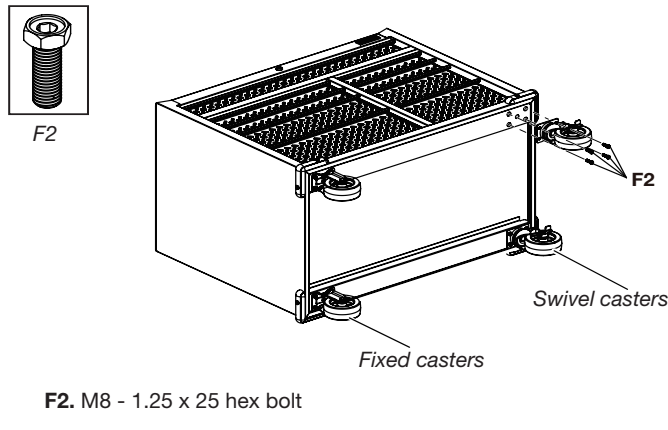
Position the handle over the threaded inserts on the side of the cabinet. Attach handle with M6-1.00 x 15 Hex bolts (F1) (4) and tighten with 10 mm wrench (provided).

2. Attach Cord Storage Hooks



Position the cord storage hooks over the threaded inserts on handle side of the cabinet. Using M6-1.00 x 12 pan-head Philips screws (F3) (4) attach the hooks facing opposite of each other. Tighten the screws with a Philips screwdriver.

3. Attach the Casters



⚠ WARNING

Excessive Weight Hazard

Use two or more people to move and assemble workbench.

Failure to do so can result in back or other injury.

Push in all the cabinet drawers fully and lock using the key. Using two or more people, lay the cabinet down on its back with the drawers facing upward. Protect the cabinet back finish by laying it down on the saved cardboard packaging material. Attach the swivel casters to the cabinet, on the same side as the handle, using M8-1.25 x 25 hex bolts (F2) (8) and tighten with the provided 12 mm wrench. Attach the fixed casters to the cabinet, on the opposite side as the handle, using M8-1.25 x 25 hex bolts (F2) (8) and tighten with the provided 12 mm wrench.

FINAL ASSEMBLY

⚠ WARNING

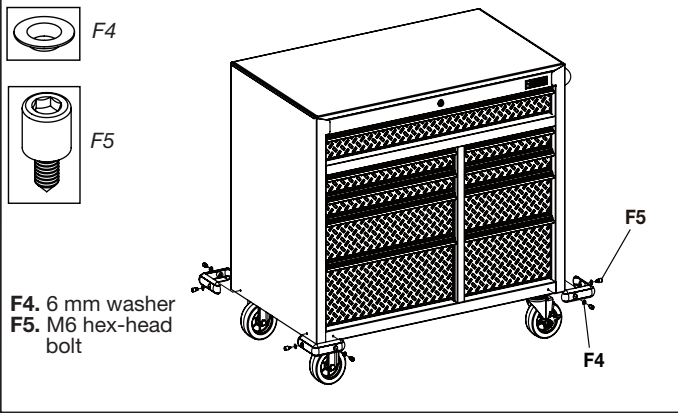
Excessive Weight Hazard

Use two or more people to move and assemble workbench.

Failure to do so can result in back or other injury.

Using two or more people, lift the mobile workbench up and onto the casters.

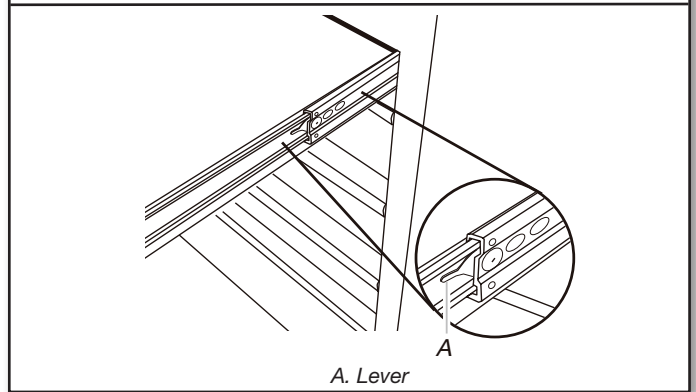
1. Bumper Assembly



Using 6 mm hex head bolts (F5) (8) and 6 mm washers (F4) (8), fasten a bumper to each corner of the cabinet. Completely tighten all the fasteners.

NOTE: To keep from stripping the bolts, do not overtighten.

2. Use, Remove and Replace the Drawers



NOTE: The key locks all of the drawers. Use the drawer liners to avoid scratching or damaging the drawers.

REMOVING THE DRAWER

Unload the contents from the drawer. Slide out the drawer as far as it will go. Press the lever down on the right-hand track and lift the lever up on the left track to release the drawer. Pull the drawer out the rest of the way.

REPLACING THE DRAWER

Align the drawer guides with the receiving glides. Hold the receiving glides firmly and insert the drawer guide.

NOTE: It is normal for the drawer to close tightly the first time after it has been removed. Push the drawer in completely.

POWER OUTLET WITH USB

⚠ WARNING



Electrical Shock Hazard

Plug into a grounded 3 prong outlet.

Do not remove ground prong.

Do not use an adapter.

Do not use an extension cord.

Failure to follow these instructions can result in death, fire, or electrical shock.

- The powerstrip cord is shipped outside the right side and must be routed through the rubber grommet located above the powerstrip.
- Remove the power cord packaging material and pull the cord power plug through the grommet completely.
- Do not insert a cord through a hole without a grommet.
- Always unplug power cord when moving or cleaning the mobile workbench.
- The mobile workbench includes cord hooks that allow for cord storage.
- The powerstrip includes an on/off switch that has an overload protector rated at 15 A. Do not overload the powerstrip.
- The USB ports can be used to charge cell phones and power USB devices.

NOTE: This device complies with Part 15 of the FCC Rules. Operation is subject to the following two conditions:

1. This device may not cause harmful interference, and
2. This device must accept any interference received, including interference that may cause undesired operation.

NOTE: This equipment has been tested and found to comply with the limits for a Class B digital device, pursuant to Part 15 of the FCC Rules.

These limits are designed to provide reasonable protection against harmful interference in a residential installation. This equipment generates, uses, and can radiate radio frequency energy, and if not installed and used in accordance with the instructions, may cause harmful interference to radio communications. However, there is no guarantee that interference will not occur in a particular installation. If this equipment does cause harmful interference to radio or television reception, which can be determined by turning the equipment off and on, the user is encouraged to try to correct the interference by one or more of the following measures:

- Reorient or relocate the receiving antenna.
- Increase the separation between the equipment and receiver.
- Connect the equipment into an outlet on a circuit different from that to which the receiver is connected.
- Consult the dealer or an experienced radio/TV technician for help.

MOBILE WORKBENCH MAINTENANCE

- Always unplug and remove all cords before cleaning the mobile workbench.
- The mobile workbench may be cleaned with a mild detergent and water.
- The drawer slides and casters can be lubricated with high-quality bearing grease.
- Remove any grease or oil with a non-flammable cleaner.

REGISTERING YOUR PRODUCT

There are many benefits to registering your product. Find out more and register your product online at:

www.gladiatorgarageworks.com.

Consumers in Canada can call **1-800-807-6777**.

In the U.S.A. call **1-866-342-4089**.

GLADIATOR® MOBILE WORKBENCH WARRANTY

ATTACH YOUR RECEIPT HERE. PROOF OF PURCHASE IS REQUIRED TO OBTAIN WARRANTY SERVICE.

Please have the following information available when you call the Customer eXperience Center:

- Name, address and telephone number
- Model number and serial number
- A clear, detailed description of the problem
- Proof of purchase including dealer or retailer name and address

IF YOU NEED SERVICE:

1. Before contacting us to arrange service, please determine whether your product requires repair. Some questions can be addressed without service. Please take a few minutes to review the instructions or visit www.gladiatorgarageworks.com.
2. All warranty service is provided exclusively by our authorized Gladiator® Service Providers. In the U.S. and Canada, direct all requests for warranty service to:

Gladiator Customer eXperience Center

In the U.S.A., call 1-866-342-4089. In Canada, call 1-800-807-6777.

If outside the 50 United States or Canada, contact your authorized Gladiator dealer to determine whether another warranty applies.

ONE YEAR LIMITED WARRANTY

WHAT IS COVERED

ONE YEAR LIMITED WARRANTY ON WOOD TOP

For one year from the date of purchase, when this product is operated and maintained according to the instructions attached to or furnished with the product, Gladiator® will replace or repair the defective product or parts to correct defects in materials or workmanship.

THREE YEAR LIMITED WARRANTY ON POWERSTRIP

For three years from the date of purchase, when this product is operated and maintained according to the instructions attached to or furnished with the product, Gladiator® will replace or repair the defective product or parts to correct defects in materials or workmanship.

LIFETIME LIMITED WARRANTY ON MOBILE WORKBENCH

For the life of the product, when the Workbench is used and maintained according to the instructions attached to or furnished with the product, Gladiator will pay for repair or replacement of the defective product or parts to correct defects in materials or workmanship.

WHAT IS NOT COVERED

1. Service calls to correct the installation of any Gladiator® products or to instruct you on how to use or install them.
2. Damage resulting from improper handling or shipping of products, or products damaged by accident, misuse, abuse, fire, flood, improper installation, acts of God, neglect, corrosion, modification or mishandling.
3. Shipping or freight fees to deliver replacement products or to return defective products.
4. Repairs or replacement when your product is used in other than normal, single-family household use, such as a commercial environment or handled in any way inconsistent with the installation instructions included with the product.
5. Cosmetic damage including scratches, dings, dents or cracks that do not affect the structural or functional capability of the product.
6. Replacement parts or product for Gladiator® products operated outside the United States and Canada.
7. In Canada, travel or transportation expenses for customers who reside in remote areas.
8. Any labor costs during the limited warranty period.
9. Damage resulting from improper loading beyond the specified maximum weight capacity outlined in the assembly instructions provided with the product.
10. Surfaces damaged due to chemical interaction resulting in corrosion of paint or metal.
11. Any damage, splitting, cracking or warping of the wooden top past the first year.

The cost of repair or replacement under these excluded circumstances shall be borne by the customer.

DISCLAIMER OF IMPLIED WARRANTIES; LIMITATION OF REMEDIES

IMPLIED WARRANTIES, INCLUDING TO THE EXTENT APPLICABLE WARRANTIES OF MERCHANTABILITY OR FITNESS FOR A PARTICULAR PURPOSE, ARE EXCLUDED TO THE EXTENT LEGALLY PERMISSIBLE. ANY IMPLIED WARRANTIES THAT MAY BE IMPOSED BY LAW ARE LIMITED TO ONE YEAR, OR THE SHORTEST PERIOD ALLOWED BY LAW. SOME STATES AND PROVINCES DO NOT ALLOW LIMITATIONS OR EXCLUSIONS ON HOW LONG AN IMPLIED WARRANTY OF MERCHANTABILITY OR FITNESS LASTS, SO THE ABOVE LIMITATIONS OR EXCLUSIONS MAY NOT APPLY TO YOU. THIS WARRANTY GIVES YOU SPECIFIC LEGAL RIGHTS, AND YOU MAY ALSO HAVE OTHER RIGHTS WHICH VARY FROM STATE TO STATE OR PROVINCE TO PROVINCE.

Outside the 50 United States and Canada, this warranty does not apply. Contact your authorized Gladiator dealer to determine if another warranty applies.

If you need service, call the Gladiator Customer eXperience Center, **1-866-342-4089** (toll-free), from anywhere in the U.S.A. In Canada, contact your Whirlpool Canada LP designated service company or call **1-800-807-6777**.

In the United States, Gladiator means Whirlpool Corporation, Benton Harbor, Michigan 49022. In Canada, Gladiator means Whirlpool Canada LP, Mississauga, ON L5N 3A7.

Keep this book and your sales slip together for future reference. You must provide proof of purchase or installation date for in-warranty service.

Write down the following information about your Workbench to better help you obtain assistance or service if you ever need it. You will need to know your complete model number and serial number. You can find this information on the model and serial label located on the back of the product.

Dealer name _____

Address _____

Phone number _____

Model number _____

Serial number _____

Purchase date _____

SÉCURITÉ DE L'ÉTABLI MOBILE

Votre sécurité et celle des autres est très importante.

Nous donnons de nombreux messages de sécurité importants dans ce manuel et sur votre appareil ménager. Assurez-vous de toujours lire tous les messages de sécurité et de vous y conformer.



Voici le symbole d'alerte de sécurité.

Ce symbole d'alerte de sécurité vous signale les dangers potentiels de décès et de blessures graves à vous et à d'autres.

Tous les messages de sécurité suivront le symbole d'alerte de sécurité et le mot "DANGER" ou "AVERTISSEMENT". Ces mots signifient :

 **DANGER**

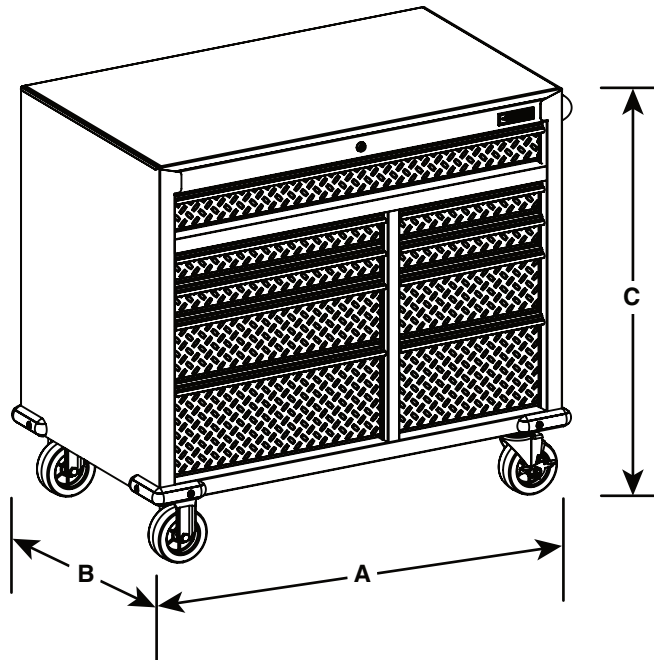
Risque possible de décès ou de blessure grave si vous ne suivez pas immédiatement les instructions.

 **AVERTISSEMENT**

Risque possible de décès ou de blessure grave si vous ne suivez pas les instructions.

Tous les messages de sécurité vous diront quel est le danger potentiel et vous disent comment réduire le risque de blessure et ce qui peut se produire en cas de non-respect des instructions.

DIMENSIONS



Modèle	GAMT41HWJG
A	41" (104 cm)
B	24,5" (62,3 cm)
C	38" (97 cm)

CONDITIONS D'UTILISATION DE L'ÉTABLI MOBILE

- Destiné à être utilisé dans un garage dans un endroit sec.
- Utilisez les verrous de la roulette lorsque vous ne le déplacez pas.
- La capacité de charge maximale est de 100 lb (45 kg) pour chaque tiroir.
- La capacité de charge maximale pour l'établi mobile est de 1500 lb (682 kg).

INSTRUCTIONS D'ASSEMBLAGE

OUTILLAGE ET PIÈCES

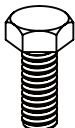
- Rassembler les outils et composants nécessaires avant d'entreprendre l'installation. Les pièces sont situées à l'intérieur de l'établi mobile.

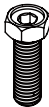


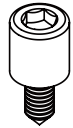
OUTILLAGE NÉCESSAIRE

- Clé double face 10 mm / 12 mm (incluse)
- Tournevis cruciforme
- Clé hexagonale

PIÈCES FOURNIES

- Établi Mobile
- Crochets de rangement pour cordon (2)
- Poignée
- Roulettes fixes (2)
- Roulettes pivotantes (2)
- Doublures de tiroir (9)
- Clés (2)
- Protège-coins (4)
- F1 - Boulons à tête hexagonale - M6 - 1,00 x 15 (4)
- F2 - Boulons à tête hexagonale - M8 - 1,25 x 25 (16)
- F3 - Vis cruciforme - M6 - 1,00 x 12 (4)
- F4 - Rondelles 6 mm (8)
- F5 - Vis hex x M6 (8)

F1		Boulons à tête hexagonale (M6 - 1,00 x 15) (4)
----	---	--

F2		Boulons à tête hexagonale (M8 - 1,25 x 25) (4)
F3		Vis cruciforme (M6 - 1,00 x 12) (16)
F4		Rondelles 6 mm (8)
F5		Vis hex (M6) (8)

DÉBALLER L'ÉTABLI MOBILE

⚠ AVERTISSEMENT

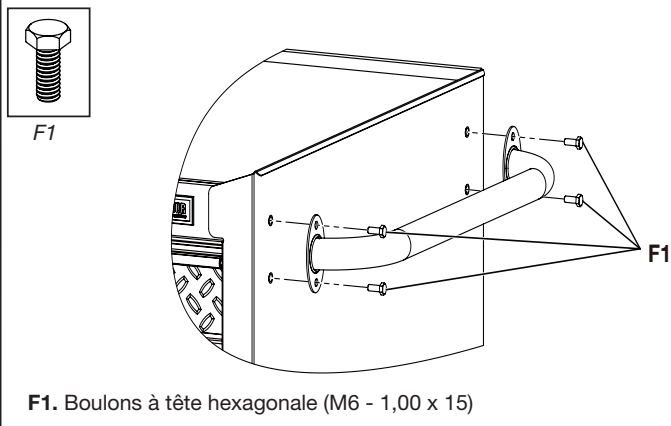
Risque du poids excessif

Utiliser deux ou plus de personnes pour déplacer et assembler l'établi.

Le non-respect de cette instruction peut causer une blessure au dos ou d'autre blessure.

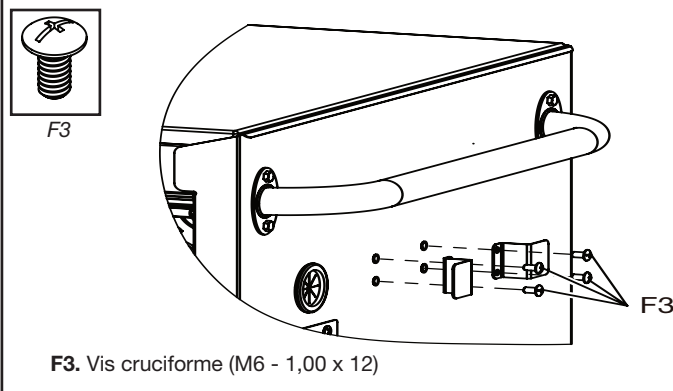
- Retirez l'emballage de l'établi mobile. Les pièces sont situées dans le tiroir. Vérifier le contenu. Voir "Pièces fournies".
- Mettez de côté l'emballage extérieur en carton pour l'utiliser pendant l'assemblage.
- Après l'assemblage, éliminez tous les matériaux d'emballage.

1. Montage de la Poignée



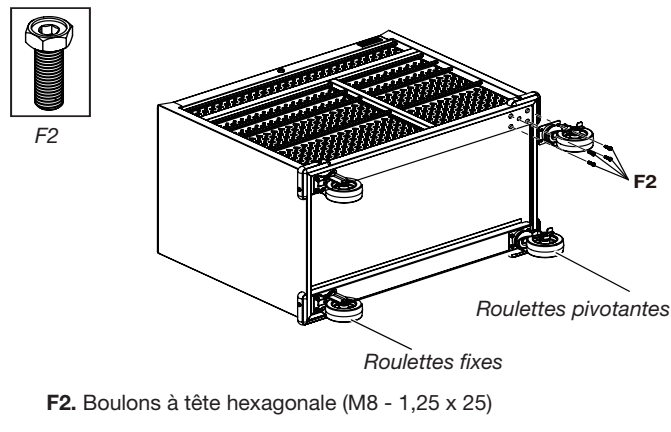
Positionnez la poignée par dessus les trous de l'établi mobile. Fixez avec les boulons à tête hexagonale (M6 - 1,00 x 15) (F1) (4) et serrez avec le clé 10 mm (inclus).

2. Installation des Crochets du Cordon d'Alimentation



Positionnez les crochets du cordon d'alimentation par dessus les trous d'établi mobile. Fixez avec les vis cruciforme (M6 - 1,00 x 12) (F3) (4). Serrer avec un tournevis cruciforme.

3. Montage des Roulettes



⚠ AVERTISSEMENT

Risque du poids excessif

Utiliser deux ou plus de personnes pour déplacer et assembler l'établi.

Le non-respect de cette instruction peut causer une blessure au dos ou d'autre blessure.

Enfoncez complètement tous les tiroirs et verrouillez-les à l'aide de la clé. À l'aide de deux personnes ou plus, posez l'armoire sur le dos, les tiroirs vers le haut. Protégez la finition de l'armoire en la posant sur l'emballage en carton. Fixez les roulettes pivotantes du même côté que la poignée avec les boulons à tête hexagonale (M8 - 1,25 x 25) (F2) (8) et serrez avec une clé de 12 mm (incluse). Répétez cette procédure pour les roulettes fixes sur le côté opposé de la poignée.

ASSEMBLAGE FINAL

⚠ AVERTISSEMENT

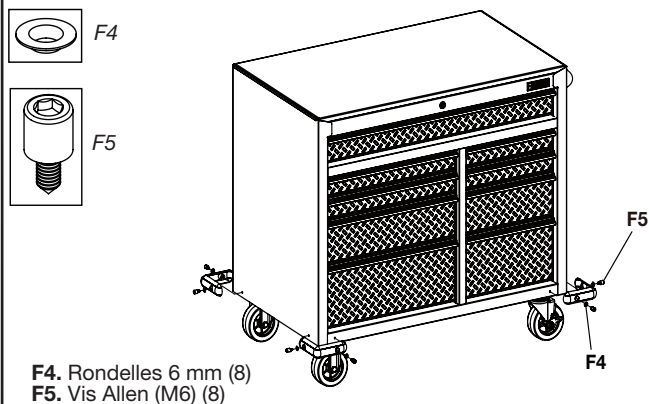
Risque du poids excessif

Utiliser deux ou plus de personnes pour déplacer et assembler l'établi.

Le non-respect de cette instruction peut causer une blessure au dos ou d'autre blessure.

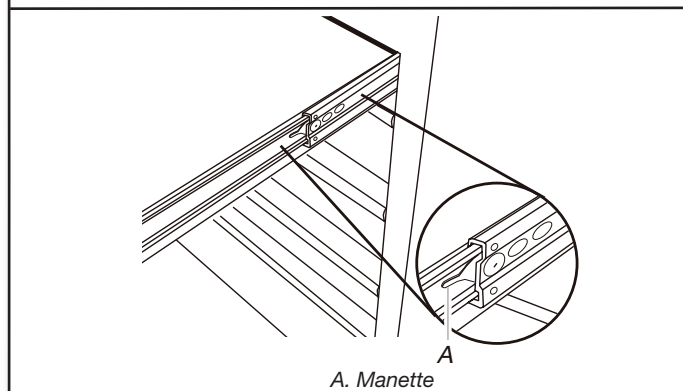
À deux personnes ou plus, soulevez l'établi mobile et placez-le sur les roues.

1. Installation des Protège-Coins



À l'aide des vis Allen de 6 mm (F4) (8) et des rondelles (F5) (8), fixer un protège-coin correspondant à chaque angle de l'établi mobile. Serrer complètement toutes les attaches de fixations.
REMARQUE : Pour éviter de détériorer le filetage des vis, ne pas serrer excessivement.

2. Utiliser, Enlever et Remettre en Place des Tiroirs



REMARQUE : La clé verrouille tous les tiroirs. Utiliser les doublures de tiroirs afin d'éviter d'égratigner ou d'endommager le revêtement des tiroirs.

ENLEVER LE TIROIR

Décharger le contenu du tiroir. Ouvrir le tiroir en position complètement ouverte. Appuyer sur la manette sur la glissière de droite et soulever la manette sur la glissière de gauche pour libérer le tiroir. Tirer le tiroir pour le sortir complètement.

REMETTRE LE TIROIR

Décharger le contenu du tiroir. Ouvrir le tiroir en le faisant glisser jusqu'à sa position d'ouverture maximale.

REMARQUE : Il est normal que le tiroir ferme étroitement la première fois après avoir été remis en place. Tirer le tiroir pour le sortir complètement.

PRISE DE COURANT AVEC USB

AVERTISSEMENT



Risque de choc électrique

Brancher sur une prise à 3 alvéoles reliée à la terre.

Ne pas enlever la broche de liaison à la terre.

Ne pas utiliser un adaptateur.

Ne pas utiliser un câble de rallonge.

Le non-respect de ces instructions peut causer un décès, un incendie ou un choc électrique.

- Le cordon d'alimentation est expédié à l'extérieur du côté droit et doit être acheminé via l'oeillet en caoutchouc situé au-dessus de la barre d'alimentation.
- Retirez les matériaux d'emballage du cordon d'alimentation et tirez complètement la fiche du cordon d'alimentation à travers l'oeillet.
- N'insérez pas de cordon d'alimentation dans un trou sans oeillet en caoutchouc.
- Débranchez toujours le cordon d'alimentation lors du déplacement ou du nettoyage de l'établi.
- L'établi comprend des crochets pour ranger le cordon d'alimentation.
- La barre d'alimentation possède un interrupteur marche / arrêt doté d'un protecteur de surcharge évalué à 15 A. Ne surchargez pas la barre d'alimentation.
- Les ports USB peuvent être utilisés pour charger des téléphones cellulaires et alimenter des périphériques USB.

REMARQUE : Ce dispositif est conforme à la partie 15 des règles de la FCC. Son fonctionnement est soumis aux conditions suivantes :

1. Cet appareil ne doit produire aucun brouillage préjudiciable et
2. Cet appareil doit fonctionner en dépit de tout brouillage capté, y compris le brouillage pouvant mener à un fonctionnement non désiré.

REMARQUE : Cet équipement a été testé et déclaré conforme aux limites des dispositifs numériques de classe B, en vertu de la section 15 des réglementations de la FCC.

Ces limites ont pour but de fournir une protection raisonnable contre les interférences nuisibles dans le cadre d'une installation résidentielle. Cet équipement génère, utilise et peut émettre de l'énergie de radiofréquence. Il est donc recommandé de l'installer et de l'utiliser conformément aux instructions afin d'éviter toute interférence nuisible aux communications radio. Cependant, il n'existe aucune garantie selon laquelle des interférences ne se produiront pas dans le cas d'une installation spécifique. Si cet appareil provoque des interférences nuisibles pour les réceptions radio et télévisées, ce qui peut être déterminé en l'éteignant puis en le rallumant, il est conseillé d'y remédier en suivant l'une ou plusieurs des mesures suivantes :

- Réorienter ou repositionner l'antenne réceptrice.
- Augmenter l'espace entre l'équipement et le récepteur.
- Brancher l'équipement dans une prise sur un circuit différent de celui sur lequel le récepteur est connecté.
- Consulter le concessionnaire ou un technicien radio/TV expérimenté pour obtenir de l'aide.

MAINTENANCE DE L'ÉTABLI MOBILE

- Toujours débrancher tous les câbles avant de nettoyer l'établi.
- Le plan de travail peut être nettoyé avec un détergent doux et de l'eau.
- Les glissières et les roues du tiroir peuvent être lubrifiées avec de la graisse pour roulement de haute qualité.
- Enlevez la graisse et l'huile avec un liquide de nettoyage standard non inflammable.

ENREGISTREMENT DE VOTRE PRODUIT

L'enregistrement de votre produit présente de nombreux avantages. En savoir plus et enregistrer votre produit en ligne sur : www.gladiatorgarageworks.com.

Les consommateurs canadiens peuvent composer le **1-800-807-6777**.

Aux É.U. téléphoner au **1-866-342-4089**.

GARANTIE DE L'ÉTABLI MOBILE GLADIATOR®

ATTACHEZ ICI VOTRE REÇU DE VENTE. UNE PREUVE D'ACHAT EST OBLIGATOIRE POUR OBTENIR L'APPLICATION DE LA GARANTIE.

Lorsque vous appelez le centre eXperience à la clientèle, veuillez garder à disposition les renseignements suivants :

- Nom, adresse et numéro de téléphone
- Numéros de modèle et de série
- Une description claire et détaillée du problème rencontré
- Une preuve d'achat incluant le nom et l'adresse du marchand ou du détaillant

SI VOUS AVEZ BESOIN DE SERVICE :

1. Avant de nous contacter pour obtenir un dépannage, veuillez déterminer si des réparations sont nécessaires pour votre produit. Certains problèmes peuvent être résolus sans intervention de dépannage. Veuillez prendre quelques minutes pour passer en revue les instructions ou visiter www.gladiatorgarageworks.com.
2. Tout service sous garantie doit être effectué exclusivement par nos fournisseurs de dépannage autorisés Gladiator®. Aux É.-U. et au Canada, dirigez toutes vos demandes de service sous garantie au :

Centre eXperience à la clientèle Gladiator

Aux États-Unis, composer le 1-866-342-4089. Au Canada, composer le 1-800-807-6777.

Si vous résidez à l'extérieur du Canada et des 50 États des États-Unis, contactez votre marchand Gladiator® autorisé pour déterminer si une autre garantie s'applique.

GARANTIE LIMITÉE D'UN AN

CE QUI EST COUVERT

GARANTIE LIMITÉE D'UN AN SUR LE DESSUS EN BOIS

Pendant un an à compter de la date d'achat, lorsque l'établi mobile est utilisé et entretenu conformément aux instructions fournies avec le produit ou fournies avec celui-ci, Gladiator® paiera la réparation ou le remplacement du produit ou des pièces défectueuses afin de corriger les défauts du produit du matériel ou de la fabrication.

GARANTIE LIMITÉE DE TROIS ANS SUR LA PRISE DE COURANT

Pendant les trois années suivant la date d'achat, lorsque l'établi mobile est utilisé et entretenu conformément aux instructions jointes au produit ou fournies avec celui-ci, Gladiator® paiera la réparation ou le remplacement du produit ou des pièces défectueuses afin de corriger les défauts de l'appareil du matériel ou de la fabrication.

GARANTIE LIMITÉE À VIE SUR L'ÉTABLI

Pendant toute la vie du produit, lorsque l'établi mobile est utilisée et entretenue conformément aux instructions jointes à ou fournies avec le produit, Gladiator® paiera pour la réparation ou le remplacement du produit ou des pièces défectueuses pour corriger les vices de matériaux ou de fabrication.

CE QUI N'EST PAS COUVERT

1. Les appels de service pour rectifier l'installation de tout produit Gladiator® ou pour expliquer comment l'utiliser ou l'installer.
2. Les dommages causés par une manipulation ou une expédition des produits incorrecte, ou les produits endommagés par accident, mésusage, abus, incendie, inondation, installation incorrecte, actes de Dieu, négligence, corrosion, modification ou mauvaise manipulation.
3. Les frais d'expédition ou de transport pour livrer des produits de rechange ou retourner des produits défectueux.
4. Les réparations ou remplacements lorsque le produit est utilisé autrement que dans une utilisation normale, unifamiliale, comme dans un environnement commercial, ou manipulé d'une façon non conforme aux instructions d'installation fournies avec le produit.
5. Les défauts d'apparence - éraflures, traces de choc ou fissures - n'affectant pas la fonctionnalité ou la résistance structurale du produit.
6. Les pièces ou le produit de rechange pour les produits Gladiator® qui sont utilisés en dehors des États-Unis ou du Canada.
7. Au Canada, les frais de déplacement ou de transport pour les clients qui habitent dans des régions éloignées.
8. Tous les frais de main-d'œuvre encourus au cours de la période de garantie limitée.
9. Les dommages causés par un chargement incorrect au-delà de la capacité de poids maximum spécifiée dans les instructions d'assemblage fournies avec le produit.
10. Les surfaces endommagées par une interaction chimique causant la corrosion de la peinture ou du métal.
11. Tout dommage, scission, fissuration ou déformation du plateau en bois après la première année.

Le coût d'une réparation ou d'un remplacement dans le cadre de ces circonstances exclues est à la charge du client.

CLAUSE D'EXONÉRATION DE RESPONSABILITÉ AU TITRE DES GARANTIES IMPLICITES; LIMITATION DES RECOURS

LES GARANTIES IMPLICITES, Y COMPRIS LES GARANTIES PROLONGÉES APPLICABLES DE QUALITÉ MARCHANDE ET D'APTITUDE À UN USAGE PARTICULIER, SONT EXCLUES DE LA PRÉSENTE GARANTIE, ET CE DANS LES LIMITES AUTORISÉES PAR LA LOI. TOUTE GARANTIE IMPLICITE POUVANT ÊTRE IMPOSÉE PAR LA LOI EST LIMITÉE À UN AN, OU À LA PLUS COURTE PÉRIODE AUTORISÉE PAR LA LOI. CERTAINES JURIDICTIONS NE PERMETTENT PAS LA LIMITATION OU L'EXCLUSION DE LA DURÉE DE VALIDITÉ DES GARANTIES IMPLICITES DE QUALITÉ MARCHANDE OU D'APTITUDE À UN USAGE PARTICULIER; PAR CONSÉQUENT LES LIMITATIONS OU EXCLUSIONS STIPULÉES DANS LES PRÉSENTES PEUVENT NE PAS VOUS ÊTRE APPLICABLES. CETTE GARANTIE VOUS CONFÈRE DES DROITS JURIDIQUES SPÉCIFIQUES ET VOUS POUVEZ ÉGALEMENT JOUIR D'AUTRES DROITS QUI PEUVENT VARIER D'UN ÉTAT À L'AUTRE OU D'UNE PROVINCE À L'AUTRE.

À l'extérieur du Canada et des 50 États des États-Unis, cette garantie ne s'applique pas. Contacter votre marchand autorisé pour déterminer si une autre garantie s'applique.

Si vous avez besoin de service, appelez le Centre pour l'eXpérience de la clientèle de Gladiator® au **1-866-342-4089** (sans frais), de n'importe où aux É.-U. Au Canada, contactez votre compagnie de service désignée par Whirlpool Canada LP ou composez le **1-800-807-6777**.

Aux États-Unis, Gladiator correspond à Whirlpool Corporation, Benton Harbor, Michigan 49022. Au Canada, Gladiator® correspond à Whirlpool Canada LP, Mississauga, ON L5N 3A7.

Conservez ce manuel et votre reçu de vente ensemble pour référence ultérieure. Pour le service sous garantie, vous devez présenter un document prouvant la date d'achat ou d'installation.

Ecrivez les informations suivantes sur votre produit Gladiator pour mieux vous aider à obtenir de l'assistance ou un service en cas de besoin. Vous aurez besoin de connaître votre numéro de modèle complet et votre numéro de série. Vous pouvez trouver ces informations sur le modèle et l'étiquette de série située à l'arrière du produit.

Nom du marchand _____

Adresse _____

Numéro de téléphone _____

Numéro de modèle _____

Numéro de série _____

Date d'achat _____

SEGURIDAD DEL BANCO DE TRABAJO MÓVIL

Su seguridad y la seguridad de los demás es muy importante.

Hemos incluido muchos mensajes importantes de seguridad en este manual y en su electrodoméstico. Lea y obedezca siempre todos los mensajes de seguridad.



Este es el símbolo de alerta de seguridad.

Este símbolo le llama la atención sobre peligros potenciales que pueden ocasionar la muerte o una lesión a usted y a los demás.

Todos los mensajes de seguridad irán a continuación del símbolo de advertencia de seguridad y de la palabra "PELIGRO" o "ADVERTENCIA". Estas palabras significan:

 **PELIGRO**

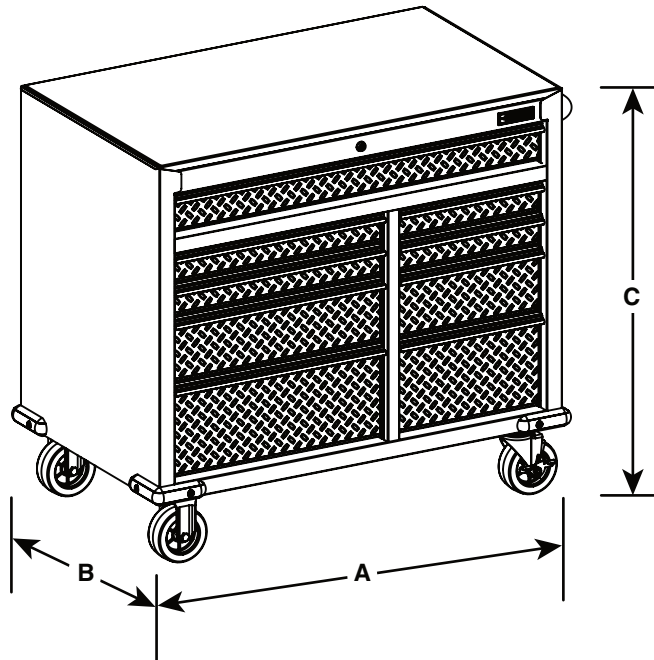
Si no sigue las instrucciones de inmediato, usted puede morir o sufrir una lesión grave.

 **ADVERTENCIA**

Si no sigue las instrucciones, usted puede morir o sufrir una lesión grave.

Todos los mensajes de seguridad le dirán el peligro potencial, le dirán cómo reducir las posibilidades de sufrir una lesión y lo que puede suceder si no se siguen las instrucciones.

DIMENSIONES



Modelo	GAMT41HWJG
A	41" (104 cm)
B	24,5" (62,3 cm)
C	38" (97 cm)

REQUISITOS DE USO DEL BANCO DE TRABAJO MÓVIL

- Para uso en garaje en un lugar seco.
- Utilice los bloqueos de ruedas cuando no se mueva.
- El límite de peso máximo es de 100 libras (45 kg) para el cajón.
- El límite de peso máximo es de 1500 libras (682 kg) para el banco de trabajo móvil.

INSTRUCCIONES DE ENSAMBLAJE

HERRAMIENTAS Y PIEZAS



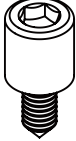
- Reúna todas las herramientas y piezas necesarias antes de comenzar el ensamblaje. Las piezas están ubicadas dentro del banco de trabajo móvil.

HERRAMIENTAS NECESARIAS

- Llave de 10 mm / 12 mm de doble cara (incluida)
- Destornillador Phillips
- Llave hexagonal

PIEZAS SUMINISTRADAS

- Banco de Trabajo Móvil
- Ganchos de almacenamiento de cable (2)
- Manija de empuje
- Ruedas fijas (2)
- Ruedas giratorias (2)
- Revestimientos de cajones (9)
- Llaves (2)
- Parachoques (4)
- F1 - Pernos de cabeza hexagonal - M6 - 1,00 x 15 (4)
- F2 - Pernos de cabeza hexagonal - M8 - 1,25 x 25 (16)
- F3 - Tornillo Phillips de cabeza plana - M6 - 1,00 x 12 (4)
- F4 - Arandelas 6 mm (8)
- F5 - Pernos hex - M6 (8)

F3		Tornillo Phillips de cabeza plana (M6 - 1,00 x 12) (4)
F4		Arandelas 6 mm (8)
F5		Pernos hex (M6) (8)

DESEMPAQUE EL BANCO DE TRABAJO MÓVIL

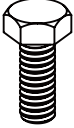
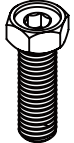
⚠ ADVERTENCIA

Peligro de Peso Excesivo

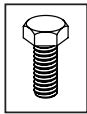
Use dos o más personas para mover y ensamblar la mesa de trabajo.

No seguir esta instrucción puede ocasionar una lesión en la espalda u otro tipo de lesiones.

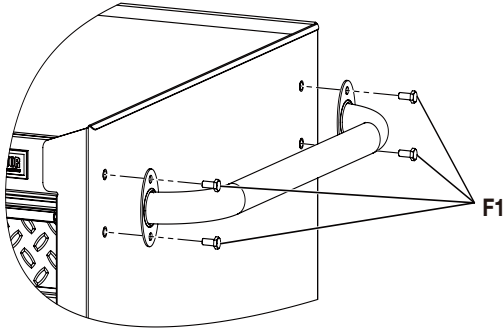
- Retire el embalaje del banco de trabajo móvil. Las piezas están ubicadas dentro del cajón de la mesa de trabajo. Verificar contenidos.
- Deje a un lado el paquete de cartón exterior para usar durante el montaje.
- Después del montaje, deseche todos los materiales de embalaje correctamente.

F1		Pernos de cabeza hexagonal (M6 - 1,00 x 15) (4)
F2		Pernos de cabeza hexagonal (M8 - 1,25 x 25) (16)

1. Cómo Montar la Manija



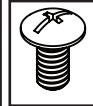
F1



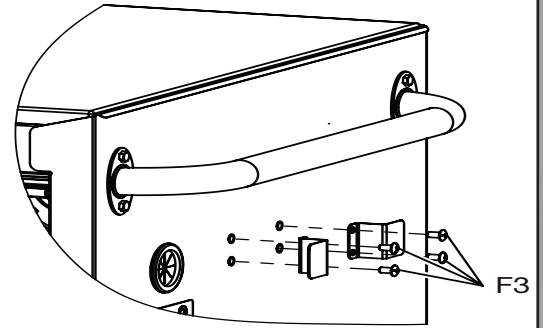
F1. Pernos de cabeza hexagonal (M6 - 1,00 x 15)

Coloca la manija sobre los orificios en el Banco de Trabajo Móvil. Adjuntar con los pernos de cabeza hexagonal (M6 - 1,00 x 15) (F1) (4) y apriete con un llave hex de 10 mm (incluido).

2. Cómo Montar del Gancho de Almacenamiento



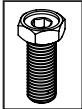
F3



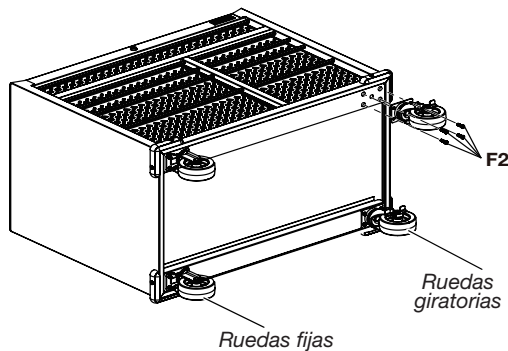
F3. Tornillo Phillips de cabeza plana (M6-1.00 x 12)

Coloca el gancho sobre los orificios en el banco de trabajo móvil. Adjuntar con los tornillos Phillips de cabeza plana (M6 - 1,00 x 12) (F3) (4). Apriete con un destornillador Phillips.

3. Cómo Montar las Ruedas



F2



F2. Pernos de cabeza hexagonal (M8 - 1,25 x 25)

Empuje completamente todos los cajones y asegúrelos con la llave. Con dos o más personas, coloque el gabinete sobre su parte posterior con los cajones mirando hacia arriba. Proteja el acabado del gabinete colocándolo sobre el embalaje de cartón. Sujeta ruedas giratorias al gabinete del mismo lado que la manija con los pernos de cabeza hexagonal (M8 - 1,25 x 25) (F2) (8) y apretar con una llave de 12 mm (incluido). Sujeta ruedas fijas en el lado opuesto del gabinete con los pernos de cabeza hexagonal (M8 - 1,25 x 25) (F2) (8) y apretar con una llave de 12 mm (incluido).

⚠ ADVERTENCIA

Peligro de Peso Excesivo

Use dos o más personas para mover y ensamblar la mesa de trabajo.

No seguir esta instrucción puede ocasionar una lesión en la espalda u otro tipo de lesiones.

MONTAJE FINAL

⚠ ADVERTENCIA

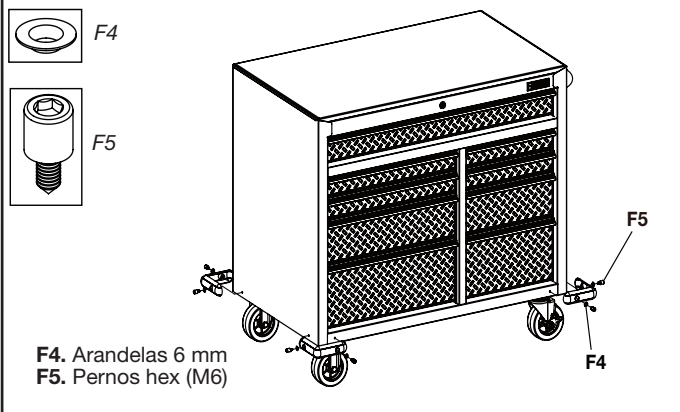
Peligro de Peso Excesivo

Use dos o más personas para mover y ensamblar la mesa de trabajo.

No seguir esta instrucción puede ocasionar una lesión en la espalda u otro tipo de lesiones.

Con dos o más personas, levante el Banco De Trabajo Móvil y colóquela sobre las ruedas.

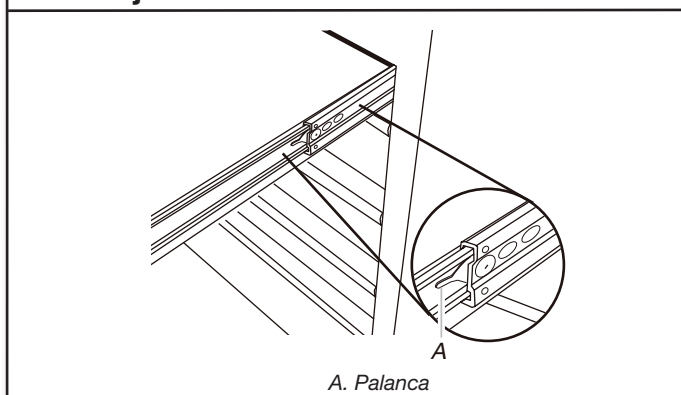
1. Instalación de Parachoques



Sujete un parachoques correspondiente a cada esquina del banco de trabajo usando pernos Allen de 6 mm (F5) (8) y arandelas (F4) (8). Apriete completamente todos los sujetadores.

NOTA: No apriete demasiado para evitar que se pelen los pernos.

2. Uso, Remoción y Reemplazo de los Cajones



NOTA: La llave asegura todos los cajones. Use los revestimientos para cajones para evitar que se rasen o se dañe el acabado de los cajones.

CÓMO QUITAR EL CAJÓN

Descargue el contenido del cajón. Deslice el cajón completamente hacia afuera. Presione hacia abajo la palanca sobre el riel del lado derecho y levante la palanca en el riel del lado izquierdo para liberar el cajón. Jale el resto del cajón completamente hacia fuera.

CÓMO VOLVER A COLOCAR EL CAJÓN

Alinee las guías del cajón con los rieles receptores. Sostenga firmemente los rieles receptores e inserte la guía del cajón.

NOTA: Es normal que el cajón se cierre de manera ajustada la primera vez después de haber sido quitado. Empuje el cajón completamente hacia dentro.

TOMA DE CORRIENTE CON USB

⚠️ ADVERTENCIA



Peligro de Choque Eléctrico

Conecte a un contacto de pared de conexión a tierra de 3 terminales.

No quite la terminal de conexión a tierra.

No use un adaptador.

No use un cable eléctrico de extensión.

No seguir estas instrucciones puede ocasionar la muerte, incendio o choque eléctrico.

- El cable de alimentación se envía fuera del lado derecho de la unidad y se debe enrutar a través del ojal de goma, que se encuentra por encima de la regleta de alimentación.
- Retire el material de embalaje del cable de alimentación y tire del cable de alimentación por completo a través del ojal.
- No inserte un cable de alimentación a través de un orificio sin una arandela de goma.
- Siempre desenchufe el cable de alimentación cuando mueva o limpie el banco de trabajo.
- El banco trabajo incluye ganchos para almacenar el cable de alimentación.
- La regleta de alimentación tiene un interruptor de encendido / apagado que tiene un protector de sobrecarga clasificado para 15 A. No sobrecargue la regleta de alimentación.
- Los puertos USB pueden usarse para cargar teléfonos celulares y alimentar dispositivos USB.

NOTA: Este dispositivo satisface la parte 15 del reglamento FCC. Su utilización está sujeta a las siguientes dos condiciones:

1. Este dispositivo no puede causar interferencia dañina, y
2. Este dispositivo debe aceptar cualquier interferencia recibida incluyendo interferencias que puedan causar una operación no deseada.

NOTA: Este equipo ha sido probado y se ha encontrado en cumplimiento con los límites correspondientes para una dispositivo digital de la Clase B, conforme a la Parte 15 de las Reglas de la FCC.

Estos límites están diseñados para brindar una protección razonable contra la interferencia dañina en una instalación residencial. Este equipo genera, usa y puede irradiar energía de radiofrecuencia y, si no se instala y usa conforme a las instrucciones, puede causar interferencia dañina a las comunicaciones de radio. Sin embargo, no existe garantía de que no ocurra interferencia en una instalación en particular. Si este equipo efectivamente causa interferencia dañina a la recepción de radio o televisión, lo cual puede determinarse apagando y encendiendo el equipo, se recomienda al usuario que trate de corregir la interferencia realizando uno o varios de los siguientes pasos:

- Cambiar de dirección o de lugar la antenna receptora.
- Aumentar la separación entre el equipo y el receptor.
- Conectar el equipo en un tomacorriente en un circuito diferente de donde esté conectado el receptor.
- Consulte al concesionario o a un técnico de radio/TV con experiencia para que le ayude.

MANTENIMIENTO DEL BANCO DE TRABAJO MÓVIL

- Siempre desenchufe y retire todos los cables antes de limpiar el banco de trabajo.
- El banco de trabajo se puede limpiar con un detergente suave y agua.
- Las correderas de los cajones y las ruedas pueden ser lubricadas con grasa de alta calidad para cojinetes.
- Quita la grasa y el aceite con un fluido de limpieza estándar no inflamable.

CÓMO REGISTRAR EL PRODUCTO

Hay muchos beneficios al registrar su producto. Obtenga más información y registre su producto en línea en:

www.gliadatorgarageworks.com.

Los consumidores en Canadá pueden llamar al **1-800-807-6777**.

En EE.UU. llame al: **1-866-342-4089**.

GARANTÍA DEL BANCO DE TRABAJO MÓVIL GLADIATOR®

ADJUNTE SU RECIBO AQUÍ. SE REQUIERE UN COMPROBANTE DE COMPRA PARA OBTENER SERVICIO BAJO LA GARANTÍA.

Tenga disponible la siguiente información cuando llame al Centro para la eXperiencia del cliente:

- Nombre, dirección y número de teléfono
- Número de modelo y de serie
- Una descripción clara y detallada de problema
- Comprobante de compra que incluya nombre y dirección del distribuidor o minorista

SI NECESITA SERVICIO:

1. Antes de contactarnos para organizar la visita del servicio técnico, determine si su producto requiere reparación. Algunas cuestiones pueden resolverse sin servicio técnico. Tómese unos minutos para revisar las instrucciones o visite www.gladiatorgarageworks.com.
2. Todo servicio técnico dentro de la garantía es provisto exclusivamente por nuestros Proveedores de Servicio Técnico autorizados de Gladiator®. En EE. UU. y Canadá, dirija todas las solicitudes de servicio técnico dentro de la garantía a:

Centro para la eXperiencia del cliente de Gladiator

En los EE. UU., llame al 1-866-342-4089. En Canadá, llame al 1-800-807-6777.

Si se encuentra fuera de los 50 estados de Estados Unidos o de Canadá, póngase en contacto con su distribuidor autorizado de Gladiator® para determinar si corresponde otra garantía.

GARANTÍA LIMITADA DE UN AÑO

QUÉ ESTÁ CUBIERTO

QUÉ NO ESTÁ CUBIERTO

GARANTÍA LIMITADA DE UN AÑO PARA LA TAPA DE MADERA

Durante un año a partir de la fecha de compra, cuando este producto un uso y mantenimiento de conformidad con las instrucciones adjuntas o provistas con el producto, Gladiator® pagará por el reemplazo o la reparación del producto defectuoso o las piezas para corregir defectos en los materiales o en la mano de obra.

GARANTÍA LIMITADA DE TRES AÑOS PARA EL TOMACORRIENTE

Durante tres años a partir de la fecha de compra, cuando este producto un uso y mantenimiento de conformidad con las instrucciones adjuntas o provistas con el producto, Gladiator® pagará por el reemplazo o la reparación del producto defectuoso o las piezas para corregir defectos en los materiales o en la mano de obra.

GARANTÍA LIMITADA DE POR VIDA PARA EL BANCO DE TRABAJO

Durante la vida útil del producto, siempre y cuando se Banco de Trabajo Móvil un uso y mantenimiento de conformidad con las instrucciones adjuntas o provistas con el producto, Gladiator® pagará por el reemplazo o la reparación del producto defectuoso o las piezas para corregir defectos en los materiales o en la mano de obra.

1. Visitas de servicio técnico para corregir la instalación de cualquier producto de Gladiator® o para enseñarle a usarlo o instalarlo.
2. Daños causados por mal manejo o envío de productos, o productos dañados por accidente, uso indebido, abuso, incendio, inundación, instalación incorrecta, actos fortuitos, negligencia, corrosión, modificación o maltrato.
3. Costo de envío o flete para entregar productos de repuesto o para devolver productos defectuosos.
4. Reparaciones o reemplazo cuando su producto ha sido empleado para fines ajenos al uso doméstico normal en la casa de una familia, tal como uso en un lugar comercial o se haya tratado de alguna manera en contra de las instrucciones de instalación incluidas con el producto.
5. Daños estéticos incluyendo rayaduras, golpes, abolladuras o rajaduras que no afecten la capacidad estructural o de funcionamiento del producto.
6. Piezas o productos de repuesto para productos Gladiator® que se empleen fuera de los Estados Unidos o Canadá.
7. En Canadá, gastos de viaje o de transporte para clientes que residen en zonas distantes.
8. Cualquier gasto de mano de obra durante el período de la garantía limitada.
9. Daños causados por la carga indebida que exceda del peso máximo especificado que se detalla en las instrucciones de ensamblaje provistas con el producto.
10. Superficies dañadas debido a la interacción química que dé como resultado la corrosión de pintura o de metal.
11. Cualquier daño, división, grietas o deformaciones de la parte superior de madera después del primer año.

El costo de la reparación o del reemplazo bajo estas circunstancias de exclusión correrá por cuenta del cliente.

EXCLUSIÓN DE GARANTÍAS IMPLÍCITAS; LIMITACIÓN DE RECURSOS

LAS GARANTÍAS IMPLÍCITAS, INCLUYENDO EN LA MEDIDA QUE CORRESPONDA LAS GARANTÍAS DE COMERCIALIZACIÓN O DE CAPACIDAD PARA UN PROPÓSITO PARTICULAR, SON EXCLUIDAS EN LA MEDIDA EN QUE SEA LEGALMENTE PERMISIBLE. TODA GARANTÍA IMPLÍCITA QUE SEA IMPUESTA POR LEY SERÁ LIMITADA A UN AÑO O AL PERÍODO MÁS CORTO PERMITIDO POR LEY. ALGUNOS ESTADOS Y PROVINCIAS NO PERMITEN LAS LIMITACIONES O EXCLUSIONES ACERCA DE CUÁNTO DEBE DURAR UNA GARANTÍA IMPLÍCITA DE COMERCIALIZACIÓN O CAPACIDAD, DE MODO QUE LAS LIMITACIONES O EXCLUSIONES ARRIBA MENCIONADAS PUEDEN NO APLICARSE EN SU CASO. ESTA GARANTÍA LE OTORGA DERECHOS LEGALES ESPECÍFICOS, Y ES POSIBLE QUE USTED TENGA TAMBIÉN OTROS DERECHOS, LOS CUALES VARIAN DE UN ESTADO A OTRO O DE UNA PROVINCIA A OTRA.

Esta garantía no tiene vigor fuera de los cincuenta Estados Unidos y Canadá. Póngase en contacto con el distribuidor autorizado de Gladiator® para determinar si corresponde otra garantía.

Si necesita servicio llame al Centro para la experiencia del cliente de Gladiator® al **1-866-342-4089** (gratuito) desde cualquier lugar de los EE.UU. En Canadá, póngase en contacto con su compañía de servicio designada por Whirlpool Canada LP o llame al **1-800-807-6777**.

En los EE.UU., Gladiator® significa Whirlpool Corporation, Benton Harbor, Michigan 49022. En Canadá, Gladiator® significa Whirlpool Canada LP, Mississauga, ON L5N 3A7.

Guarde este libro y su comprobante de venta juntos para referencia futura. Usted deberá proporcionar evidencia de la compra o una fecha de instalación para obtener servicio bajo la garantía.

Escriba la siguiente información sobre su producto Gladiator para ayudarlo mejor a obtener asistencia o servicio si alguna vez lo necesita. Necesitará saber su número de modelo completo y número de serie. Puede encontrar esta información en el modelo y la etiqueta de serie ubicada en la parte posterior del producto.

Nombre del distribuidor _____

Dirección _____

Número de teléfono _____

Número de modelo _____

Número de serie _____

Fecha de compra _____