

CITY 212[®]

MIRROR INSTALLATION INSTRUCTIONS

Complement your purchase with other fine accessories from GINGER[®].

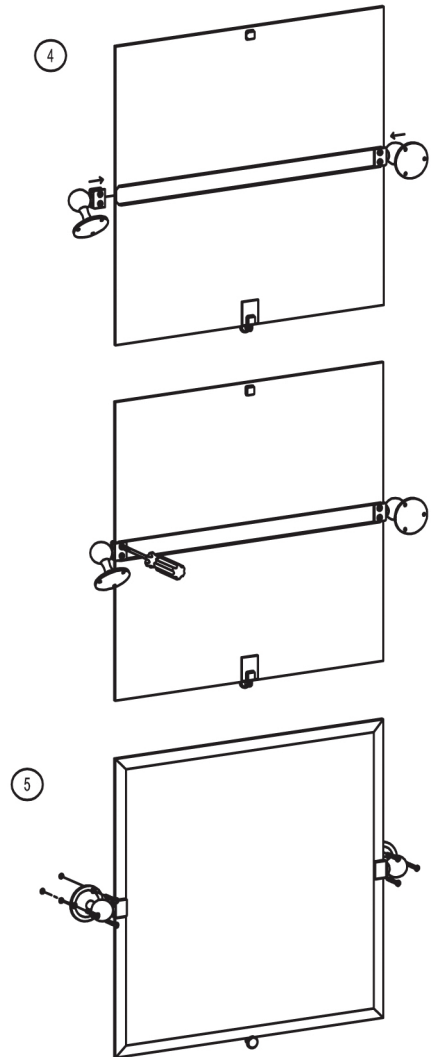
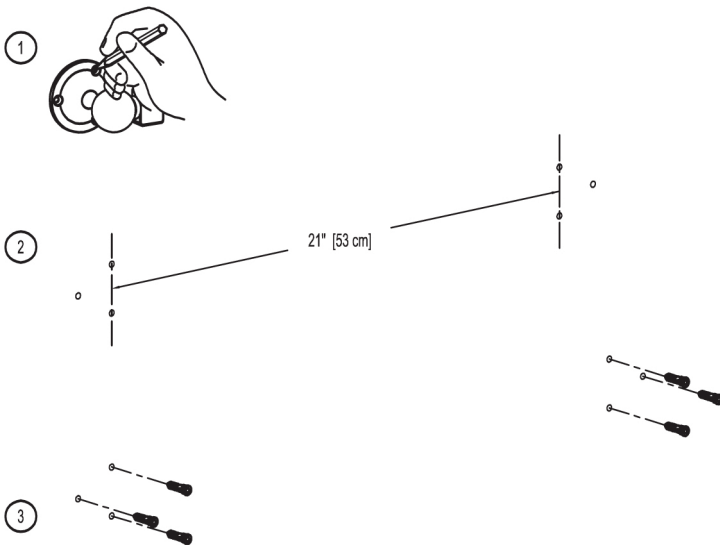
CITY MIRROR

MODELS: 0141N, 0141NH, 0142N & 0142NH

It is recommended that the mirror mounting screws be installed into walls with a solid wood backing. If this is not possible, wall anchors are provided for use in hollow, tiled or masonry walls.

INSTALLATION INSTRUCTIONS

- Using the posts as templates, mark the position of the screw holes on the wall.
- Inside pairs of screw holes should be on 21" [53 cm] centers. If using the provided wall anchors, drill 3/16" [5 mm] holes on marks if installation is on drywall. Drill 1/4" [6 mm] holes if installation is on tile or masonry.
- Tap wall anchors in flush if used.
- Slide mounting bracket over glass and support channel and tighten set screws. (DO NOT OVER TIGHTEN)
- Mount mirror in position with provided mounting screws



GINGER
Luxury For Your Lifestyle[™]

2001 CARNEGIE AVENUE
SANTA ANA, CA 92705
949-417-5207
www.gingerco.com