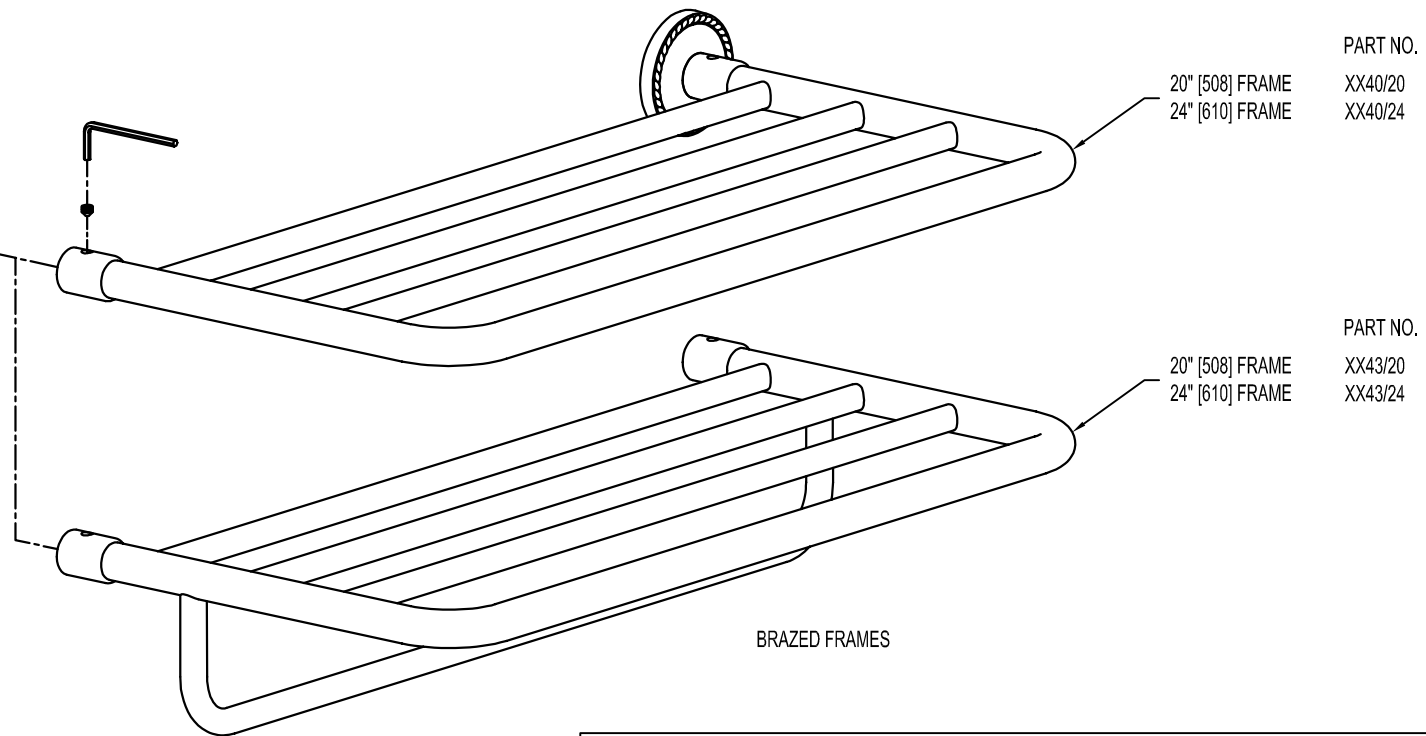


154B MOUNTING KIT INCLUDES

- (2) MOUNTING BRACKETS
- (6) WALL ANCHORS
- (6) NO. 10 TAP SCREWS
- (2) ROSETTES
- (2) M6 SET SCREWS
- (1) 3 MM HEX KEY



NOTE: COMPLETE SHELF REQUIRES (1) MOUNTING KIT AND (1) FRAME

FINISHES: 3-POLISHED BRASS, 14-POLISHED NICKEL, 15-SATIN NICKEL, 15A-ANT. NICKEL, 26-POLISHED CHROME, 26/3-COMBO		WEIGHT: 4 LBS. 12 OZ. [2.2 Kg.]	
MATERIAL: FORGED BRASS ROSETTE, BRASS TUBE, STAINLESS STEEL MOUNTING HARDWARE			
PART NO. 154B + FRAME	HOTEL SHELF		
DATE: 30.MAY.01	REV.	SCALE 1:4	CANTERBURY

