

CHELSEA CANTERBURY

INSTALLATION
INSTRUCTIONS

for

TRADITIONAL
SHELF

*Complement
your purchase
with these
fine accessories
also from
GINGER®:*

Towel Bars

Towel Rings

Toilet Tissue Holders

Hooks

Soap Dishes

Tumbler Holders

Toiletry Shelves

Grab Bars

Mirrors

Lights

Bud Vases

Hotel Shelves

Shower Curtain Rods

Soap & Bottle Baskets

Cabinet Hardware



460-N Greenway Industrial Drive
Fort Mill, SC 29708

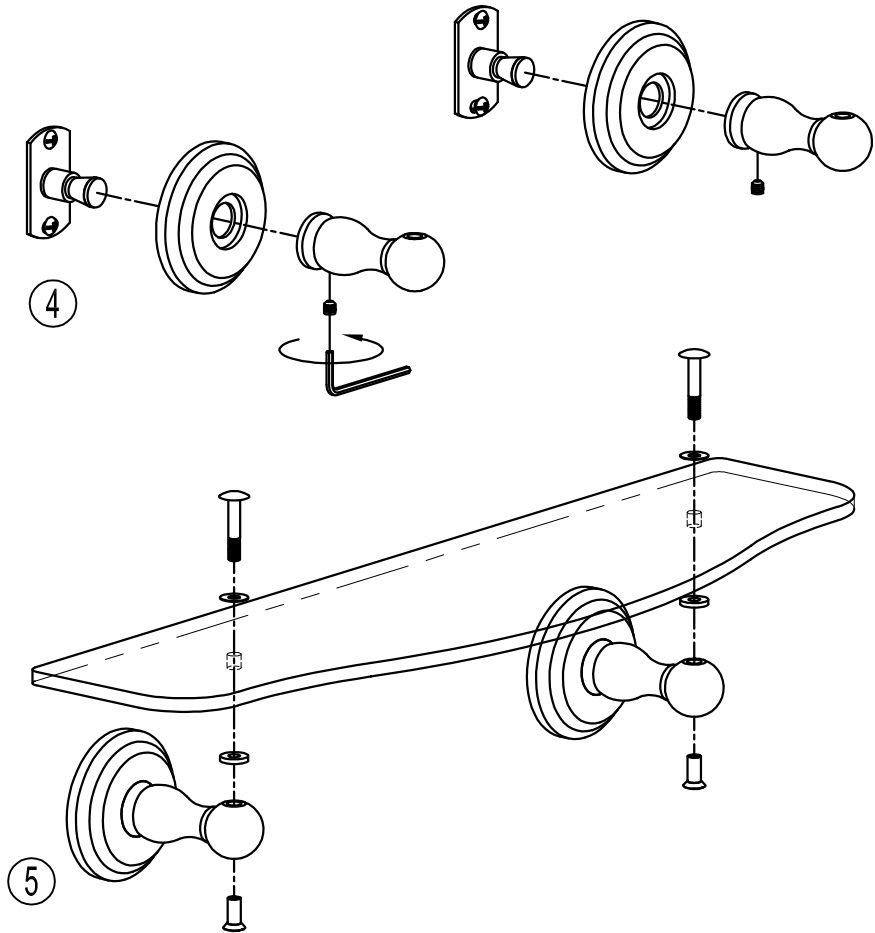
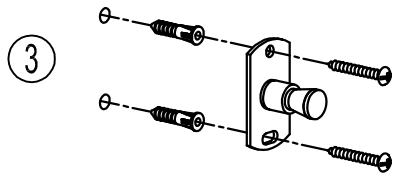
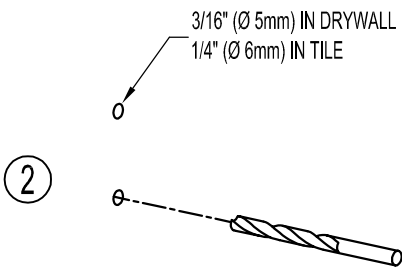
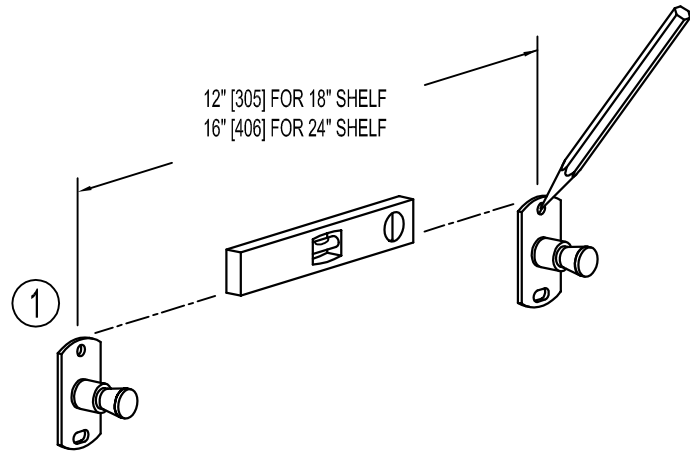
www.gingerco.com





TRADITIONAL SHELF INSTALLATION INSTRUCTIONS

CHELSEA/CANTERBURY



CARE OF FINE BRASS

To clean, use warm water only.

NEVER use abrasives or detergents.