

*Complement
your purchase
with these
fine accessories
also from
GINGER®:*

*Towel Bars
Towel Rings
Toilet Tissue Holders
Hooks
Soap Dishes
Tumbler Holders
Toiletry Shelves
Grab Bars
Mirrors
Lights
Bud Vases
Hotel Shelves
Shower Curtain Rods
Soap & Bottle Baskets
Cabinet Hardware*

Circa

INSTALLATION
INSTRUCTIONS

For
GRAB BAR

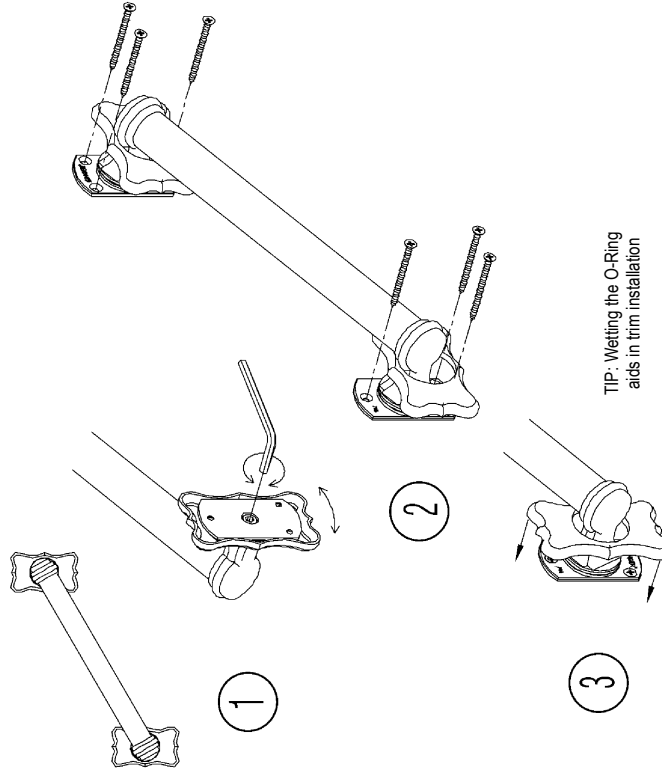
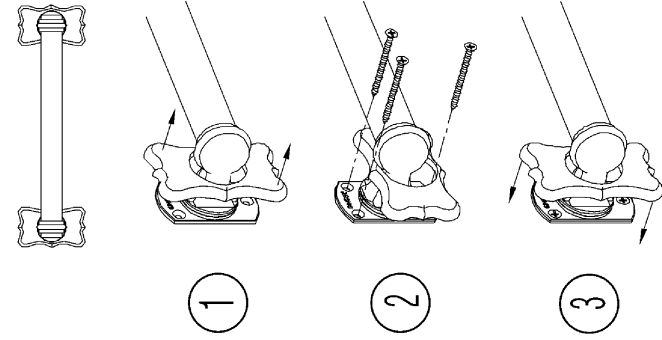


460-N Greenway Industrial Drive
Fort Mill, SC 29708



CIRCA

GRAB BAR INSTALLATION INSTRUCTIONS



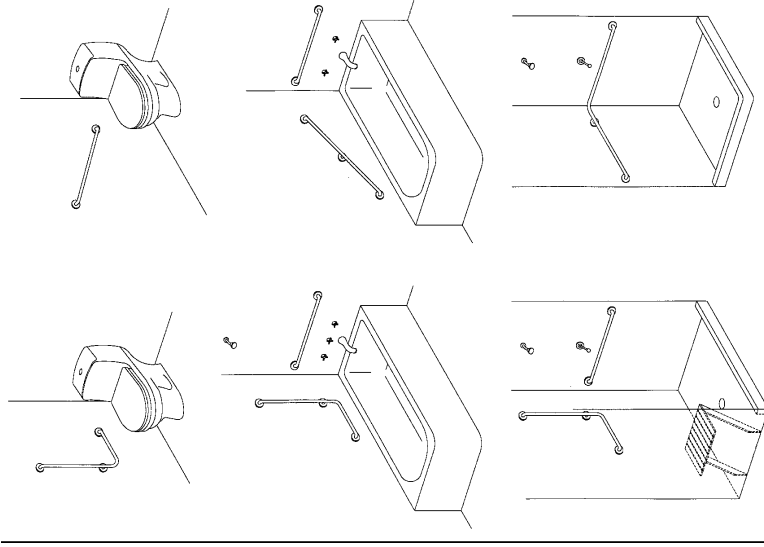
INSTALLATION NOTES:

The No. 10 x 2 1/2" stainless steel screws that we provide are for installation into wood. Fasteners for other applications should be provided by the installer. Use flat head fasteners only.

Ginger® Grab Bars have been tested to withstand and exceed loads mandated by the American's with disabilities act and ASTM F446. However, it is the responsibility of the architect, builder and installer to ensure that the mounting area is secure and that proper mounting hardware is used.

To protect the finish of the grab bar during installation, do not remove the protective plastic until installation is complete.

APPLICATIONS



GINGER®