
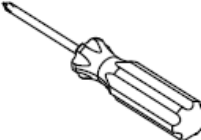

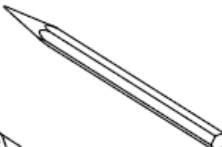

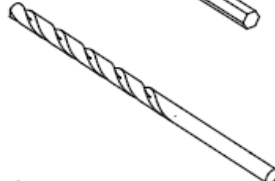

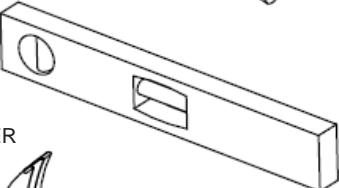

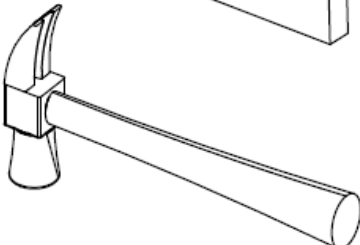

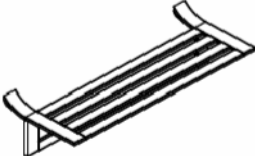


ITEMS INCLUDED	TOOLS REQUIRED
DRY WALL ANCHOR X 6 	PHILLIPS SCREW DRIVER 
TILE ANCHOR X 6 	PEN / PENCIL 
#8 SCREW X 6 	1/4" (6 mm) DRILL 
MOUNTING BRACKET X 2 	LEVEL SET 
1/4-28 SET SCREW X 2 	HAMMER 
1/8" HEX KEY X 1 	
HOTEL SHELF WITH TOWEL BAR X 1 	

CINU

INSTALLATION INSTRUCTIONS

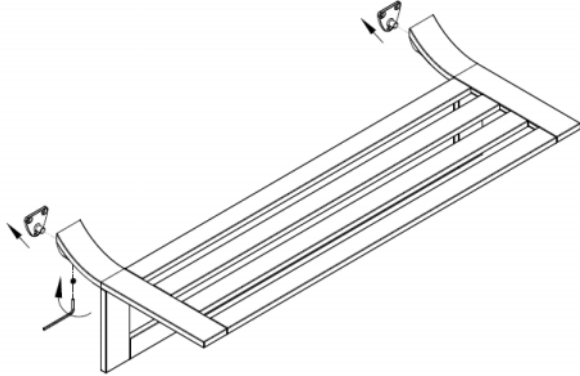
4743-24

HOTEL SHELF WITH TOWEL BAR

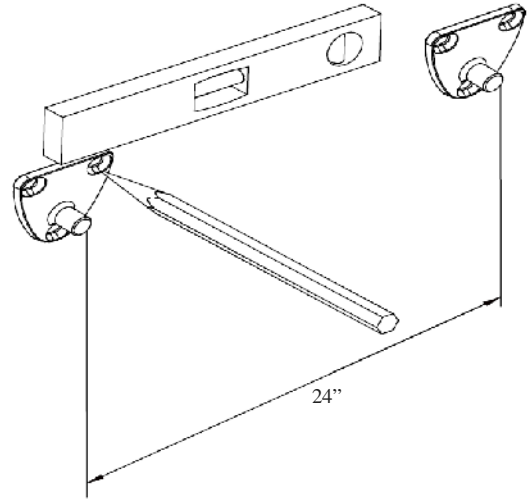
GINGER
Luxury For Your Lifestyle™

2001 CARNEGIE AVE, SANTA ANA CA 92705
 (949) 417-5207
 WWW.GINGERCO.COM

① REMOVE MOUNTING BRACKETS

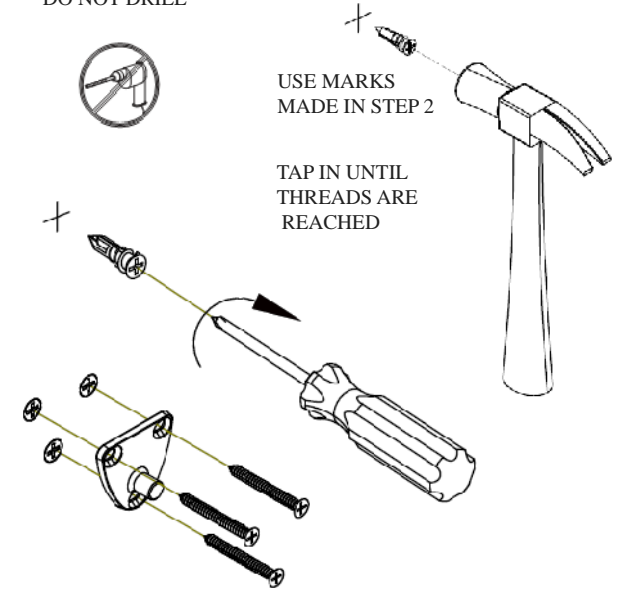


② ALIGN MOUNTING BRACKETS AND MARK LOCATION



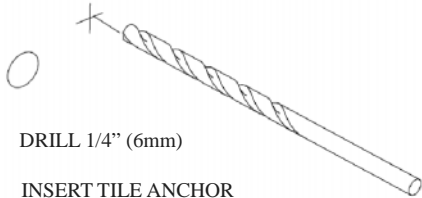
③ DRY WALL INSTALLATION

DO NOT DRILL



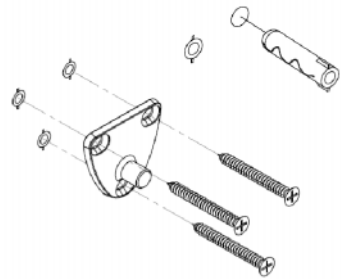
④ TILE OR SOLID WALL INSTALLATION

USE MARKS MADE IN STEP 2

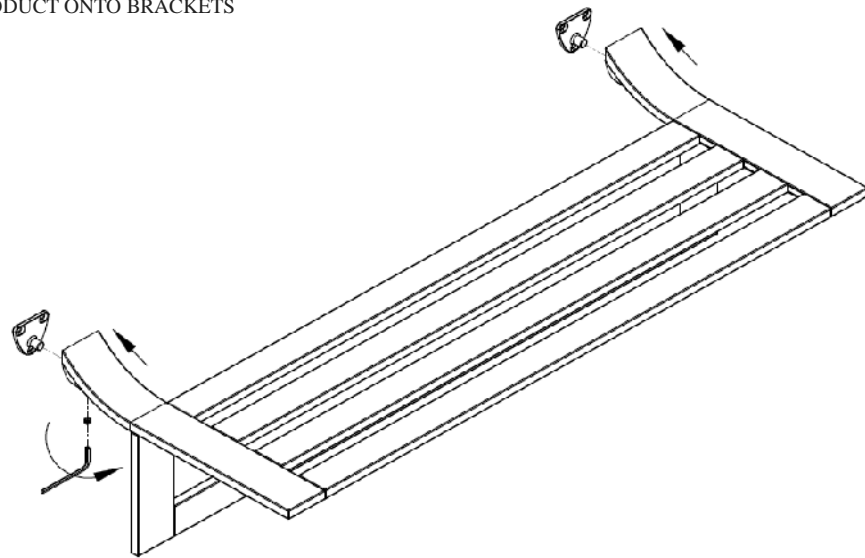


DRILL 1/4" (6mm)

INSERT TILE ANCHOR



⑤ INSTALL PRODUCT ONTO BRACKETS



SECURE WITH SET SCREW