
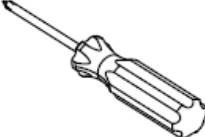



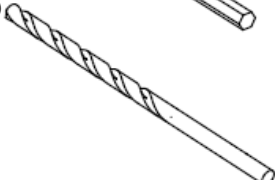

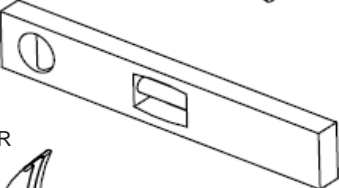

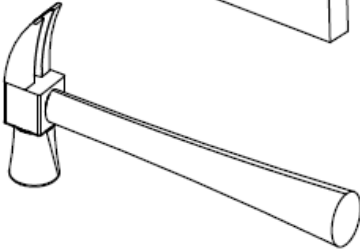




ITEMS INCLUDED	TOOLS REQUIRED
DRY WALL ANCHOR  X 4	PHILLIPS SCREW DRIVER 
TILE ANCHOR  X 4	PEN / PENCIL 
#8 SCREW  X 4	1/4"(6 mm) DRILL 
MOUNTING BRACKET  X 2	LEVEL SET 
1/4-28 SET SCREW  X 2	HAMMER 
1/8" HEX KEY  X 1	
TOWEL BAR  X 1	

# CINU

## INSTALLATION INSTRUCTIONS

4702 4703

TOWEL BAR

**GINGER**  
*Luxury For Your Lifestyle™*

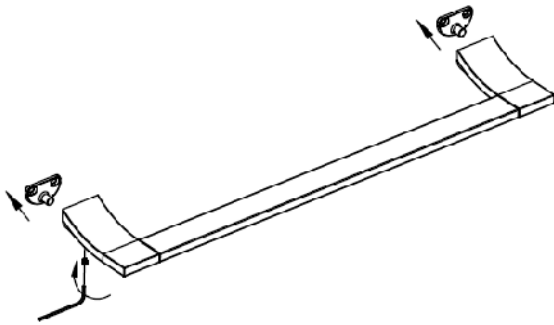
2001 CARNEGIE AVE, SANTA ANA CA 92705

(949) 417-5207

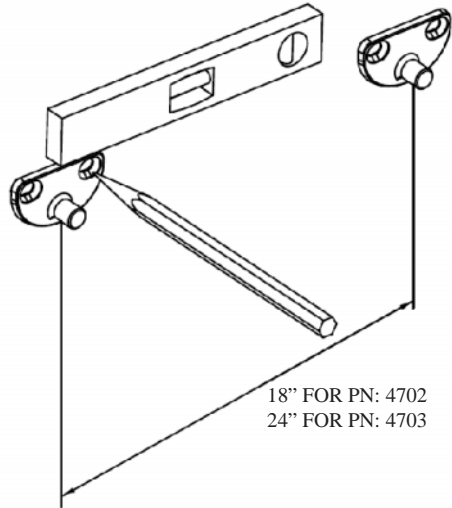
WWW.GINGERCO.COM

GNG - 4702 4703  
 EN-1294  
 REV -

① REMOVE MOUNTING BRACKETS

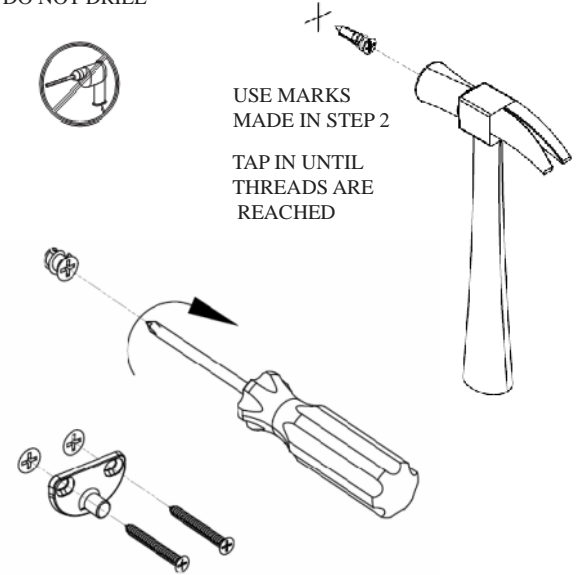


② ALIGN MOUNTING BRACKETS AND MARK LOCATION



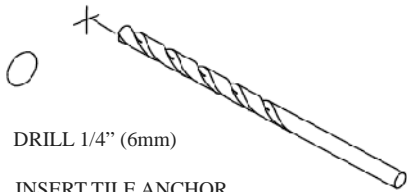
③ DRY WALL INSTALLATION

DO NOT DRILL

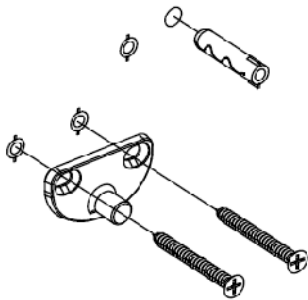


④ TILE OR SOLID WALL INSTALLATION

USE MARKS MADE IN STEP 2



INSERT TILE ANCHOR



⑤ INSTALL PRODUCT ONTO BRACKETS

