

Features

- Solid brass construction
- Two-post design
- Complements Hotelier product series

Grab Bar 0360

Also 0361, 0362, 0363, 0364, 0365

Codes / Standards Compliance

Meets or exceeds the following at date of manufacture:

- All applicable US Federal and State material regulations
- ADA

Colors / Finishes

- PC: Polished Chrome
- SN: Satin Nickel
- Other: NA



Specified Model

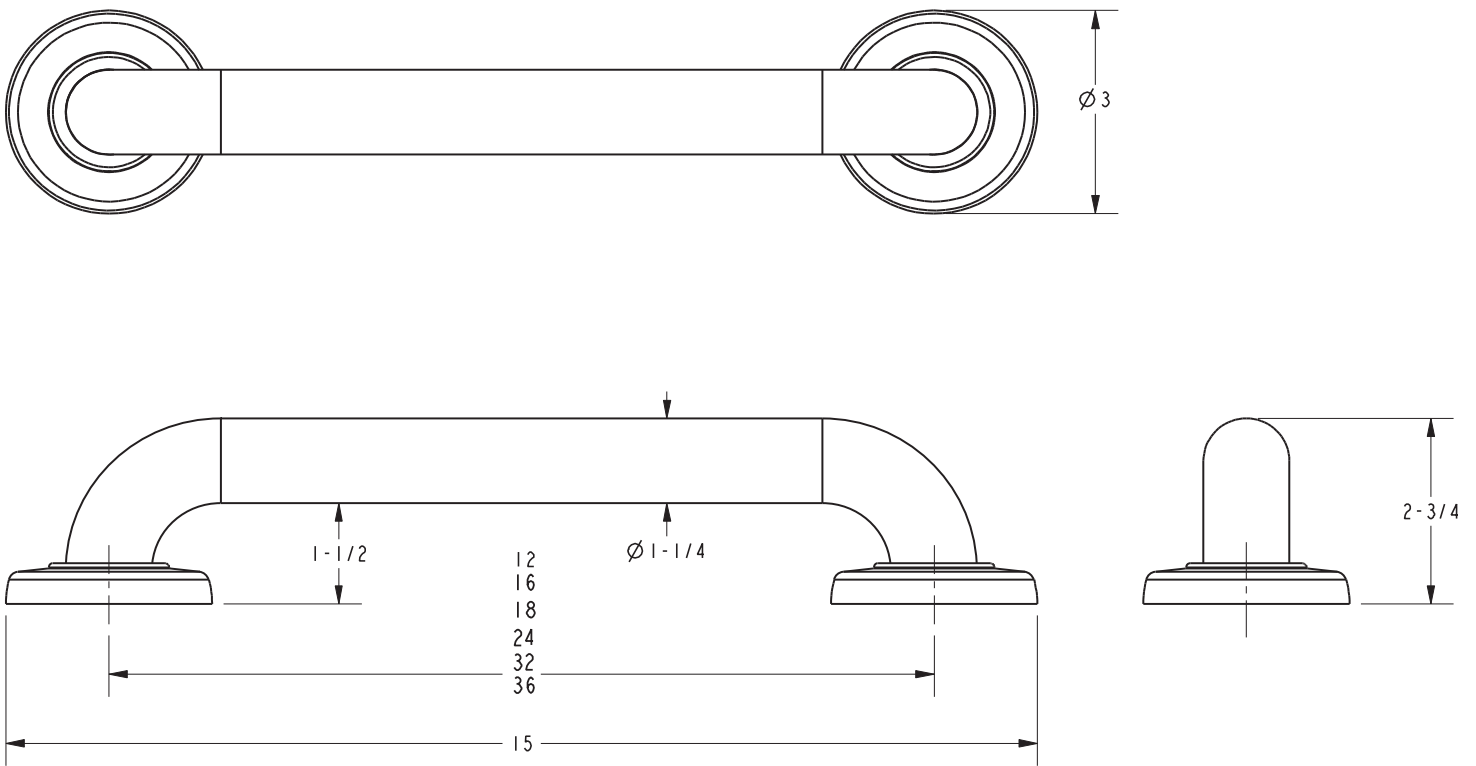
Model	Description	Colors Finishes
0360	12" Grab Bar	<input type="checkbox"/> PC <input type="checkbox"/> SN
0361	16" Grab Bar	<input type="checkbox"/> PC <input type="checkbox"/> SN
0362	18" Grab Bar	<input type="checkbox"/> PC <input type="checkbox"/> SN
0363	24" Grab Bar	<input type="checkbox"/> PC <input type="checkbox"/> SN
0364	32" Grab Bar	<input type="checkbox"/> PC <input type="checkbox"/> SN
0365	36" Grab Bar	<input type="checkbox"/> PC <input type="checkbox"/> SN

Product Specification: Add "Length Indicator and Color / Finish" suffix to Model number, below.

The Grab Bar shall be made of solid brass construction. Grab Bar shall complement Ginger Hotelier product series. Grab Bar shall be Ginger Model 036___/____.

0360, 0361, 0362, 0363, 0364, 0365

Product Dimensions *(units are in inches)*



 **MEETS OR EXCEEDS ASTM F446 STANDARDS AND CONFORMS TO ADA GUIDELINES.**

Hotelier Grab Bar
0360, 0361, 0362, 0363, 0364, 0365

GINGER