

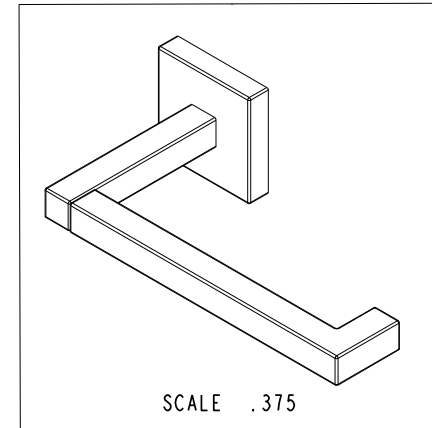
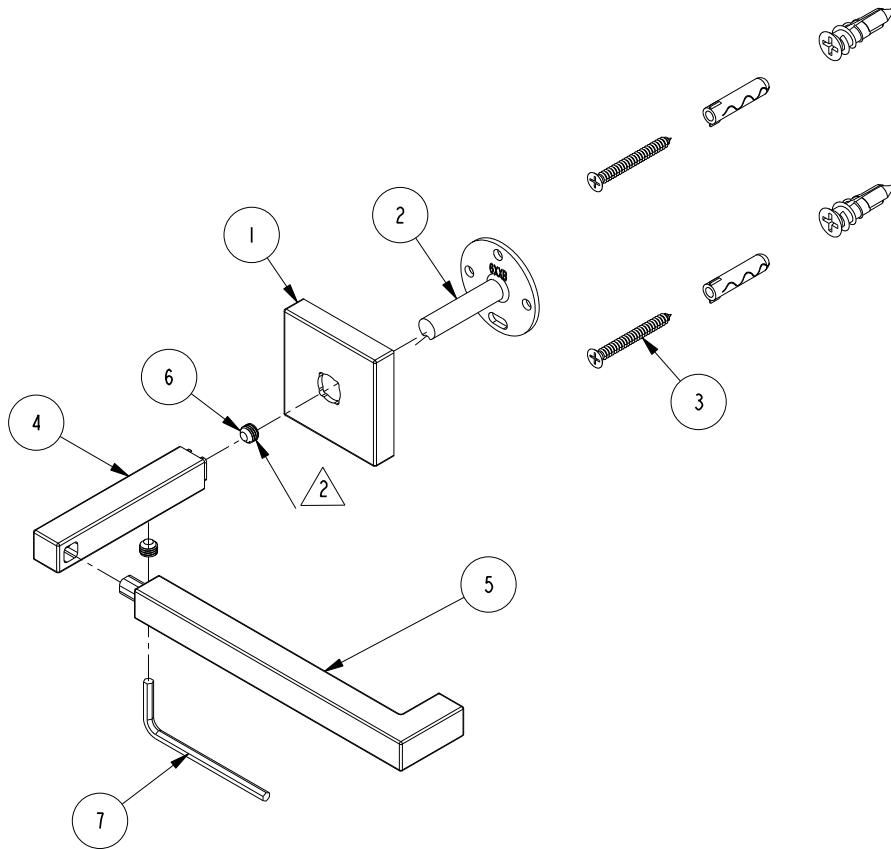
NOTES:

(N1) 1. FIT / FORM / FUNCTION SHALL FOLLOW PS-E.008.

(N2)  APPLY LOCTITE 680.

BILL OF MATERIAL (CURRENT LEVEL)

ITEM	PT/ASSY	DESCRIPTION	TYPE	QTY.
1	40596	ESCUTCHEON	PART	1
2	6XXB	MOUNTING BRACKET	PART	1
3	1-206	HARDWARE PACK	ASSEMBLY	1
4	40598	POST - LEFT	PART	1
5	40601	TISSUE ARM	PART	1
6	92563	SCRW, 1/4-28 X 3/16 SKT HD CUP PT SS	PART	2
7	92422	HEX KEY, 1/8" ALLOY STEEL	PART	1



TESTING	-	-	-
ASSEMBLY	-	-	-
PLATING	-	-	-
POLISHING	-	NEXT ASSY	USED ON
MACHINING	-	APPLICATION	
TOOLING FIXTURE #	REMOVE ALL BURRS AND SHARP EDGES		

UNITS ARE: INCHES [MM]
 TOLERANCES ARE:
 FRACTIONS DECIMALS ANGLES
 ±1/16" .X ±.1 [2.5] ±1°
 .XX ±.06 [1.5]
 (X.XXX) DENOTES CRITICAL DIMS.
 ALL THREADS ARE CRITICAL

BRASSTECH 2001 CARNEGIE AVE.
 INCORPORATED SANTA ANA, CA 92705
 (949) 417-5207

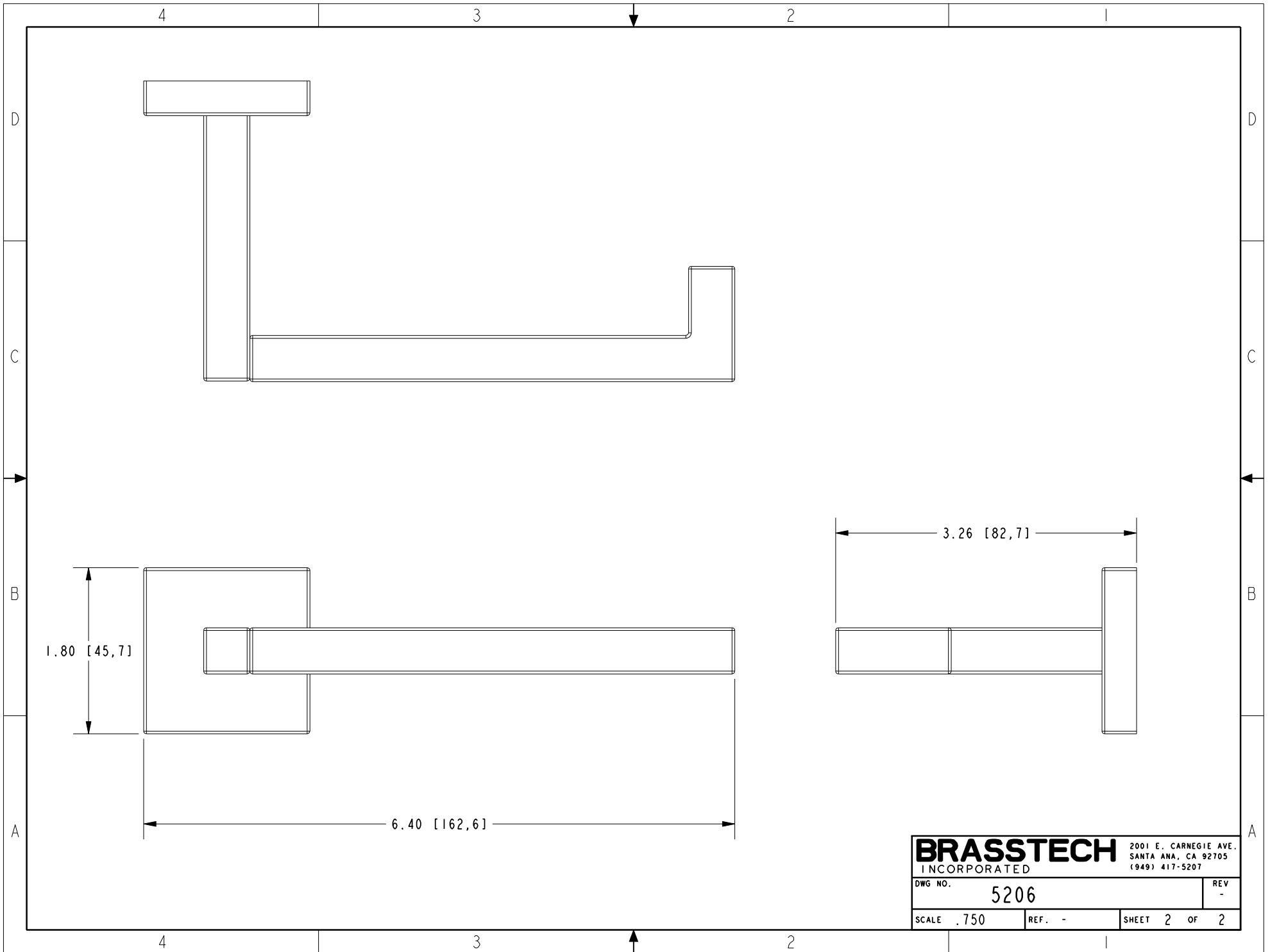
SINGLE POST TT HOLDER

-	-	EN-2846	11/06/15	J.M.
ZONE	REV	DESCRIPTION	DATE	APPROVED

COPYRIGHT 2005 BRASSTECH, INC.
 THESE DRAWINGS AND THE DESIGNS
 DEPICTED HEREIN ARE THE PROPRIETARY
 PROPERTY OF BRASSTECH. ANY USE
 OR REPRODUCTION IS SUBJECT TO
 THE EXPRESS APPROVAL OF BRASSTECH.
 UNAUTHORIZED USE IS STRICTLY
 PROHIBITED. ALL RIGHTS RESERVED.

DRAWN	R.S.	11/06/15
CHECKED	J.M.	11/06/15
APPROVED	J.M.	11/06/15

DWG NO.	5206	REV	-
SCALE	.375	REF.	-
SHEET	1	OF	2



BRASSTECH		2001 E. CARNEGIE AVE.
INCORPORATED		SANTA ANA, CA 92705
		(949) 417-5207
DWG NO.	5206	REV -
SCALE .750	REF. -	SHEET 2 OF 2