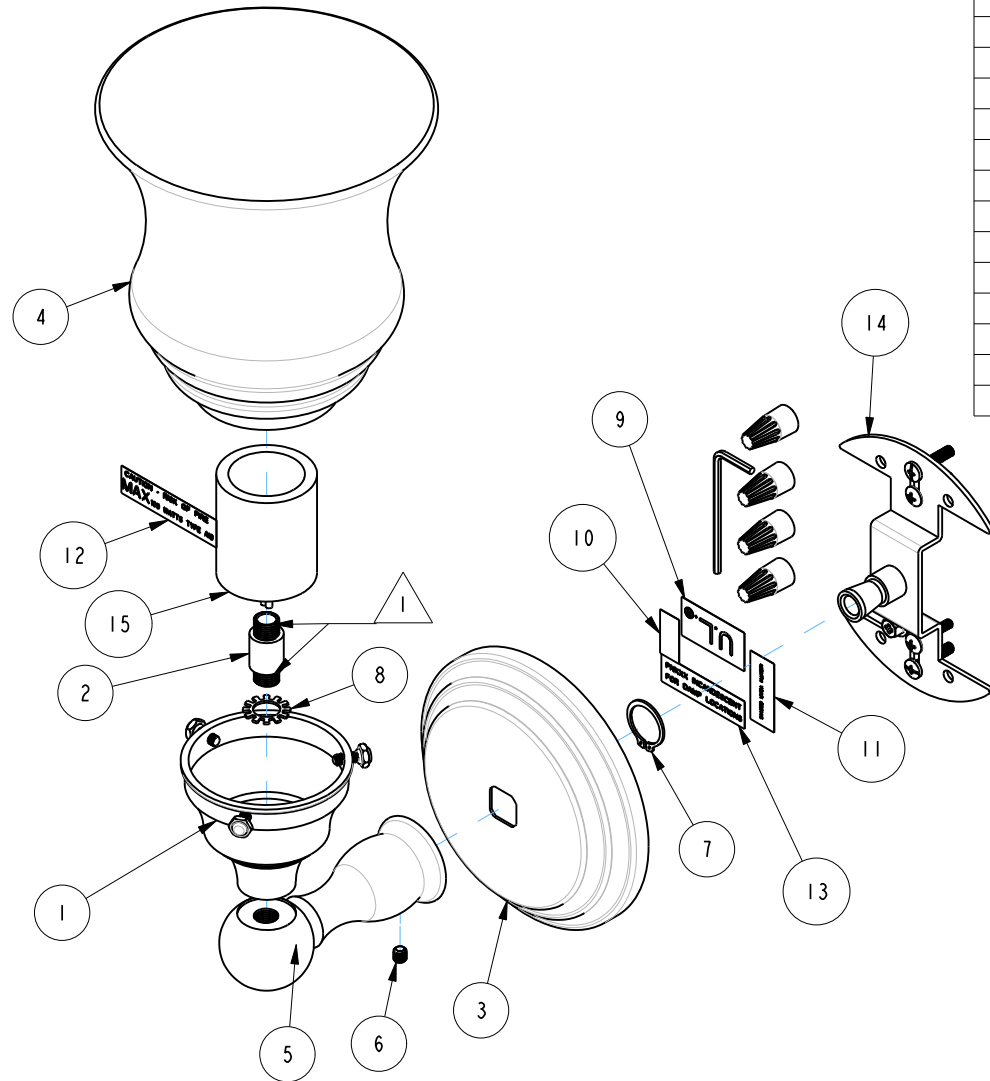
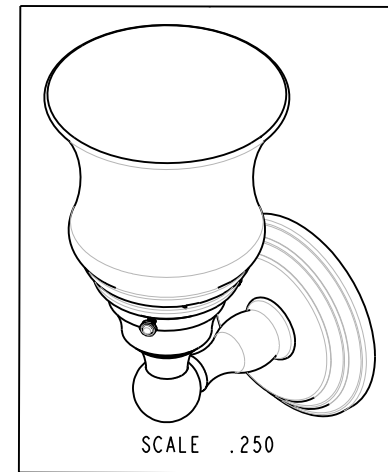


1 APPLY LOCTITE 680



**BILL OF MATERIAL (CURRENT LEVEL)**

ITEM	PT/ASSY	DESCRIPTION	TYPE	QTY.
1	0182-LC	LAMP HOLDER CUP ASSEMBLY	ASSEMBLY	1
2	0182-N	1/8" x 1-1/8" PIPE NIPPLE W/SHOULDER	PART	1
3	1181-RB	CHELSEA BASE	PART	1
4	1181-TG-E	SATIN ETCHED CLEAR GLASS SHADE	PART	1
5	1182-1P	SINGLE LIGHT POST	PART	1
6	92308	SCRW, M5 X 5 SKT HD CUP PT SS	PART	1
7	92318	SNAP RING, 17MM X 1MM STEEL EXTERNAL	PART	1
8	92379	WSHR, 10.5 ID X 18 OD X 0.9MM THK, EXT. TOOTH LOCK, SS	PART	1
9	98006	LABEL, UL LISTED	PART	1
10	98012	LABEL, WALL MOUNT ONLY	PART	1
11	98079	LABEL, MONTH YEAR E163986	PART	1
12	98101	LABEL, 100 WATTS MAX	PART	1
13	98113	LABEL, PNXXX INCANDESCENT FOR DAMP LOCATIONS	PART	1
14	CB-002	LIGHT MOUNTING PACK	ASSEMBLY	1
15	ML4-18	PORCELAIN LAMPHOLDER	PART	1



COPYRIGHT 2005 GINGER. THESE DRAWINGS AND THE DESIGNS DEPICTED HEREIN ARE THE PROPRIETARY PROPERTY OF GINGER. ANY USE OR REPRODUCTION IS SUBJECT TO THE EXPRESS APPROVAL OF GINGER. UNAUTHORIZED USE IS STRICTLY PROHIBITED. ALL RIGHTS RESERVED.

**GINGER**

2001 E. CARNEGIE AVE.  
SANTA ANNA CA 92705  
(949) 417-5207

LIGHT WITH SATIN ETCHED GLASS

ASSY. NO.

1182-1

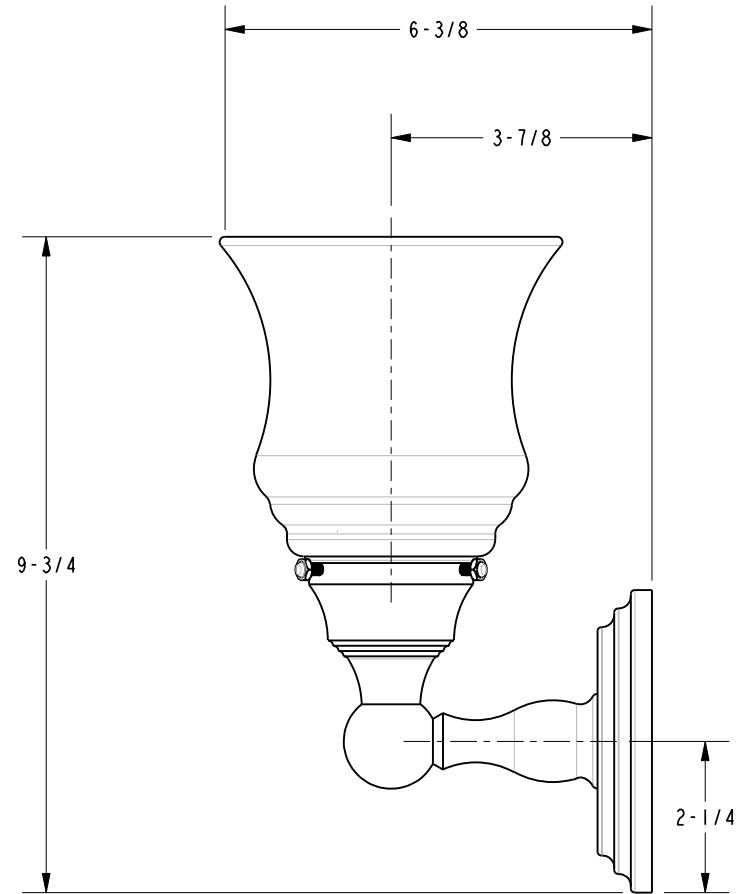
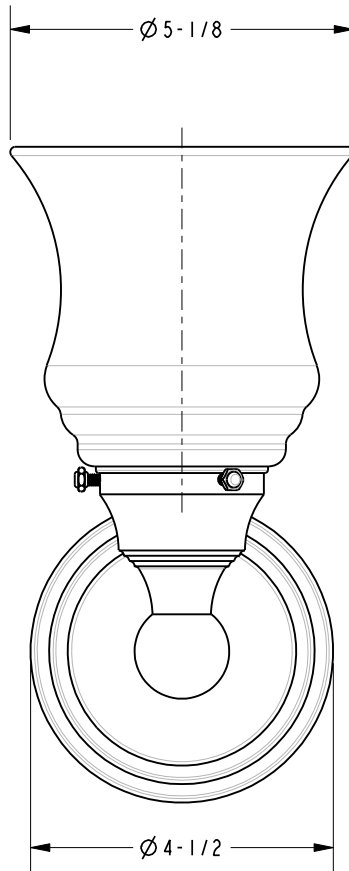
SCALE .350

REF. -

SHEET 1 OF 2

B	EN-2352	11/12/12
A	EN-1008	10/09/09
REV	REV DESC	DATE

SPECIFICATION DWG



DIMENSIONS ARE IN INCHES AND AN APPROXIMATION OF A TYPICAL INSTALLATION

COPYRIGHT 2005 GINGER. THESE DRAWINGS AND THE DESIGNS DEPICTED HEREIN ARE THE PROPRIETARY PROPERTY OF GINGER. ANY USE OR REPRODUCTION IS SUBJECT TO THE EXPRESS APPROVAL OF GINGER. UNAUTHORIZED USE IS STRICTLY PROHIBITED. ALL RIGHTS RESERVED.

<b>GINGER</b>		2001 CARNEGIE AVE. SANTA ANA, CA 92705 (949) 417-5207	
DWG NO.	1182-1	REV	B
SCALE	.350	REF.	-
		SHEET	2 OF 2