

CHELSEA CANTERBURY

INSTALLATION
INSTRUCTIONS

for

GALLERY SHELF

*Complement
your purchase
with these
fine accessories
also from
GINGER®:*

Towel Bars

Towel Rings

Toilet Tissue Holders

Hooks

Soap Dishes

Tumbler Holders

Toiletry Shelves

Grab Bars

Mirrors

Lights

Bud Vases

Hotel Shelves

Shower Curtain Rods

Soap & Bottle Baskets

Cabinet Hardware



460-N Greenway Industrial Drive
Fort Mill, SC 29708

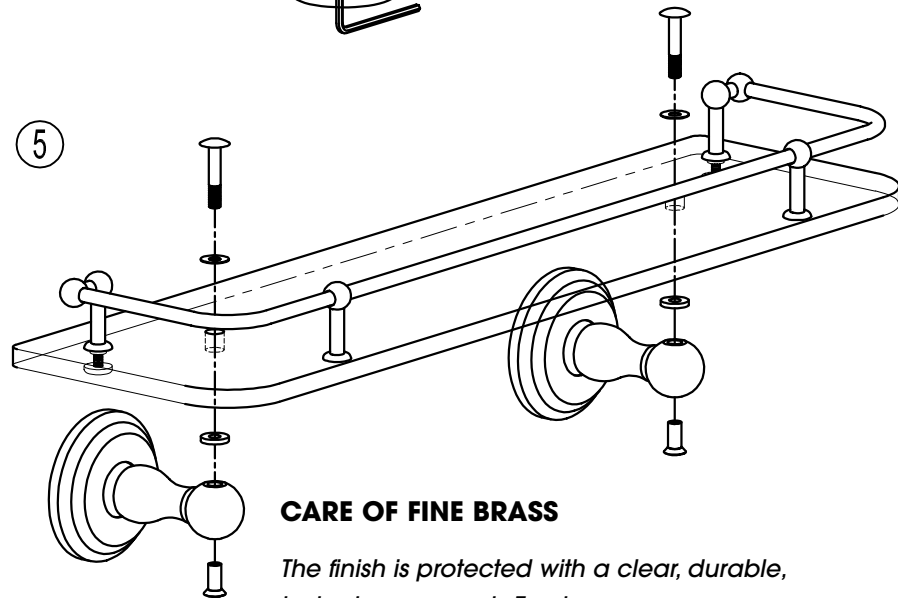
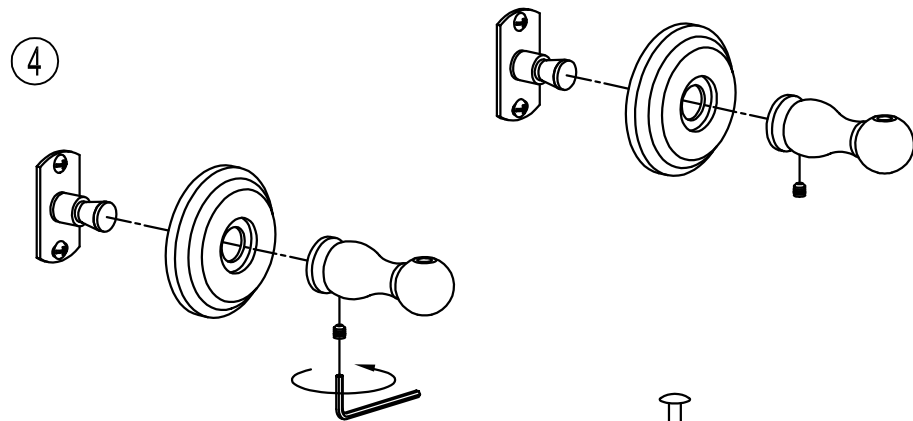
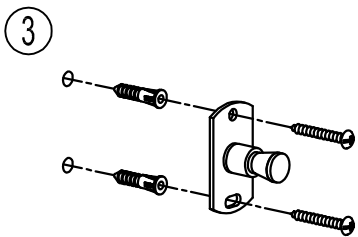
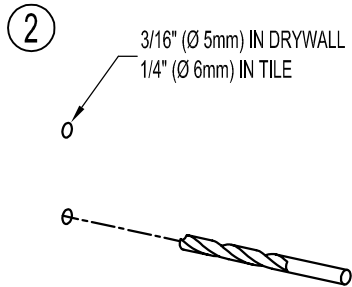
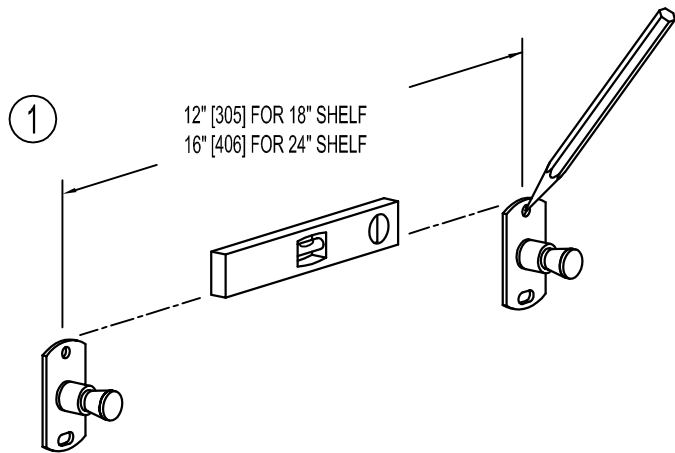
www.gingerco.com





GALLERY SHELF INSTALLATION INSTRUCTIONS

CHELSEA/CANTERBURY



CARE OF FINE BRASS

The finish is protected with a clear, durable, baked-on enamel. To clean, use warm soapy water, and dry with a soft cloth. Occasional paste waxing is also recommended. NEVER use brass polish, abrasives or abrasive wax.