

# CHELSEA CANTERBURY

INSTALLATION  
INSTRUCTIONS

*for*

TRADITIONAL  
SHELF

1134/1534

GINGER®

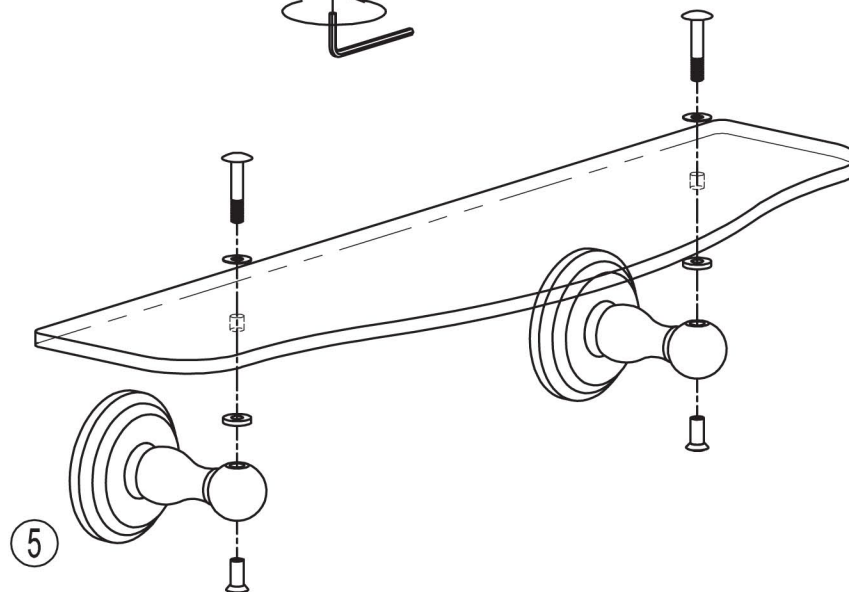
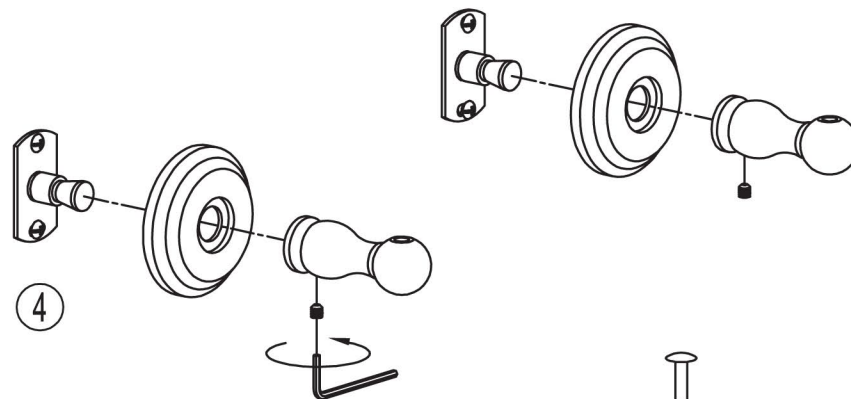
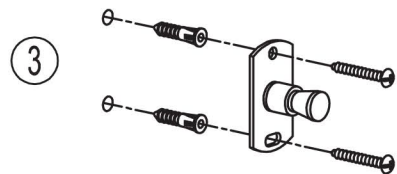
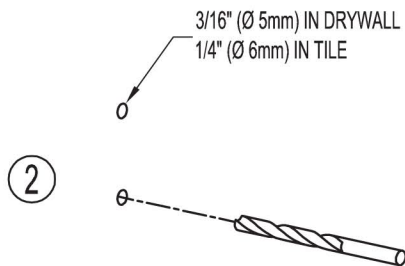
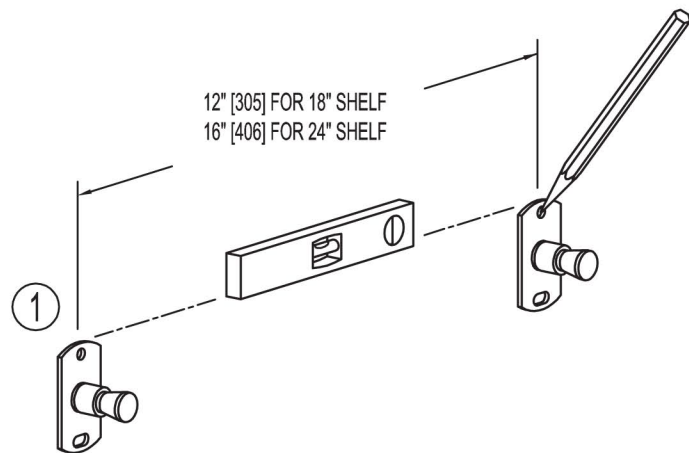
# GINGER®

2001 CARNEGIE AVE  
SANTA ANA CA 92705  
949-417-5207  
www.gingerco.com

## INSTALLATION INSTRUCTIONS

Chelsea/Canterbury Traditional Shelf

1134/1534



### CARE OF FINE BRASS

To clean, use warm water only.  
NEVER use abrasives or detergents.