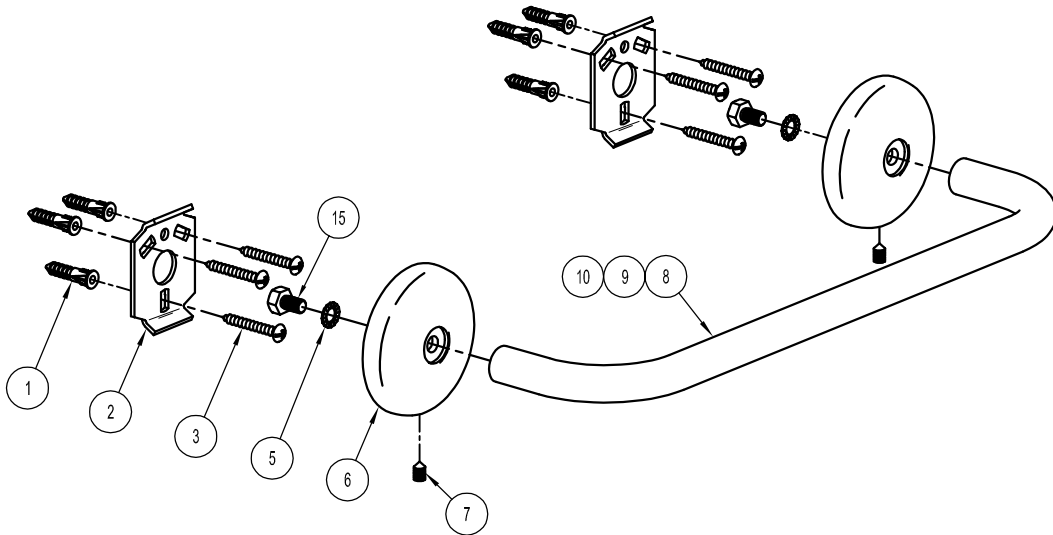


HOTELIER

ITEM	PART NAME	PART NO.
1	No.8 WALL ANCHOR	CA
2	MOUNTING BRACKET	
3	No.8 X 1-1/4" TAPPING SCREW	8-1.2CPZ
4	M6 x 10 SCREW	
5	M6 LOCK WASHER	
6	ROSETTE	*
7	M5 X 8 SET SCREW	M5-8SCS
8	12" TOWEL BAR	*
9	18" TOWEL BAR	*
10	24" TOWEL BAR	*
11	M6 X 10 SCREW	M6-10CWZ
12	ROSETTE-HOOK	*
13	GLASS SHELF POST	*
14	M8 SOFT POINT SET SCREW	*
15	18" SHELF GLASS	0334/18TSCL
16	24" SHELF GLASS	0334/24TSCL



* REQUIRES FINISH CODE

HOTELIER FINISHES:

- 15 SATIN NICKEL
- 26 POLISHED CHROME
- MC MATTE CHROME

