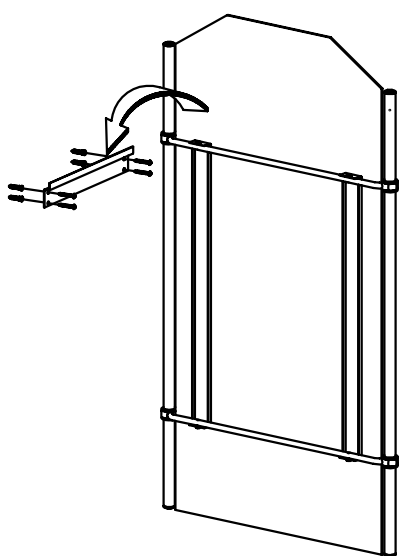
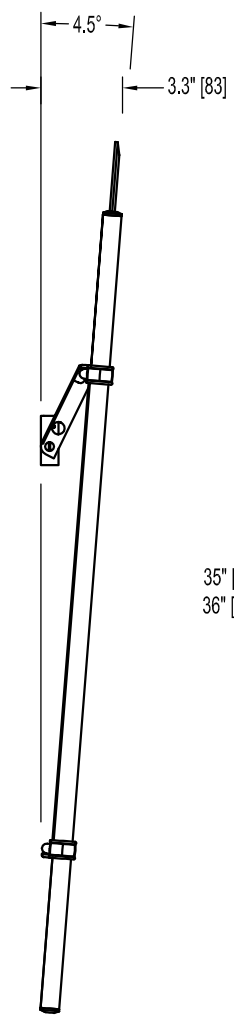


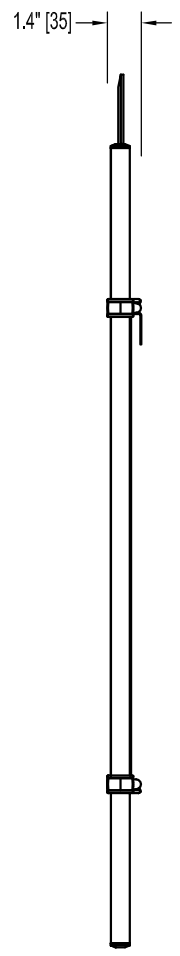
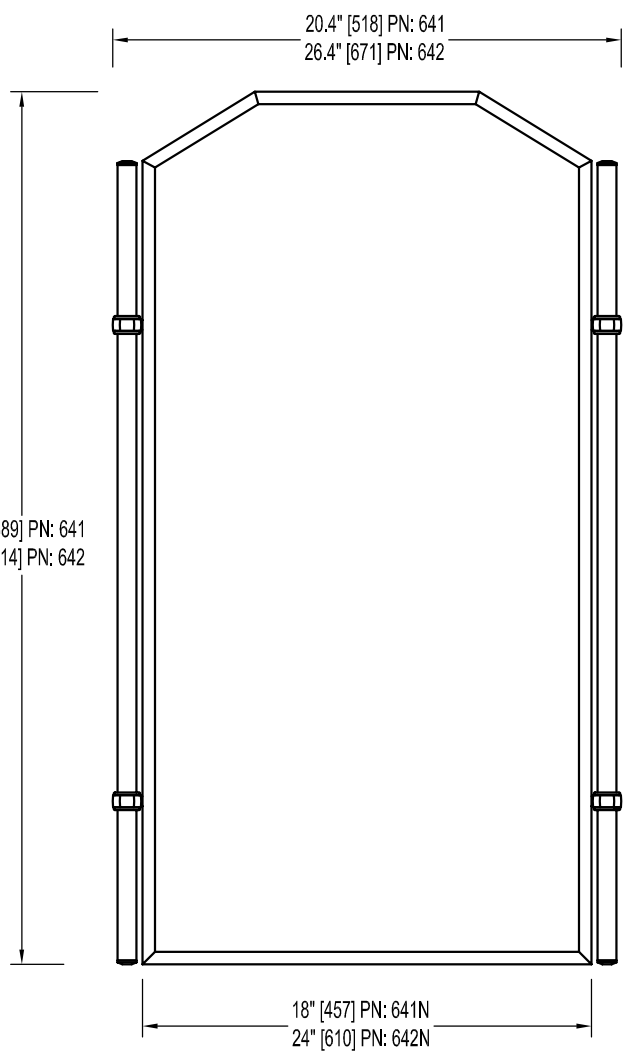
SHOWN WITH TILTING OPTION



SHOWN WITH STANDARD MOUNT



SHOWN WITH OPTIONAL
MTM-009 TILTING MECHANISM



SHOWN WITH STANDARD MOUNT

EMPIRE MIRRORS

DESCRIPTION	PART NO.
SMALL FRAMED (20.4" W)	641
LARGE FRAMED (26.4" W)	642
SMALL FRAMELESS (18" W)	641N
LARGE FRAMELESS (24" W)	642N

ACCESSIBLE WITH TILTING MECHANISM

FINISHES: 3-POLISHED BRASS, 14-POLISHED NICKEL, 15-SATIN NICKEL, 26-POLISHED CHROME, 26/3-COMBINATION, 15/3-COMBINATION	
MATERIAL: SOLID BRASS TRIM, GLASS MIRROR, PLATED STEEL HARDWARE	WEIGHT: (18" - 641) 17 LBS. 1 OZ. [7.7 KG.]
PART NO. 641 ~ 642	MIRROR
DATE: 05.NOV.01	REV. .
SCALE 1:8	EMPIRE

DWG.NO. PD-641